

SPARE PARTS CATALOGUE

WEED MOWER Mod.: ECOSPRINT

ECOSPRINT[®]



ECOSPRINT[®] / D



ECOSPRINT[®] / EASY



ECOSPRINT[®] / M



TABLE OF CONTENT

IMPORTANT WARNINGS	3
MACHINE IDENTIFICATION.....	3
RIGHT HEAD.....	4
LEFT HEAD.....	8
4D COIL (SINCE 04/2017).....	12
ALUMINIUM 4D COIL (SERIAL NO. 96630 10/2019)	13
ECOSPRINT FRAME.....	14
FRAME	16
FRAME	18
SUPPORT ON MULCHER	20
RUBBER WHEEL.....	21
SLOPE JOINT KIT.....	22
HYDRAULIC 1 LEVER ECOSPRINT – NO EXCHANGER	24
HYDRAULIC 1 LEVER ECOSPRINT – EXCHANGER	28
HYDRAULIC 4 LEVER ECOSPRINT – EXCHANGER	32
HYDRAULIC ECOSPRINT WITH 4 CONTROLS JOYSTICK – EXCHANGER.....	36
ECOSPRINT HYDRAULIC.....	40

IMPORTANT WARNINGS

For orders of spare parts it is always necessary to indicate the following data:

- machine model,
- serial number,
- item code,
- corresponding name,
- number of pieces,
- instructions for shipments.

If the above data are missing or there is any uncertainty about the choice of the spare part, to avoid misunderstandings, it is advisable to accompany the order with all the possible information or to deliver the damaged part to us.

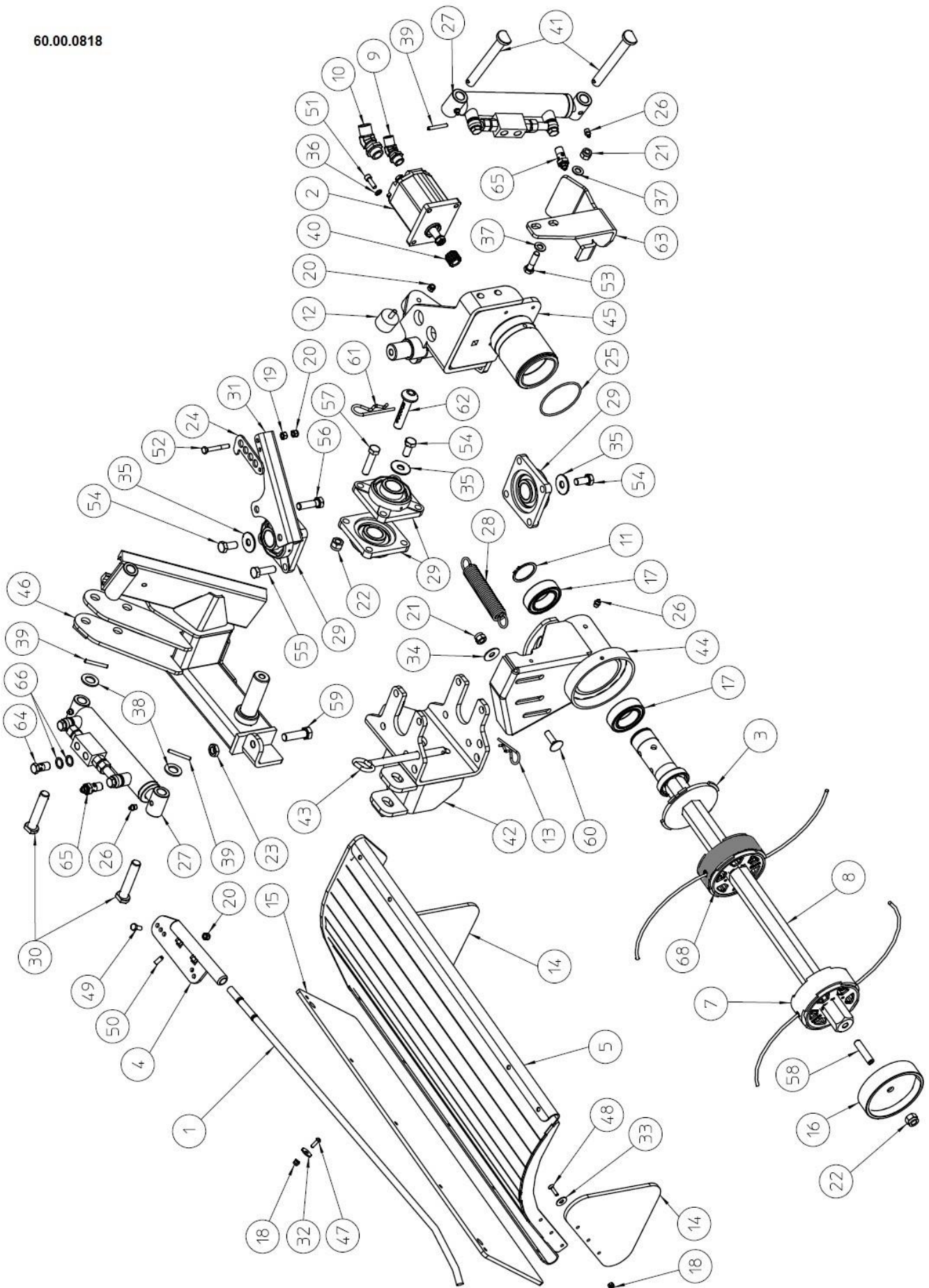
MACHINE IDENTIFICATION

The model and serial number are shown on the metal plate attached to the machine.



RIGHT HEAD

60.00.0818



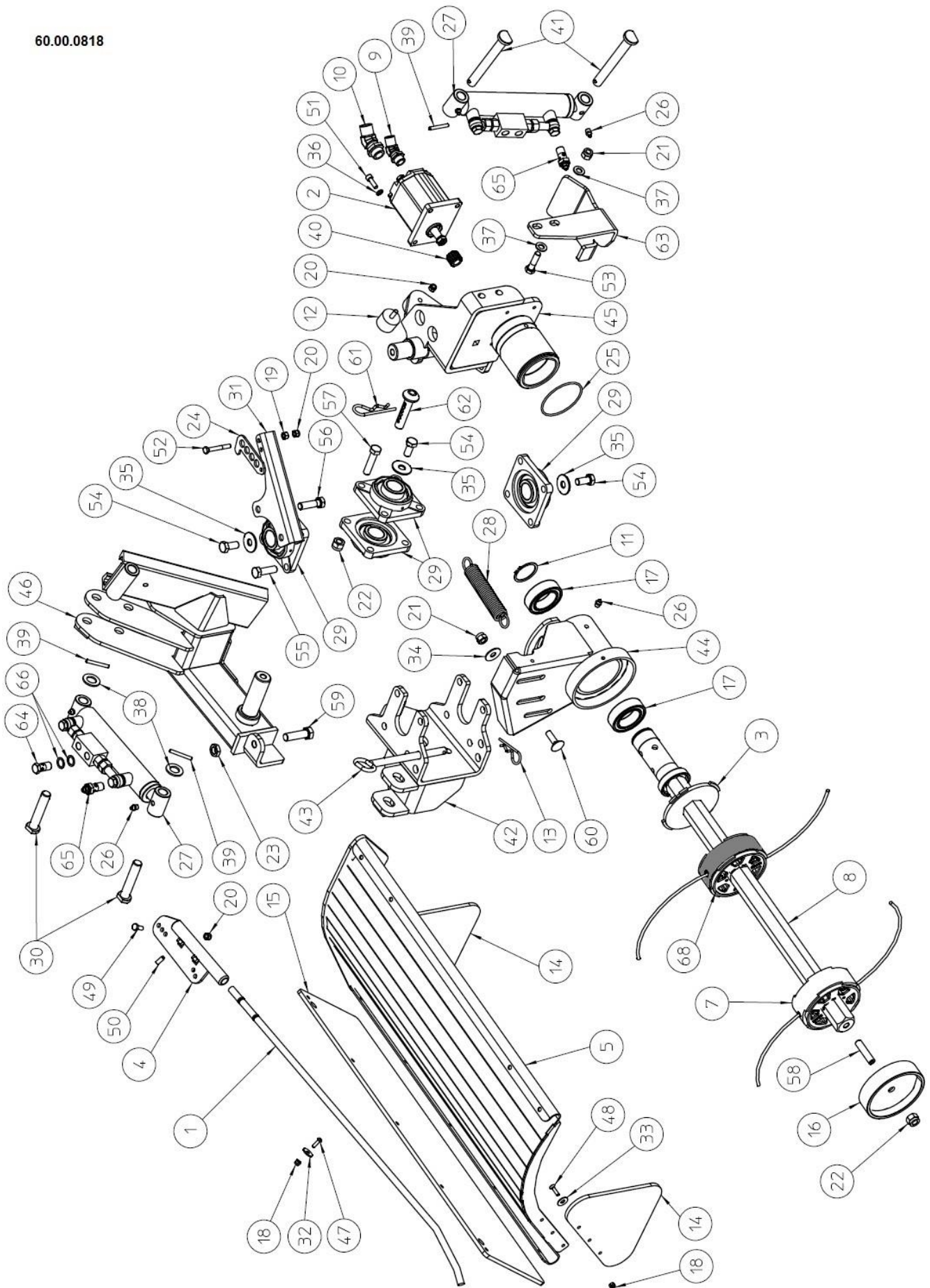
RIGHT HEAD

Ref.	CODE	DESCRIPTION	90/140	140/240
1	010100024	ECOSPRINT 750 STEEL CASING ROD	1	1
2	040500003	RIGHT GEAR MOTOR COVER COUPLING GR2 26CC	1	1
3	160200766	ECOSPRINT 4D COIL DRIVE DISC	1	1
4	161800671	ECOSPRINT METAL ROD RIGHT SUPPORT	1	1
5	161800155	ECOSPRINT 750 RIGHT HARDOX HOOD	1	1
7	850100042	4D ECOSPRINT WIRELESS COIL WITH BUSHES	16 (15**)	16 (15**)
8	AE/6353	ECOSPRINT HEXAGONAL COILS HOLDER SHAFT L=750	1	1
9	AF4512MMG	45° FORGED ADJUSTABLE ADAPTER 1/2 M+ M	1	1
10	AF4534MMG	45° FORGED ADJUSTABLE ADAPTER 3/4 M+ M	1	1
11	ASE050	EXTERNAL SEEGER D.50 DIN471	1	1
12	AV4030	ANTI-VIBRATION PAD 40 H30 MP 8M-23	1	1
13	101100001	GALVANISED D4 SPRING SPLIT PIN	1	1
14	CP/7375	ECOSPRINT U-250 HOOD SIDE	2	2
15	CPP/7371	ECOSPRINT 750 U-250 REAR HOOD	1	1
16	CR/6384	ECOSPRINT ROTOR CLOSURE COVER	1	1
17	CRS0630102RS	63010 2RS RADIAL BALL BEARING	2	2
18	DE06AL6SPGZAB	GALV. HIGH SELF-LOCKING NUT M6 6S UNI 7473	11	11
19	DE08AL6SPGZ	GALV. HIGH NUT M8 6S UNI 5587	1	1
20	101500023	GALV. SELF-LOCKING NUT M08 -6S- UNI7473	3	3
21	101500034	GALV. HIGH SELF-LOCKING NUT M12 -10-UNI 7473	6	6
22	101500033	GALV. HIGH SELF-LOCKING NUT M14 -10- UNI7473	8	8
23	DE16BA6SPGN	BLACK LOW NUT M16 6S UNI5589	1	1
24	GM/6406	ECOSPRINT SPRING HOLDER HOOK	1	1
25	GOR4362	OR SEAL 4362 D.91.67X3.53	1	1
26	041000006	STRAIGHT GREASE NIPPLE M10x1	2	2
27	041500079	ECOSPRINT JACK D40 d25 C110 VB	1	-
27	041500029	ET/M-ET/FX JACK D40 d25 C150 VB	-	1
28	MO/6405	ECOSPRINT TRACTION SPRING	1	1
29	OZ.80.C.87.007	SUPPORT UCF – 207	4	4
30	PE 6430	ECOSPRINT CYLINDERS PIN D.19X82	2	2
31	PPD/6403	ECOSPRINT BENT RIGHT SPRING HOLDER	1	1
32	RF0624FZ	GALV. FLAT WASHER 6.5X24 U.6593	11	11
33	RF0824FZ	GALV. FLAT WASHER 8.5X24 U.6593	2	2
34	RF1236FZ	GALV. FLAT WASHER 12.5X36 U.6593	2	2
35	100600028	BLACK FLAT WASHER D16.5X48X3 U.6593	2	2
36	101500023	GALV. SELF-LOCKING NUT M08 -6S- UNI7473	1	1
37	RP12XXFZ	GALV. FLAT WASHER D.12 U.6592	2	2
38	100600008	GALV. FLAT WASHER D.20 UNI6592	2	2
39	101100007	GALVANISED ELASTIC PIN D6 L=50 DIN1481	4	4
40	SG015	SEMI-COUPLING Z15 PUMP GR. 2 KEY 3	1	1
41	SI/3515	GALV. HOOD PISTON PIN D.19 L.175	2	2
42	SOD/6398	ECOSPRINT RIGHT HORIZONTAL JOINT	1	1
43	SP15/6815	GALVANISED USEFUL PIN 15X183	1	1
44	SRD/6361	ECOSPRINT HOOD RIGHT ROTARY SUPPORT	1	1
45	SVD/6395	ECOSPRINT MOTOR HOLDER RIGHT VERTICAL JOINT	1	1
46	SVD/6459	FRUIT-USE ECOSPRINT RIGHT VERTICAL SUPPORT	1	1
47	V060206PG109Z	GALV. BUT. HEAD SCREW M6X20 10.9 UNI7380	5	5
48	V06025TF109Z	GALV. SCREW TSPEI M6X25 10.9 UNI5933	6	6
49	V080202TF088Z	GALV. SCREW TE M8X20 8.8 UNI5739	2	2

**with serial no. 96630 (10/2019)

RIGHT HEAD

60.00.0818



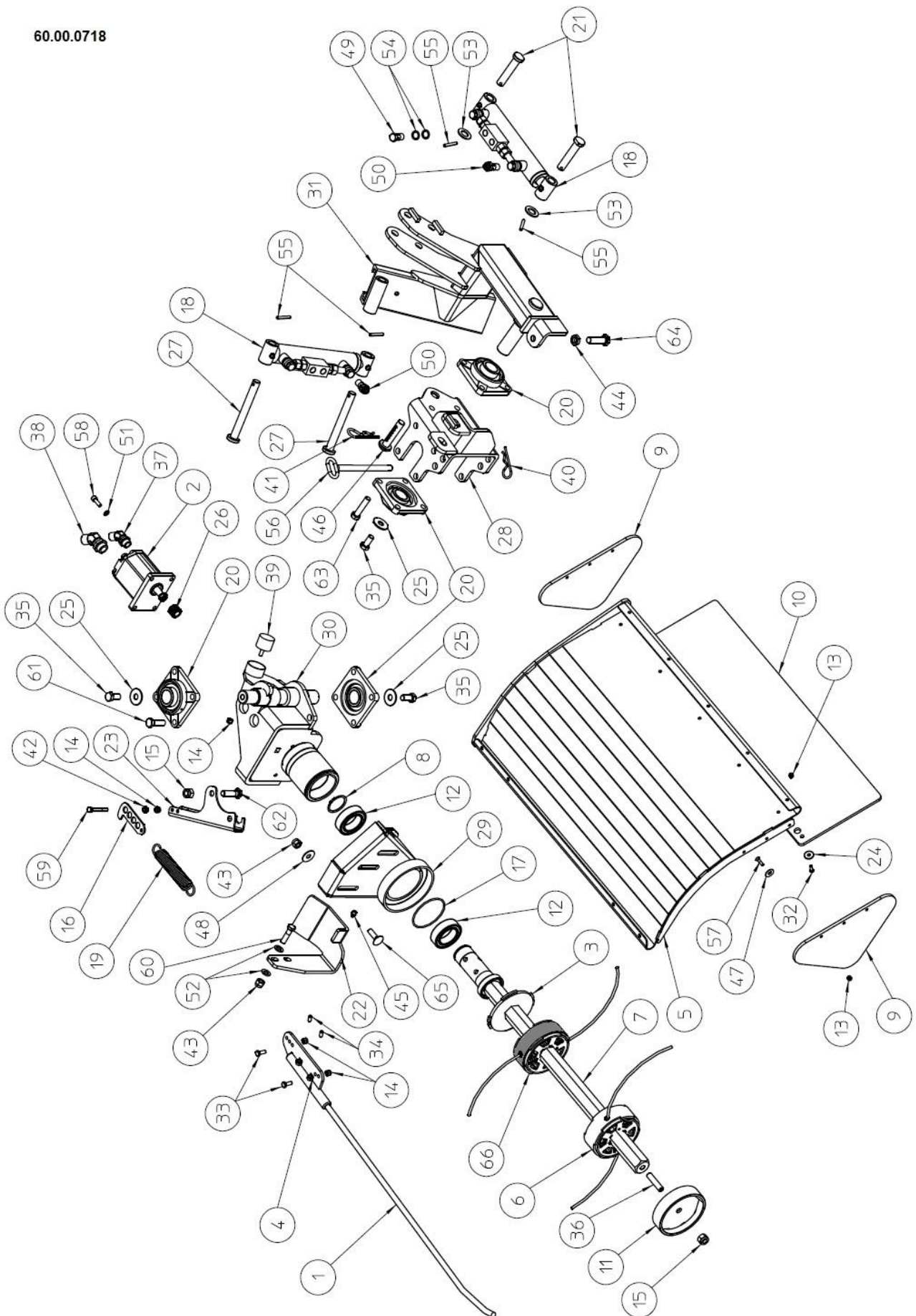
RIGHT HEAD

Ref.	CODE	DESCRIPTION	90/140	140/240
50	V080203PG129Z	GALV. SCREW STEI M8X20 12.9 UNI5925 TIP B	2	2
51	V080251TF129Z	GALV. SCREW TCEI M8X25 12.9 UNI5931	2	2
52	V080602PF088Z	GALV. SCREW TE M8X60 8.8 UNI5737	1	1
53	V120452PF088N	BLACK SCREW TE M12X45 8.8 UNI5737	2	2
54	100200010	BLACK SCREW TE M14X25 8.8 UNI5739	2	2
55	100200056	BLACK SCREW TE M14x45 10.9 UNI5739	2	2
56	V140502PF109N	BLACK SCREW TE M14X50 10.9 UNI5737	2	2
57	100200058	BLACK SCREW TE M14x60 10.9 UNI5739	4	4
58	V140603PG129Z	GALV. SCREW STEI M14X60 12.9 UNI5923	1	1
59	V160602TF088N	BLACK SCREW TE M16X60 8.8 UNI5739	1	1
60	VTTQST12040	GALVANISED SCREW TTQST M12X40 8.8 DIN 603	4	4
61	CM05Z	GALVANISED D. 5 SPRING SPLIT PIN	1	1
62	PFC/7208	BUFFER COMPLETE LIMIT SWITCH PIN	1	1
63	PM/7152	ECOSPRINT MOTOR RIGHT PROTECTION	1	1
64	041000005	DRILLED SCREW 3/8"	2	2
65	041000014	THROTTLE GAS DRILLED COUPLING 3/8"	2	2
66	050100002	3/8" COPPER WASHER	8	8
68	850100246	ALUM. 4D ECOSPRINT COMPLETE COIL	1**	1**

**with serial no. 96630 (10/2019)

LEFT HEAD

60.00.0718



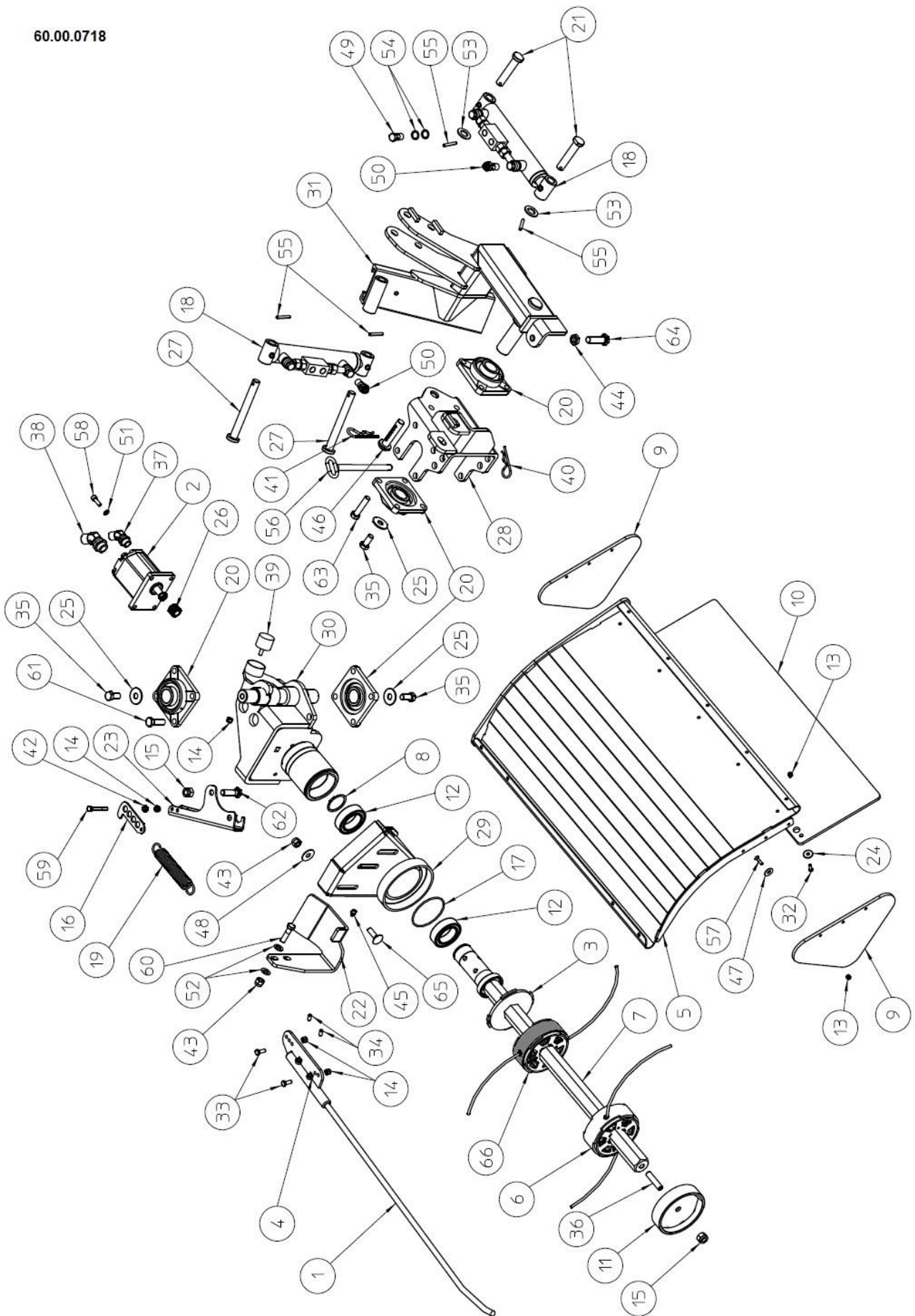
LEFT HEAD

Ref.	CODE	DESCRIPTION	90/140	140/240
1	010100024	ECOSPRINT 750 STEEL CASING ROD	1	1
2	040500004	LEFT GEAR MOTOR GR2 26CC COVER COUPLING	1	1
3	160200766	ECOSPRINT 4D COIL DRIVE DISC	1	1
4	161800047	ECOSPRINT METAL ROD LEFT SUPPORT	1	1
5	161800156	ECOSPRINT 750 LEFT HARDOX HOOD	1	1
6	850100042	4D ECOSPRINT WIRELESS COIL WITH BUSHES	16 (15**)	16 (15**)
7	AE/6353	ECOSPRINT HEXAGONAL COILS HOLDER SHAFT L=750	1	1
8	ASE050	EXTERNAL SEEGER D.50 DIN471	1	1
9	CP/7375	ECOSPRINT U-250 HOOD SIDE	2	2
10	CPP/7371	ECOSPRINT 750 U-250 REAR HOOD	1	1
11	CR/6384	ECOSPRINT ROTOR CLOSURE COVER	1	1
12	CRS0630102RS	63010 2RS RADIAL BALL BEARING	2	2
13	DE06AL6SPGZAB	GALV. HIGH SELF-LOCKING NUT M6 6S UNI 7473	11	11
14	101500023	GALV. SELF-LOCKING NUT M08 -6S- UNI7473	3	3
15	101500033	GALV. HIGH SELF-LOCKING NUT M14 -10- UNI7473	8	8
16	GM/6406	ECOSPRINT SPRING HOLDER HOOK	1	1
17	GOR4362	OR SEAL 4362 D.91.67X3.53	1	1
18	041500079	ECOSPRINT JACK D40 d25 C110 VB	1	-
27	041500029	ET/M-ET/FX JACK D40 d25 C150 VB	-	1
19	MO/6405	ECOSPRINT TRACTION SPRING	1	1
20	OZ.80.C.87.007	SUPPORT UCF – 207	4	4
21	PE 6430	ECOSPRINT CYLINDERS PIN D.19X82	2	2
22	PM/7152	ECOSPRINT MOTOR RIGHT PROTECTION	1	1
23	PPS/6790	ECOSPRINT BENT LEFT SPRING HOLDER	1	1
24	RF0624FZ	GALV. FLAT WASHER 6.5X24 U.6593	11	11
25	100600003	BLACK FLAT WASHER D.14.5X42 UNI6593	2	2
26	SG015	SEMI-COUPLING Z15 PUMP GR. 2 KEY 3	1	1
27	SI/3515	GALV. HOOD PISTON PIN D.19 L.175	2	2
28	SOS/6399	ECOSPRINT LEFT HORIZONTAL JOINT	1	1
29	SRS/6362	ECOSPRINT HOOD LEFT ROTARY SUPPORT	1	1
30	SVS/6396	ECOSPRINT MOTOR HOLDER LEFT VERTICAL JOINT	1	1
31	SVS/6955	FRUIT-USE ECOSPRINT LEFT VERTICAL SUPPORT	1	1
32	V060206PG109Z	GALV. BUT. HEAD SCREW M6X20 10.9 UNI7380	5	5
33	V080202TF088Z	GALV. SCREW TE M8X20 8.8 UNI5739	4	4
34	V080203PG129Z	GALV. SCREW STEI M8X20 12.9 UNI5925 TIP B	2	2
35	100200060	BLACK SCREW TE M14X30 10.9 UNI5739	2	2
36	V140603PG129Z	GALV. SCREW STEI M14X60 12.9 UNI5923	1	1
37	AF4512MMG	45° FORGED ADJUSTABLE ADAPTER 1/2 M+ M	1	1
38	AF4534MMG	45° FORGED ADJUSTABLE ADAPTER 3/4 M+ M	1	1
39	AV4030	ANTI-VIBRATION PAD 40 H30 MP 8M-23	1	1
40	101100001	GALVANISED D4 SPRING SPLIT PIN	1	1
41	CM05Z	GALVANISED D. 5 SPRING SPLIT PIN	1	1
42	DE08AL6SPGZ	GALV. HIGH NUT M8 6S UNI 5587	1	1
43	101500034	GALV. HIGH SELF-LOCKING NUT M12 -10-UNI 7473	4	4
44	DE16BA6SPGN	BLACK LOW NUT M16 6S UNI5589	1	1
45	041000006	STRAIGHT GREASE NIPPLE M10x1	2	2
46	PFC/7208	BUFFER COMPLETE LIMIT SWITCH PIN	1	1
47	RF0824FZ	GALV. FLAT WASHER 8.5X24 U.6593	11	11

**with serial no. 96630 (10/2019)

LEFT HEAD

60.00.0718



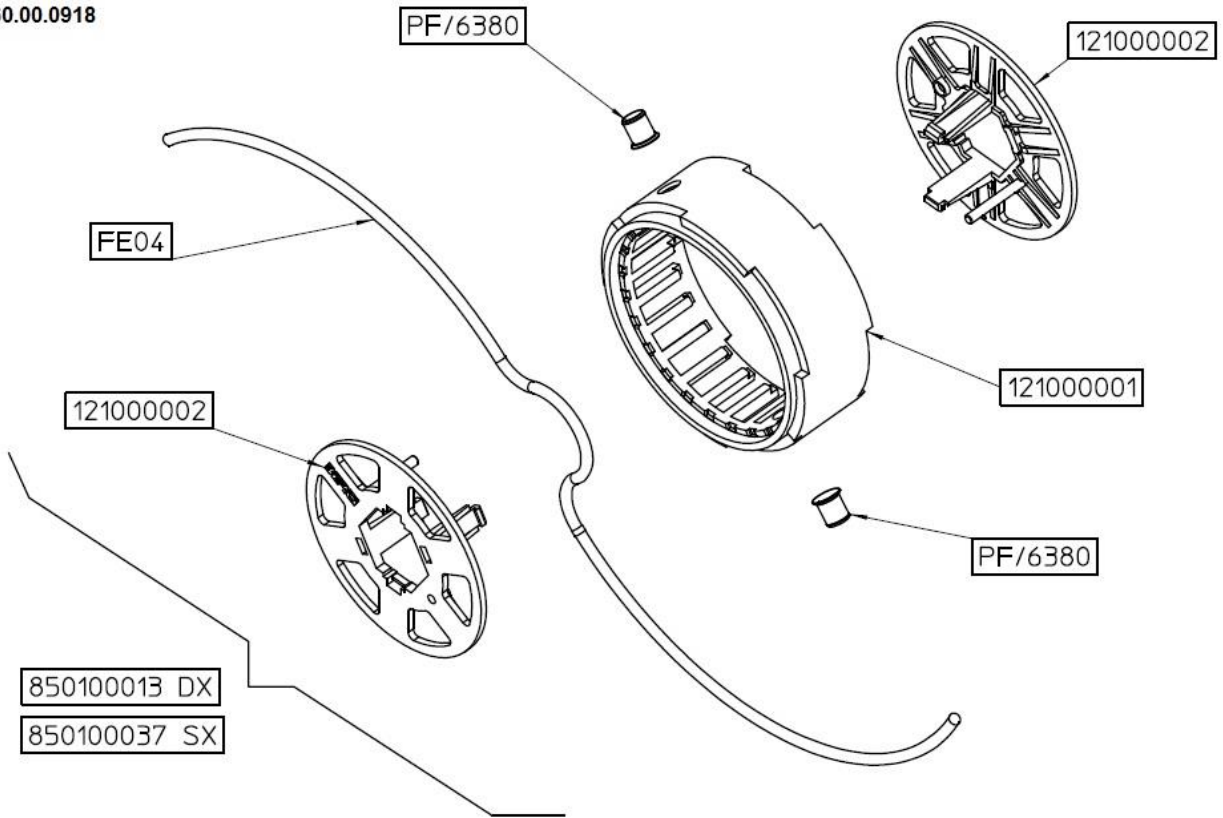
LEFT HEAD

Ref.	CODE	DESCRIPTION	90/140	140/240
48	RF1236FZ	GALV. FLAT WASHER 12.5X36 U.6593	4	4
49	041000005	DRILLED SCREW 3/8"	2	2
50	041000014	THROTTLE GAS DRILLED COUPLING 3/8"	2	2
51	RG08XXARZ	GROWER WASHER D. 8 IN GALV. REINF.STEEL	1	1
52	RP12XXFZ	GALV. FLAT WASHER D.12 U.6592	4	4
53	100600008	GALV. FLAT WASHER D.20 UNI6592	4	4
54	050100002	3/8" COPPER WASHER	8	8
55	101100007	GALVANISED ELASTIC PIN D6 L=50 DIN1481	4	4
56	SP15/6815	GALVANISED USEFUL PIN 15X183	1	1
57	V06025TF109Z	GALV. SCREW TSPEI M6X25 10.9 UNI5933	6	6
58	V080251TF129Z	GALV. SCREW TCEI M8X25 12.9 UNI5931	4	4
59	V080602PF088Z	GALV. SCREW TE M8X60 8.8 UNI5737	1	1
60	V120452PF088N	BLACK SCREW TE M12X45 8.8 UNI5737	2	2
61	100200056	BLACK SCREW TE M14x45 10.9 UNI5739	2	2
62	V140502PF109N	BLACK SCREW TE M14X50 10.9 UNI5737	2	2
63	100200058	BLACK SCREW TE M14x60 10.9 UNI5739	4	4
64	V160552TF088Z	GALV. SCREW TE M16X55 8.8 UNI5739	1	1
65	VTTQST12040	GALVANISED SCREW TTQST M12X40 8.8 DIN 603	5	5
66	850100246	ALUM. 4D ECOSPRINT COMPLETE COIL	1**	1**

**with serial no. 96630 (10/2019)

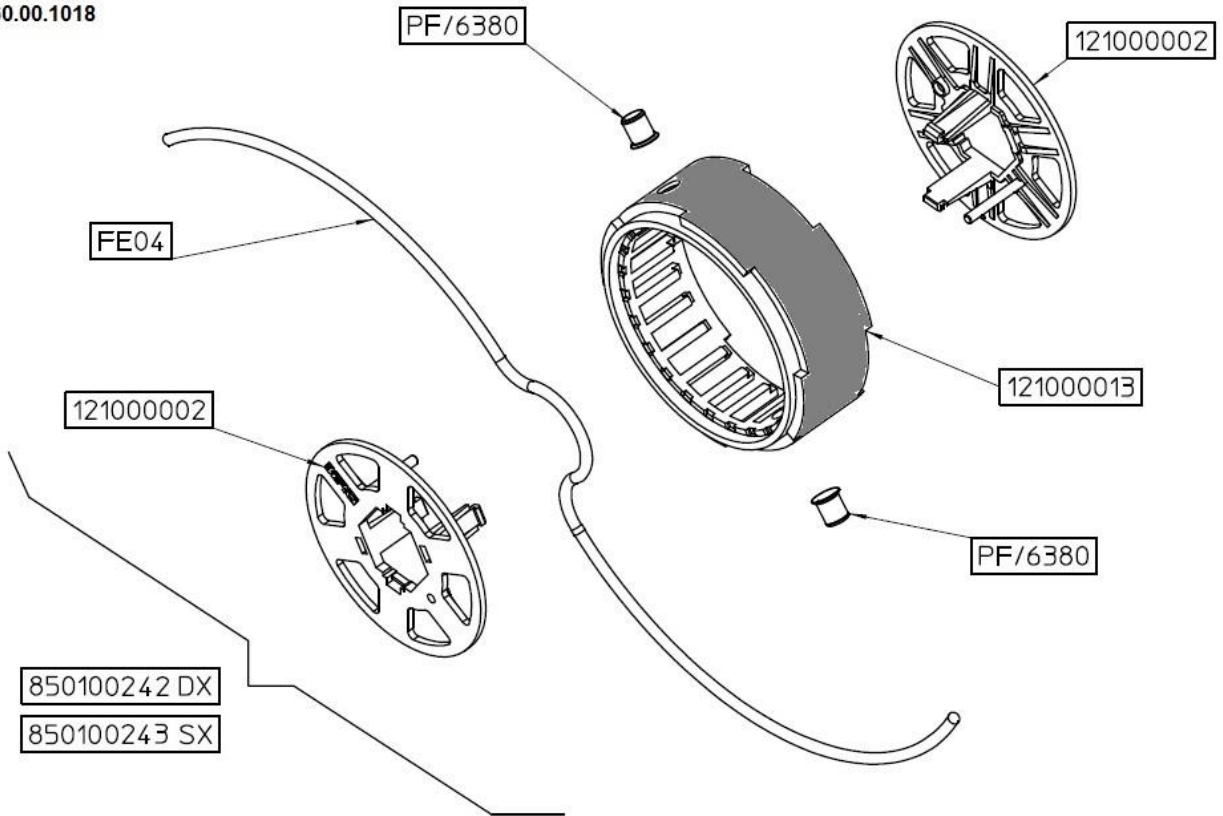
4D COIL (since 04/2017)

60.00.0918



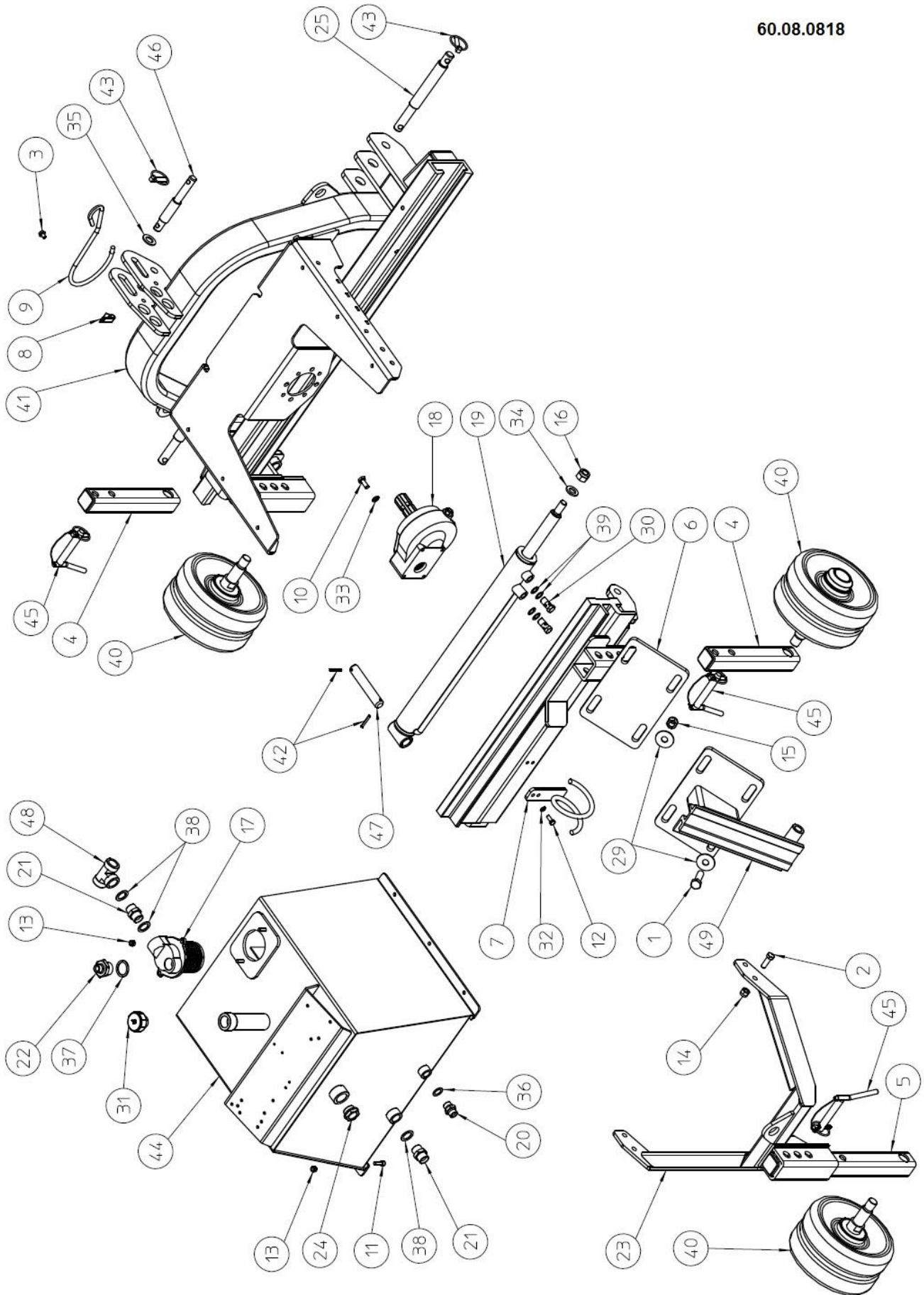
ALUMINIUM 4D COIL (serial no. 96630 10/2019)

60.00.1018



ECOSPRINT FRAME

60.08.0818

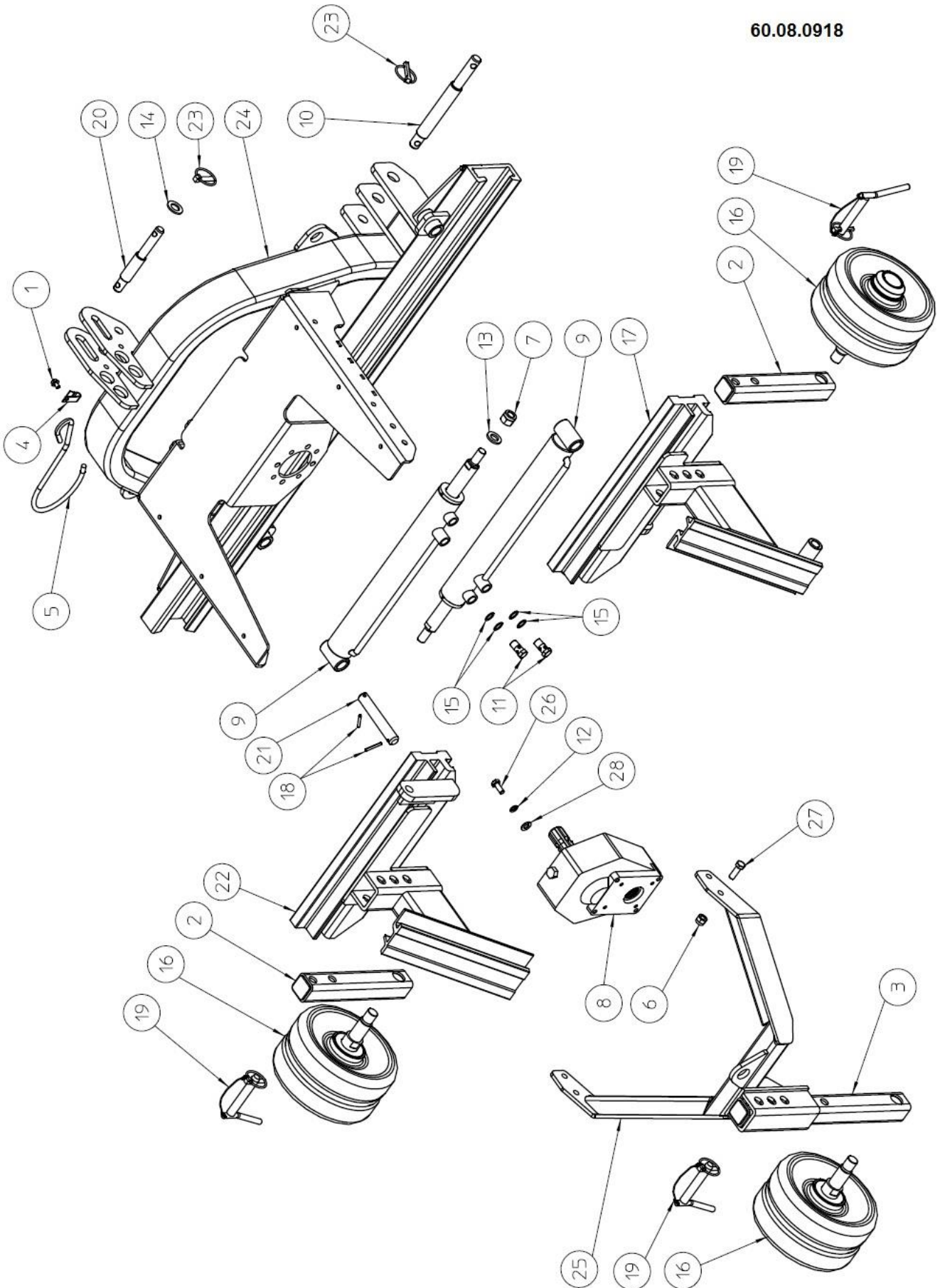


ECOSPRINT FRAME

Ref.	CODE	DESCRIPTION	90/140	140/240
1	V160552TF088N	BLACK SCREW TE M16X55 8.8 UNI5739	4	4
2	100200020	GALV. SCREW TE M12X35 8.8 UNI5739	4	4
3	100200003	GALV. FLANGED SCREW TE M08x12 10.9	1	1
6	161800353	ECOSPRINT EASY 90-140 HORIZ. SUPPORT	1	-
6	161800396	ECOSPRINT EASY 140/240 HORIZ. SUPPORT	-	1
7	161800515	ECOSPRINT PIPE CARRIER RING	1	1
8	210400016	CARDAN HOOK FASTENER	1	1
9	210400017	CARDAN SUPPORT HOOK D.10 L=320	1	1
10	V100252TF088Z	GALV. SCREW TE M10X25 8.8 UNI5739	4	4
11	V080251TF129Z	GALV. SCREW TCEI M8X25 12.9 UNI5931	6	6
12	V080202TF088Z	GALV. SCREW TE M8X20 8.8 UNI5739	2	2
13	101500023	GALV. SELF-LOCKING NUT M08 -6S- UNI7473	6	6
14	101500034	GALV. HIGH SELF-LOCKING NUT M12 -10-UNI 7473	4	4
15	101500035	GALV. HIGH SELF-LOCKING NUT M16 -10-UNI 7473	4	4
16	101500004	GALV. SELF-LOCKING NUT M18 PG 6S UNI7473	1	1
17	FS7534	MICRON DISCHARGE FILTER LT.75 3/4 60	1	1
18	MAM02R130	PUMP MULTIPLIER GROUP 2 R1:3 WITH MALE SHAFT	1	1
19	MI5028L815/02	VINEYARD-USE ECOSPRINT MOVEMENT JACK L.815	1	-
19	MI5028L1000	MOVEMENT JACK D.INT.50 ST.28 C.1000	-	1
20	NG12	1/2 GAS JOINT NIPPLE	1	1
21	NG34	GAS JOINT NIPPLE 3/4	2	2
22	NR1P12	1" - 1/2" GAS REDUCTION NIPPLE	1	1
23	TRP/6650	ECOSPRINT REAR WHEEL FRAME	1	1
24	TLO1	OIL LEVEL LIGHT	1	1
25	160500028	GALV. PIN D28/22 L=260	2	2
29	RF1642FZ	GALV. FLAT WASHER 16.5X48X3 U.6593	4	4
30	041000005	DRILLED SCREW 3/8"	2	2
31	TCO1	CAP 1"	1	1
32	RG08XXARZ	GROWER WASHER D. 8 IN GALV. REINF.STEEL	2	2
33	100600016	GALV. GROWER WASHER D10 DIN127B	4	4
34	100600001	GALV. FLAT WASHER D18 UNI6592	1	1
35	100600008	GALV. FLAT WASHER D.20 UNI6592	1	1
36	050100001	1/2" COPPER WASHER	1	1
37	RR1P	COPPER WASHER 1"	1	1
38	RR34	COPPER WASHER 3/4"	3	3
40	210200001	COMPLETE IRON WHEEL D.250x135	3	3
41	TCDF/6713	FRUIT-USE ECOSPRINT FRAME 140/240	-	1
41	TCDV/6685	VINEYARD-USE ECOSPRINT FRAME 90/140	1	-
42	SE05040Z	GALV. ELASTIC PIN D. 5X40 DIN 1481	2	2
43	101200002	GALV. TRIP PIN D10	3	3
44	SI/2009	SPEEDY TANK ON FRAME 80LT	1	1
45	SP18/6989	GALVANISED PIN D.18x100	3	3
46	101200004	GALV. 3° POINT PIN D.25 D.19 L=190	1	1
47	101200001	PIN D24 L=140 2 HOLES D.5X121	1	1
48	RTFFF34	MOLDED 3/4" "T" COUPLING F+F+F	1	1
49	161800355	ECOSPRINT EASY RIGHT HEAD SUPPORT	1	1

FRAME

60.08.0918

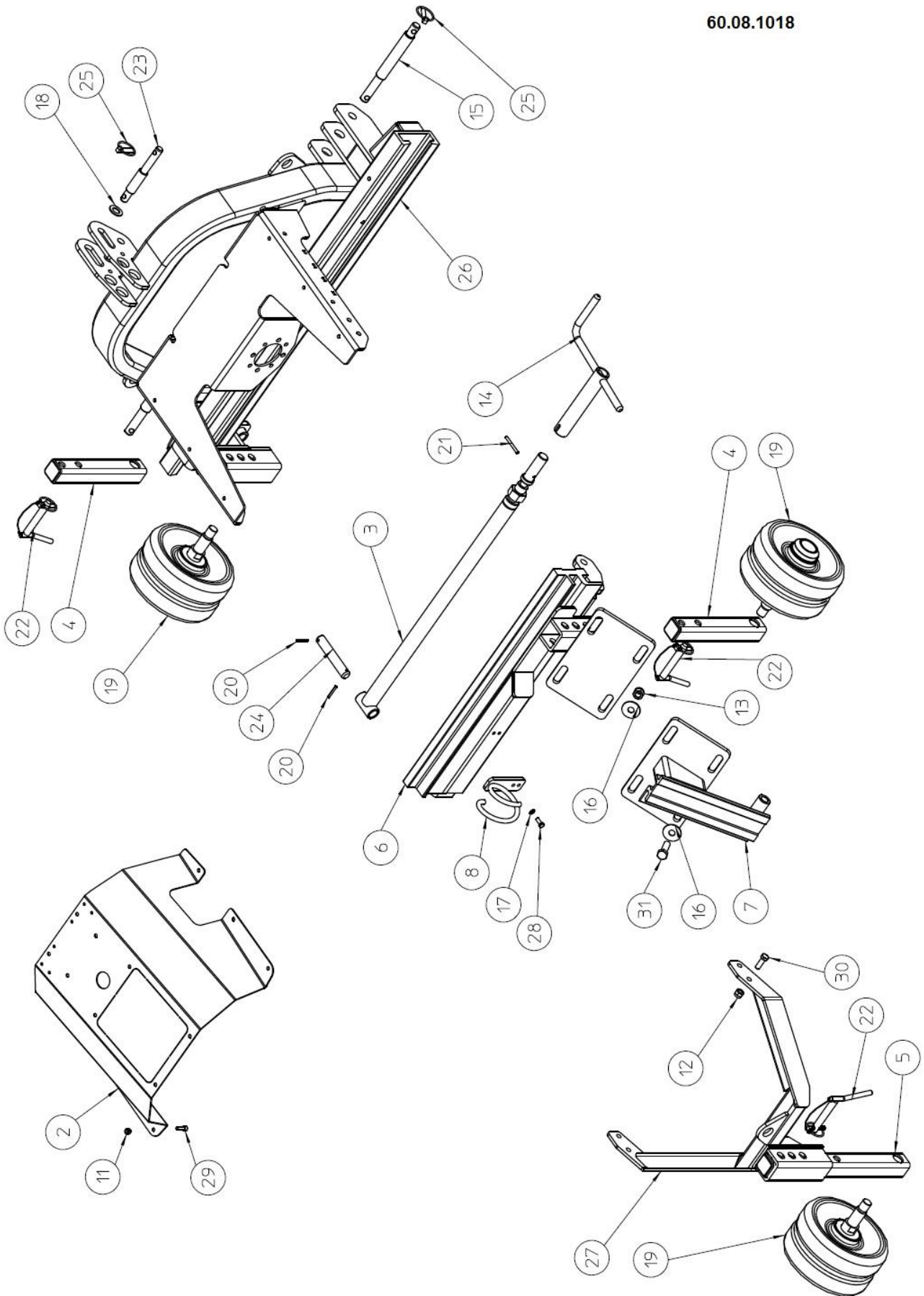


FRAME

Ref.	CODE	DESCRIPTION	180/280	230/350
1	100200003	GALV. FLANGED SCREW TE M08x12 10.9	1	1
2	161600002	PIPE WITH BUSH D.25	2	2
3	161600003	PIPE WITH BUSH D.25	1	1
4	210400016	CARDAN HOOK FASTENER	1	1
5	210400017	CARDAN SUPPORT HOOK D.10 L=320	1	1
6	101500034	GALV. HIGH SELF-LOCKING NUT M12 -10-UNI 7473	4	4
7	101500004	GALV. SELF-LOCKING NUT M18 PG 6S UNI7473	2	2
8	MAM03R130	PUMP MULTIPLIER GROUP 3 R1:3 WITH MALE SHAFT	1	1
9	041500031	AF MOVEMENT JACK	2	-
9	041500001	JACK D60/30 Lmin=719 C=522	-	2
10	160500028	GALV. PIN D28/22 L=260	2	2
11	041000005	DRILLED SCREW 3/8"	4	4
12	100600030	GALV. GROWER WASHER D.12 DIN 127B	4	4
13	100600001	GALV. FLAT WASHER D18 UNI6592	2	2
14	100600008	GALV. FLAT WASHER D.20 UNI6592	1	1
15	050100002	3/8" COPPER WASHER	8	8
16	210200001	COMPLETE IRON WHEEL D.250x135	3	3
17	SD/6953	RIGHT SUPPORT 180/280	2	-
17	161300003	FRUIT-USE ECOSPRINT RIGHT SUPPORT 230/350	-	2
18	SE05040Z	GALV. ELASTIC PIN D. 5X40 DIN 1481	4	4
19	SP18/6989	GALVANISED PIN D.18x100	3	3
20	101200004	GALV. 3° POINT PIN D.25 D.19 L=190	1	1
21	101200001	PIN D24 L=140 2 HOLES D.5X121	2	2
22	SS/6954	LEFT SUPPORT 180/280	1	-
22	161300004	FRUIT-USE ECOSPRINT LEFT SUPPORT 230/350	-	1
23	101200002	GALV. TRIP PIN D10	3	
24	TDV/6952	VINEYARD-USE ECOSPRINT FRAME 180-280	1	-
24	160100021	FRUIT-USE ECOSPRINT FRAME 230-350	-	1
25	TRP/6650	ECOSPRINT REAR WHEEL FRAME	1	1
26	100200041	GALV. SCREW TE M12X25 8.8 UNI5739	4	4
27	100200020	GALV. SCREW TE M12X35 8.8 UNI5739	4	4
28	RP12XXFZ	GALV. FLAT WASHER D.12 U.6592	4	4

FRAME

60.08.1018



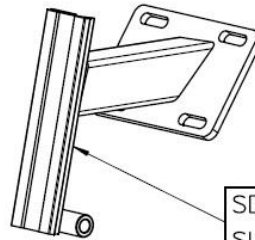
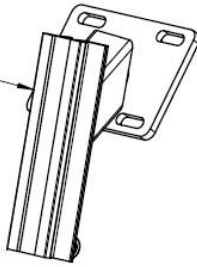
FRAME

Ref.	CODE	DESCRIPTION	90/140	140/240
2	160301180	ECOSPRINT EASY FRAME COVER	1	1
3	161300011	MECHANICAL MOVEMENT L=815	1	-
3	161300021	MECHANICAL MOVEMENT L=1000	-	1
4	161600002	PIPE WITH BUSH D.25	2	2
5	161600003	PIPE WITH BUSH D.25	1	1
6	161800353	HORIZ. SUPPORT ECOSPRINT EASY 90-140	1	-
6	161800396	HORIZ. SUPPORT ECOSPRINT EASY 140/240	-	1
7	161800355	ECOSPRINT EASY RIGHT HEAD SUPPORT	1	1
8	161800515	ECOSPRINT PIPE CARRIER RING	1	1
12	101500034	SELF-LOCKING NUT GALV. M12 -10-UNI 7473	4	4
13	101500016	SELF-LOCKING NUT GALV. M16X1.5 6S UNI7473	4	4
14	161300006	GALVANISED CRANK HANDLE FOR MECH. MOVEMENT L=220	1	1
15	160500028	GALV. PIN D28/22 L=260	2	2
16	RF1642FZ	GALV. FLAT WASHER 16.5X48X3 U.6593	4	4
17	RG08XXARZ	GROWER WASHER D. 8 IN GALV. REINF.STEEL	2	2
18	100600008	GALV. FLAT WASHER D.20 UNI6592	1	1
19	210200001	COMPLETE IRON WHEEL D.250x135	3	3
20	SE05040Z	GALV. ELASTIC PIN D. 5X40 DIN 1481	2	2
21	101100003	GALVANISED ELASTIC PIN D6 L=60 DIN1481	1	1
22	SP18/6989	GALVANISED PIN D.18x100	3	3
23	101200004	GALV. 3° POINT PIN D.25 D.19 L=190	1	1
24	101200001	PIN D24 L=140 2 HOLES D.5X121	1	1
25	101200002	GALV. TRIP PIN D10	3	3
26	TCDF/6713	FRUIT-USE ECOSPRINT FRAME 140/240	1	-
26	TCDV/6685	VINEYARD-USE ECOSPRINT FRAME 90/140	-	1
27	TRP/6650	ECOSPRINT REAR WHEEL FRAME	1	1
28	V080202TF088Z	GALV. SCREW TE M8X20 8.8 UNI5739	2	2
29	V080251TF129Z	GALV. SCREW TCEI M8X25 12.9 UNI5931	6	6
30	100200020	GALV. SCREW TE M12X35 8.8 UNI5739	4	4
31	V160552TF088Z	GALV. SCREW TE M16X55 8.8 UNI5739	4	4

SUPPORT ON MULCHER

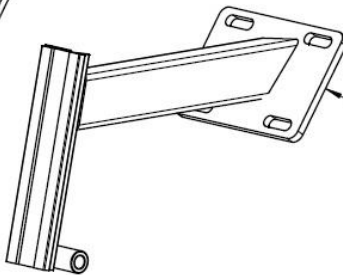
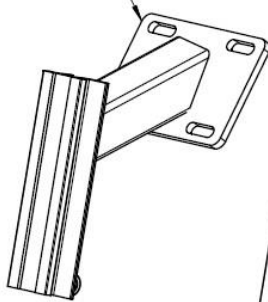
SUPPORTO ECOSPRINT SU TRINCIA

SS/6541
SUPPORTO SX RULLO D.159



SD/6540
SUPPORTO DX RULLO D.159

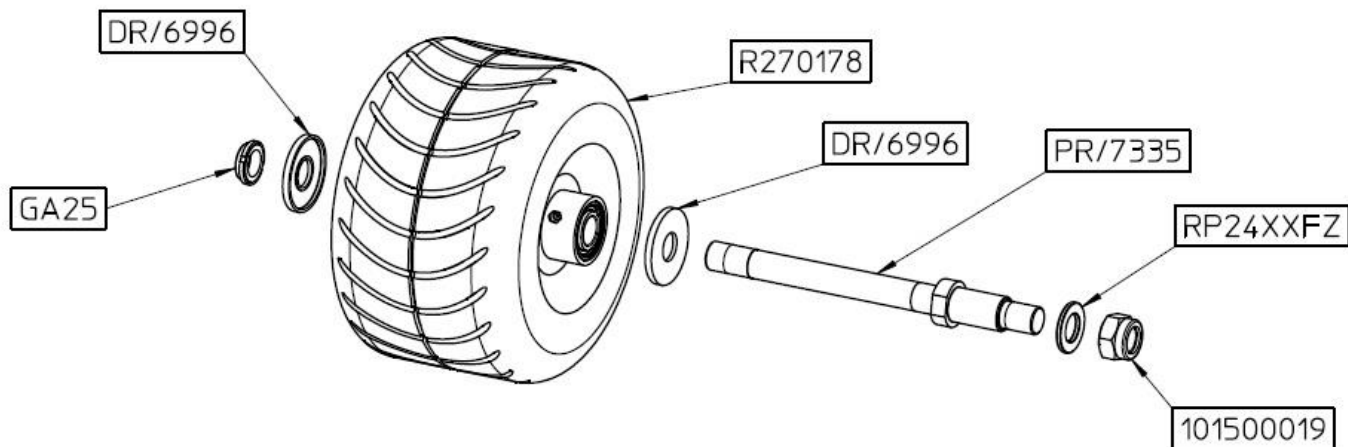
SS194/6757
SUPPORTO SX RULLO D.194



SD194/6756
SUPPORTO DX RULLO D.194

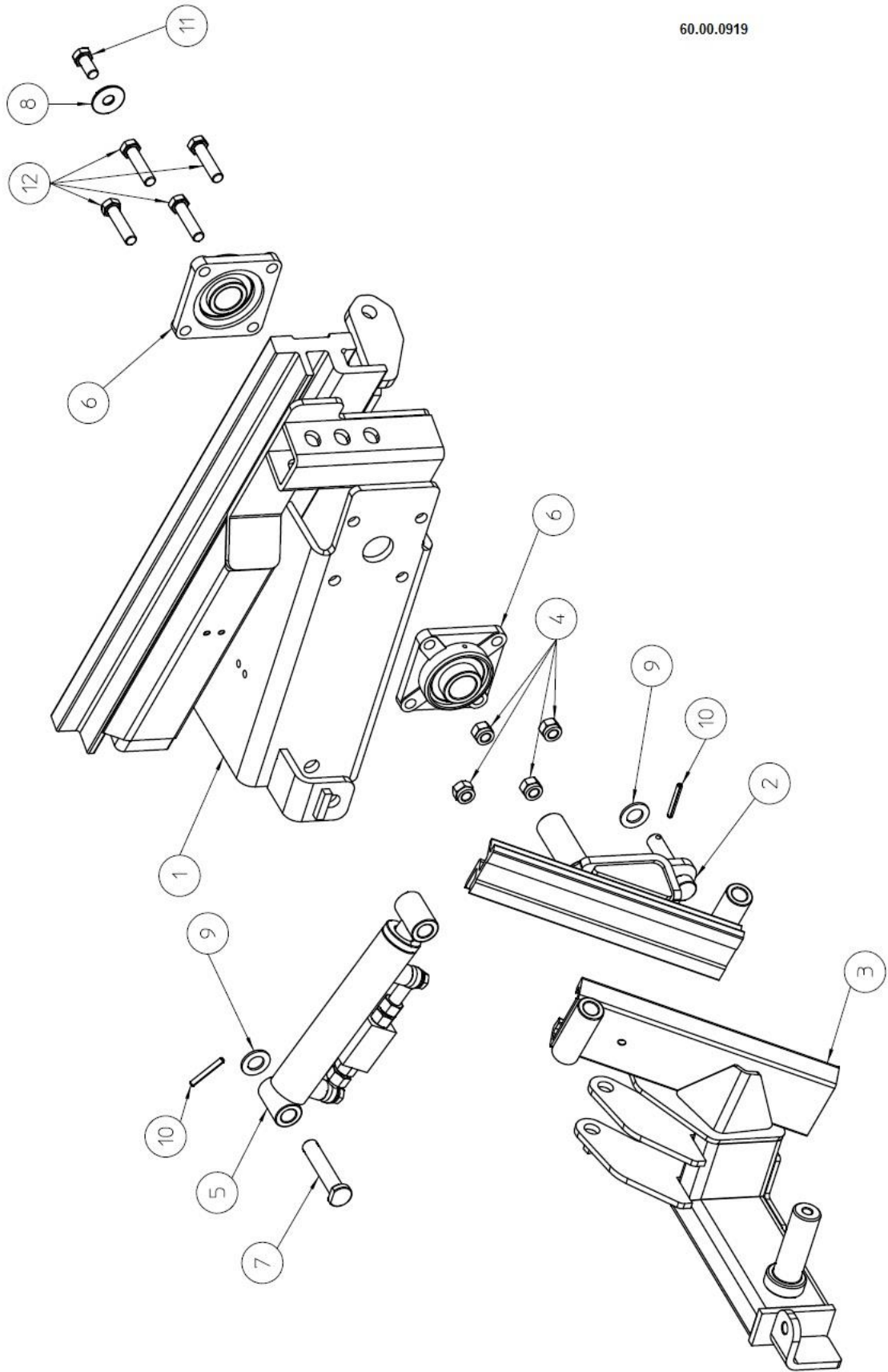
RUBBER WHEEL

RUOTA IN GOMMA



SLOPE JOINT KIT

60.00.0919

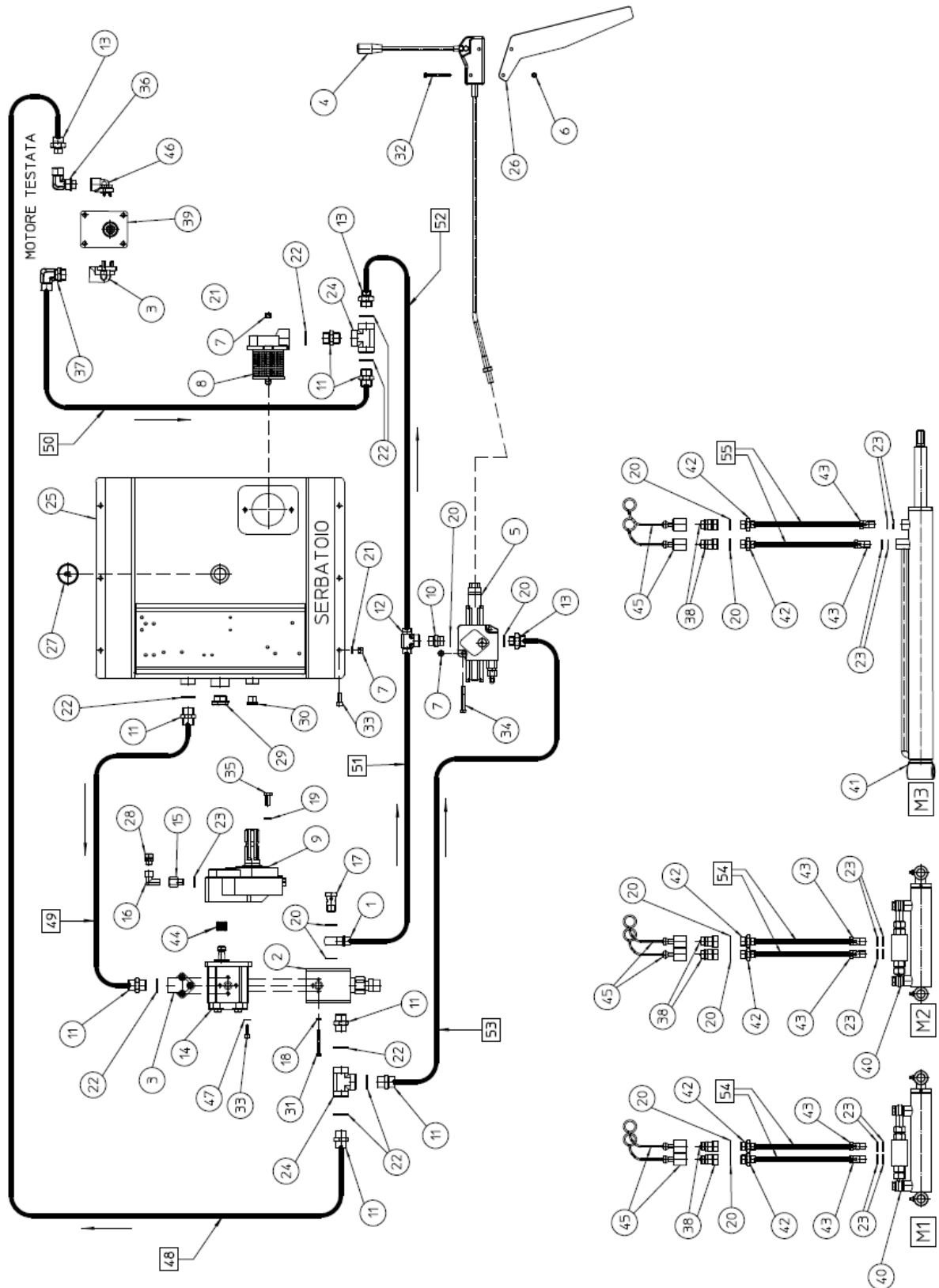


SLOPE JOINT KIT

Ref.	CODE	DESCRIPTION	90/140	140/240
1	161800268	SLOPE VINEYARD-USE ECOSP. SUPP. 90/140 L=780	1	-
1	161800414	SLOPE FRUIT-USE ECOSP. SUPP. 140/240 L=1430	-	1
2	161800269	ECOSPRINT SLOPE KIT VERTICAL SUPPORT	1	1
3	161800725	ECOSPR. SLOPE RIGHT VERTICAL SUPPORT	1	1
4	101500033	GALV. HIGH SELF-LOCKING NUT M14 -10- UNI7473	4	4
5	041500079	ECOSPRINT JACK D40 d25 C110 VB	1	1
6	OZ.80.C.87.007	SUPPORT UCF – 207	2	2
7	PE 6430	ECOSPRINT CYLINDERS PIN D.19X82	1	1
8	100600003	BLACK FLAT WASHER D.14.5X42 UNI6593	1	1
9	100600008	GALV. FLAT WASHER D.20 UNI6592	2	2
10	101100007	GALVANISED ELASTIC PIN D6 L=50 DIN1481	2	2
11	100200060	BLACK SCREW TE M14X30 10.9 UNI5739	1	1
12	100200058	BLACK SCREW TE M14x60 10.9 UNI5739	4	4

HYDRAULIC 1 LEVER ECOSPRINT – NO EXCHANGER

60.12.0615



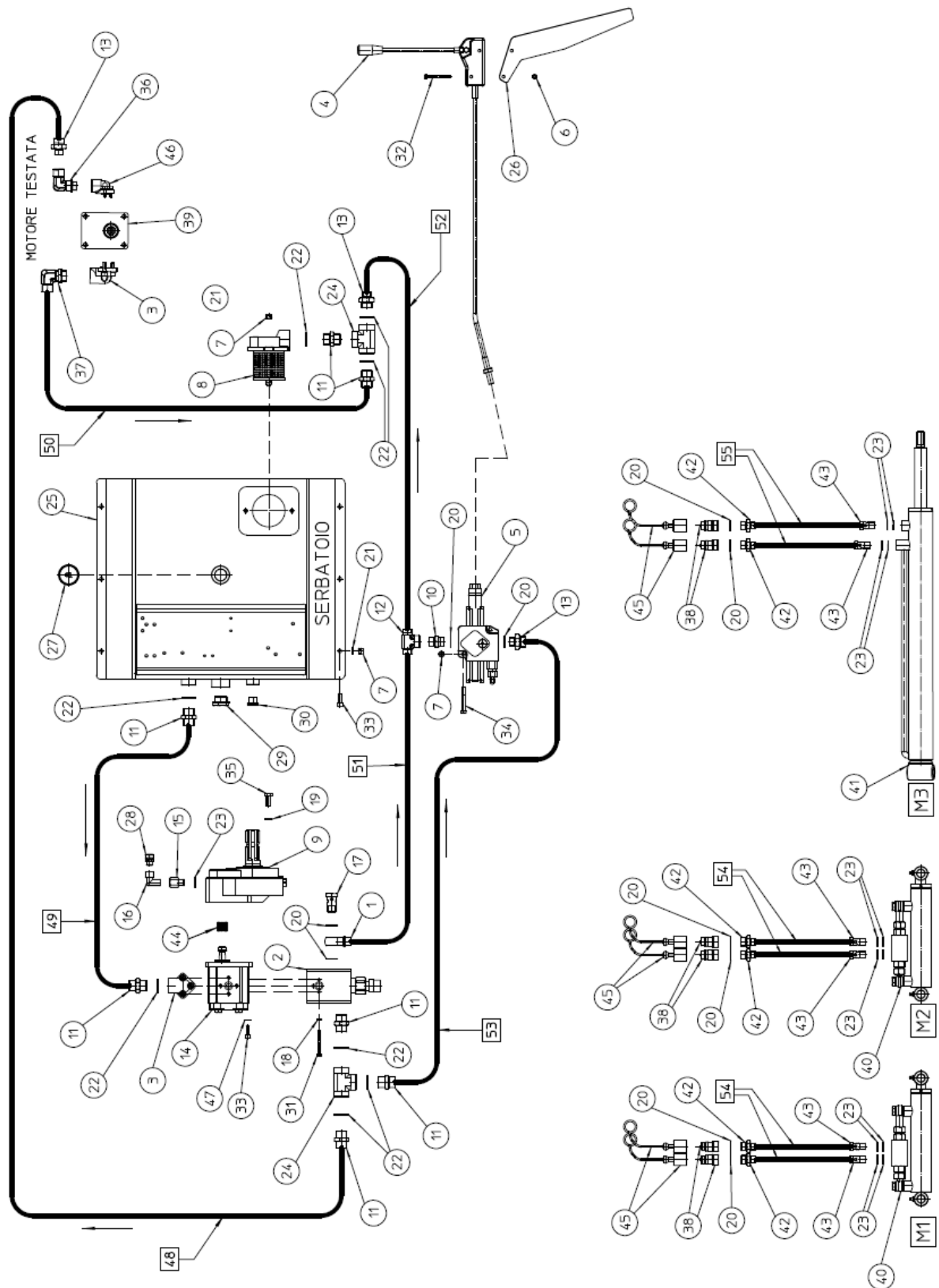
HYDRAULIC 1 LEVER ECOSPRINT – NO EXCHANGER

Ref	CODE	DESCRIPTION	90 - 140	140 - 240
1	041000003	THREADED EYE 1/2 "	1	1
2	042600001	CAPACITY ADJUSTMENT VALVE	1	1
3	BI403490	90° FLANGE 3/4"	2	2
4	CFL2500NL	FLEXIBLE CABLE L.2500 + LEVER	1	1
5	D112SEKI	DISTRIBUTOR	1	1
6	DE06AL6SPGZAB	GALV. HIGH SELF-LOCKING HEX. NUT 6	2	2
7	DE08AL6SPGZAB	GALV. HIGH SELF-LOCKING HEX. NUT 8	10	10
8	FS7534	TANK DISCHARGE FILTER	1	1
9	MAM02R130	PUMP MULTIPLIER	1	1
10	NG12	GAS JOINT NIPPLE 1/2"	1	1
11	NG34	GAS JOINT NIPPLE 3/4"	7	7
12	RTMFM12	1/2" "T" COUPLING M+F+M	1	1
13	NR3412	REDUCTION NIPPLE 3/4" – 1/2"	3	3
14	PI226D4F	GEAR PUMP	1	1
15	PMF38020	GAS MALE-FEMALE EXTENSION 3/8	1	1
16	RA3890MF	90° MALE COUPLING D.6 F 1/8"	1	1
17	RF12	GAS DRILLED COUPLING 1/2	1	1
18	RG06XXARZ	GALV. GROWER WASHER D.6	3	3
19	RG10XXARZ	GALV. GROWER WASHER D.10	4	4
20	RR12	COPPER WASHER 1/2"	10	10
21	RP08XXFZ	GALV. FLAT WASHER D.8	6	6
22	RR34	COPPER WASHER 3/4"	8	8
23	RR38	COPPER WASHER 3/8"	13	13
24	RTFFF34	"T" COUPLING "T" F+F+F 3/4"	2	2
25	SI/2009	TANK 80 LT	1	1
26	SL/1490	LEVER COUPLING BRACKET	1	1
27	TCO1	OIL FILLER CAP 1"	1	1
28	TCS38	OIL DRAIN CAP 3/8"	1	1
29	TLO1	OIL LEVEL CAP	1	1
30	TM12P	MALE CAP 1/2"	1	1
31	V060602PF088Z	GALV. SCREW TE 6X60	3	3
32	V060602TF088Z	GALV. SCREW TE 6X600	2	2
33	V080251TF129Z	GALV. SCREW TCEI 8X25	10	10
34	V080602PF088Z	GALV. SCREW TE 8X60	2	2
35	V100252TF088Z	GALV. SCREW TE 10X25	4	4
36	AF9012FMG	90° ADAPTER 1/2" F+M+RING NUT	1	1
37	AF9034MMG	90° ADAPTER 3/4" M+M+RING NUT	1	1
38	IR12MS	BALL MALE 1/2" QUICK COUPLING	6	6
39	MI226PN	RIGHT GEAR MOTOR	1	1

* replaced

HYDRAULIC 1 LEVER ECOSPRINT – NO EXCHANGER

60.12.0615



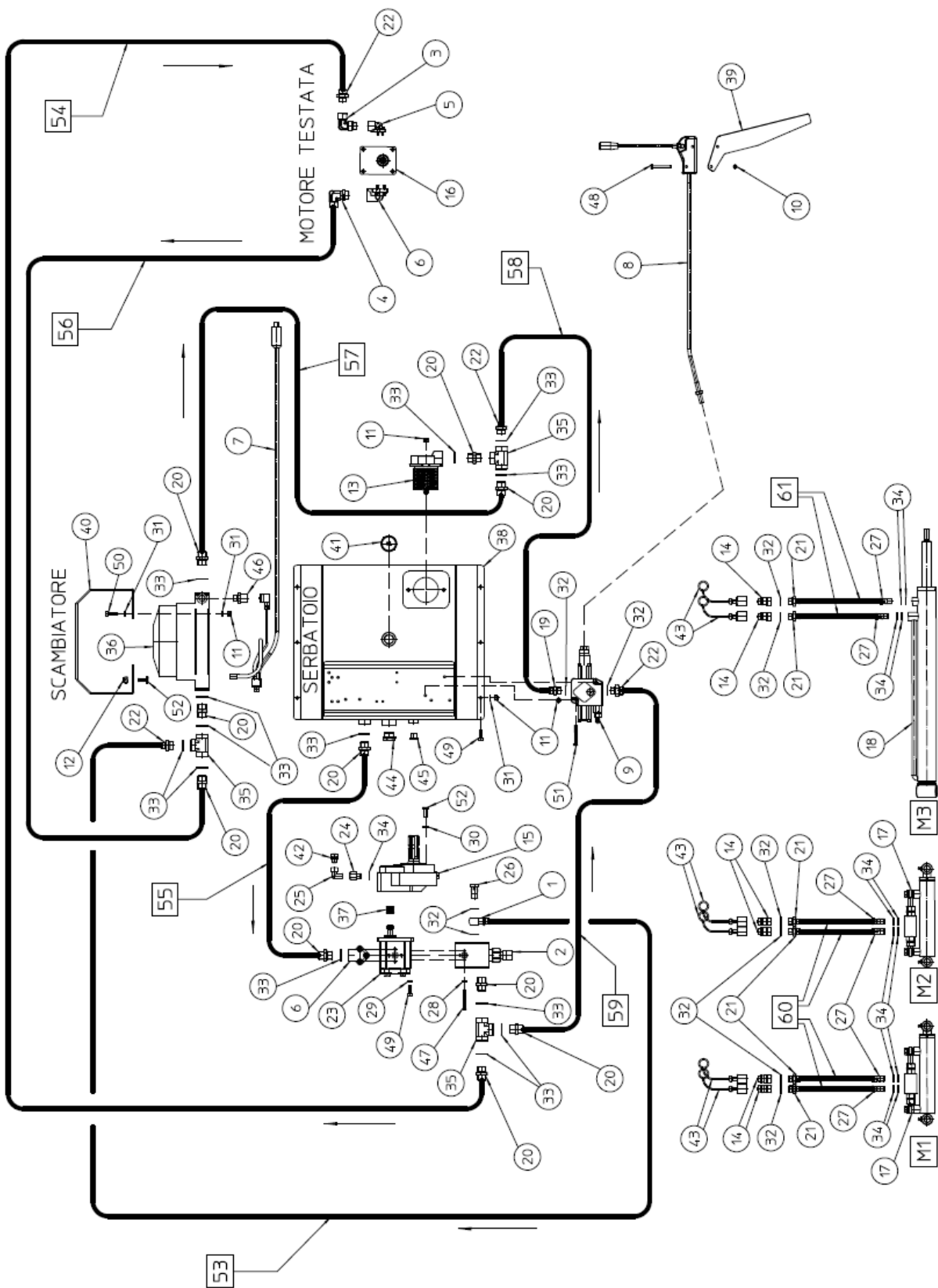
HYDRAULIC 1 LEVER ECOSPRINT – NO EXCHANGER

Ref	CODE	DESCRIPTION	VINEYAR D 90 - 140	FRUIT 140 - 240
40	MI4025100/6808	HYDRAULIC JACK D.40 d.25 STROKE 110	2	-
40	MI4025150/6426	HYDRAULIC JACK D.40 d.25 STROKE 150	-	2
41	MI5028L815/02	VINEYARD-USE ECOSPRINT MOVEMENT JACK	1	-
41	MI5028L1000	FRUIT-USE ECOSPRINT MOVEMENT JACK	-	1
42	NR1238	GAS REDUCTION NIPPLE 1/2" – 3/8"	6	6
43	RF38	GAS DRILLED COUPLING 3/8"	6	6
44	SG014	SEMI-JOINT Z.14	1	1
45	TIR12M	MALE QUICK COUPLING CAP 1/2"	6	6
46	BI301290	90° FLANGE 1/2"	1	1
47	RG08XXARZ	GALV. GROWER WASHER D.8	4	4
48	TR234L1700FDF90	MOTOR SUPPLY PIPE 3/4" L.1700	1	-
48	TR234L2400FDF90	MOTOR SUPPLY PIPE 3/4" L.2400	-	1
49	T34L0500FDF90	MOTOR PUMP SUCTION PIPE 3/4" L.500	1	1
50	T34L2700FDF90	MOTOR RETURN PIPE 3/4" L. 3250	1	-
50	T34L3200FDF90	MOTOR RETURN PIPE 3/4" L. 3700	-	1
51	TR1T12L1000FDF90	VALVE/FILTER PIPE 1/2" L.1000	1	1
52	T12L0550FDFD	DISTRIBUTOR DISCHARGE PIPE 1/2" L.500	1	1
53	TR234L1000F90F90	VALVE/DISTRIBUTOR PIPE 3/4" L.1000	1	1
54	T14L3600GA/6056	HEAD INCLINATION/RISER JACK PIPE	4	-
54	T14L4300GA/6056	HEAD INCLINATION/RISER JACK PIPE	-	4
55	T14L3300GA/6056	SIDE MOVEMENT JACK PIPE	2	2

* replaced

HYDRAULIC 1 LEVER ECOSPRINT – EXCHANGER

60.12.0715



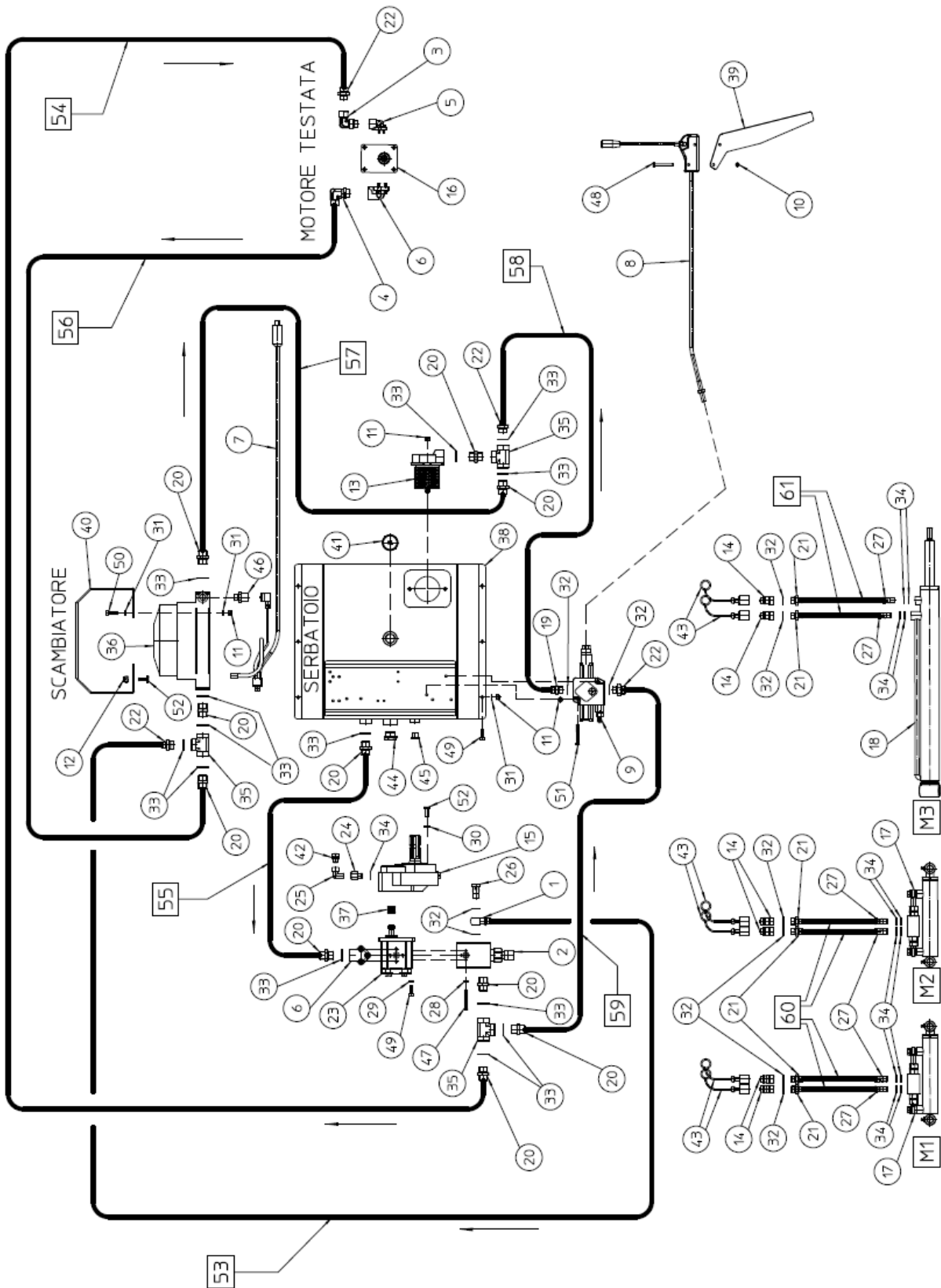
HYDRAULIC 1 LEVER ECOSPRINT – EXCHANGER

Ref	CODE	DESCRIPTION	90 - 140	140 - 240
1	041000003	THREADED EYE 1/2 "	1	1
2	042600001	CAPACITY ADJUSTMENT VALVE	1	1
3	AF9012FMG	90° ADAPTER 1/2" F+M+RING NUT	1	1
4	AF9034MMG	90° ADAPTER 3/4" M+M+RING NUT	1	1
5	BI301290	90° FLANGE 1/2"	1	1
6	BI403490	90° FLANGE 3/4"	2	2
7	CASCL3500	HEAT EXCHANGER ELECTRICAL CABLE	1	1
8	CFL2500NL	FLEXIBLE CABLE L.2500 + LEVER	1	1
9	D112SEKI	DISTRIBUTOR	1	1
10	DE06AL6SPGZAB	GALV. HIGH SELF-LOCKING HEX. NUT 6	2	2
11	DE08AL6SPGZAB	GALV. HIGH SELF-LOCKING HEX. NUT 8	14	14
12	DE10AL6SPGZAB	GALV. HIGH SELF-LOCKING HEX. NUT 10	2	2
13	FS7534	TANK DISCHARGE FILTER	1	1
14	IR12MS	BALL MALE 1/2" QUICK COUPLING	6	6
15	MAM02R130	PUMP MULTIPLIER	1	1
16	MI226PN	RIGHT GEAR MOTOR	1	1
17	MI4025100/6808	HYDRAULIC JACK D.40 d.25 STROKE 110	2	-
17	MI4025150/6426	HYDRAULIC JACK D.40 d.25 STROKE 150	-	2
18	MI5028L815/02	VINEYARD-USE ECOSPRINT MOVEMENT JACK	1	-
18	MI5028L1000	FRUIT-USE ECOSPRINT MOVEMENT JACK	-	1
19	NG12	GAS JOINT NIPPLE 1/2"	1	1
20	NG34	GAS JOINT NIPPLE 3/4"	10	10
21	NR1238	GAS REDUCTION NIPPLE 1/2" – 3/8"	6	6
22	NR3412	REDUCTION NIPPLE 3/4" – 1/2"	4	4
23	PI226D4F	GEAR PUMP	1	1
24	PMF38020	GAS MALE-FEMALE EXTENSION 3/8	1	1
25	RA3890MF	90° MALE COUPLING D.6 F 1/8"	1	1
26	RF12	GAS DRILLED COUPLING 1/2	1	1
27	RF38	GAS DRILLED COUPLING 3/8"	6	6
28	RG06XXARZ	GALV. GROWER WASHER D.6	3	3
29	RG08XXARZ	GALV. GROWER WASHER D.8	4	4
30	RG10XXARZ	GALV. GROWER WASHER D.10	4	4
31	RP08XXFZ	GALV. FLAT WASHER D.8	14	14
32	RR12	COPPER WASHER 1/2"	10	10
33	RR34	COPPER WASHER 3/4"	13	13
34	RR38	COPPER WASHER 3/8"	13	13
35	RTFFF34	"T" COUPLING "T" F+F+F 3/4"	3	3
36	SC001	HEAT EXCHANGER	1	1
37	SG014	SEMI-JOINT Z.14	1	1
38	SI/2009	TANK 80 LT	1	1

* replaced

HYDRAULIC 1 LEVER ECOSPRINT – EXCHANGER

60.12.0715



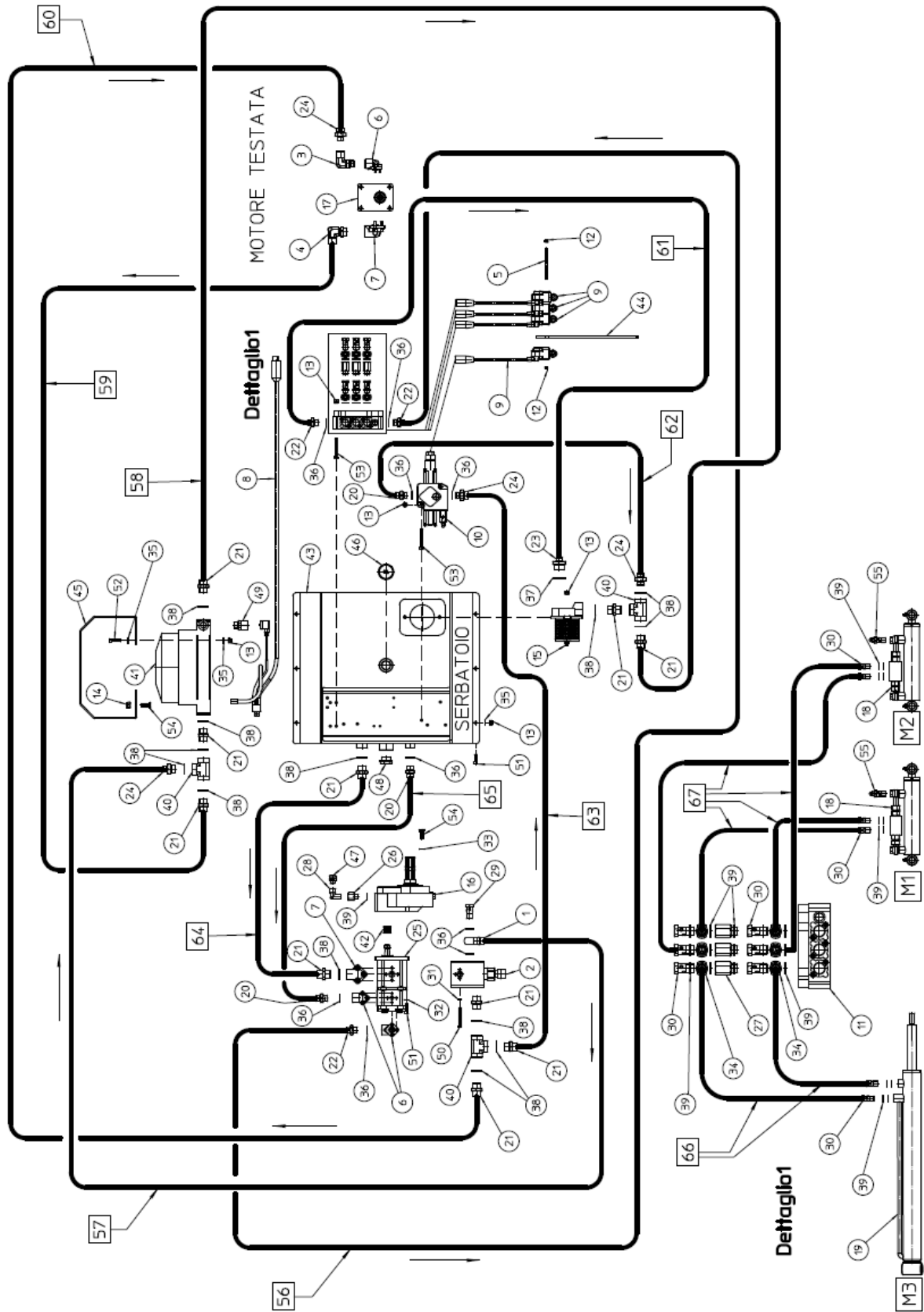
HYDRAULIC 1 LEVER ECOSPRINT – EXCHANGER

Ref	CODE	DESCRIPTION	90 - 140	140 - 240
39	SL/1490	LEVER COUPLING BRACKET	1	1
40	SR/6623	EXCHANGER SUPPORT	1	1
41	TCO1	OIL FILLER CAP 1"	1	1
42	TCS38	OIL DRAIN CAP 3/8"	1	1
43	TIR12M	MALE QUICK COUPLING CAP 1/2"	6	6
44	TLO1	OIL LEVEL CAP	1	1
45	TM12P	MALE CAP 1/2"	1	1
46	TM50NA12	THERMOSTAT	1	1
47	V060602PF088Z	GALV. SCREW TE 6X60	3	3
48	V060602TF088Z	GALV. SCREW TE 6X600	2	2
49	V080251TF129Z	GALV. SCREW TCEI 8X25	10	10
50	V080301TF088Z	GALV. SCREW TCEI 8X30	4	4
51	V080602PF088Z	GALV. SCREW TE 8X60	2	2
52	V100252TF088Z	GALV. SCREW TE 10X25	6	6
53	T12L0700FDF90	VALVE/EXCHANGER PIPE 1/2" L.700	1	1
54	TR234L1700FDF90	MOTOR SUPPLY PIPE 3/4" L.1700	1	-
54	TR234L2400FDF90	MOTOR SUPPLY PIPE 3/4" L.2400	-	1
55	T34L0500FDF90	MOTOR PUMP SUCTION PIPE 3/4" L.500	1	1
56	T34L2400FDF90	MOTOR RETURN PIPE 3/4" L. 2400	1	-
56	T34L3000FDF90	MOTOR RETURN PIPE 3/4" L. 3000	-	1
57	T34L0700FDF90	EXCHANGER/FILTER PIPE	1	1
58	T12L0500F90F90	DISTRIBUTOR DISCHARGE PIPE 1/2" L.500	1	1
59	TR234L1000F90F90	VALVE/DISTRIBUTOR PIPE 3/4" L.1000	1	1
60	T14L3600GA/6056	HEAD INCLINATION/RISER JACK PIPE	4	-
60	T14L4300GA/6056	HEAD INCLINATION/RISER JACK PIPE	-	4
61	T14L3300GA/6056	SIDE MOVEMENT JACK PIPE	2	2

* replaced

HYDRAULIC 4 LEVER ECOSPRINT – EXCHANGER

60.12.0715.0001



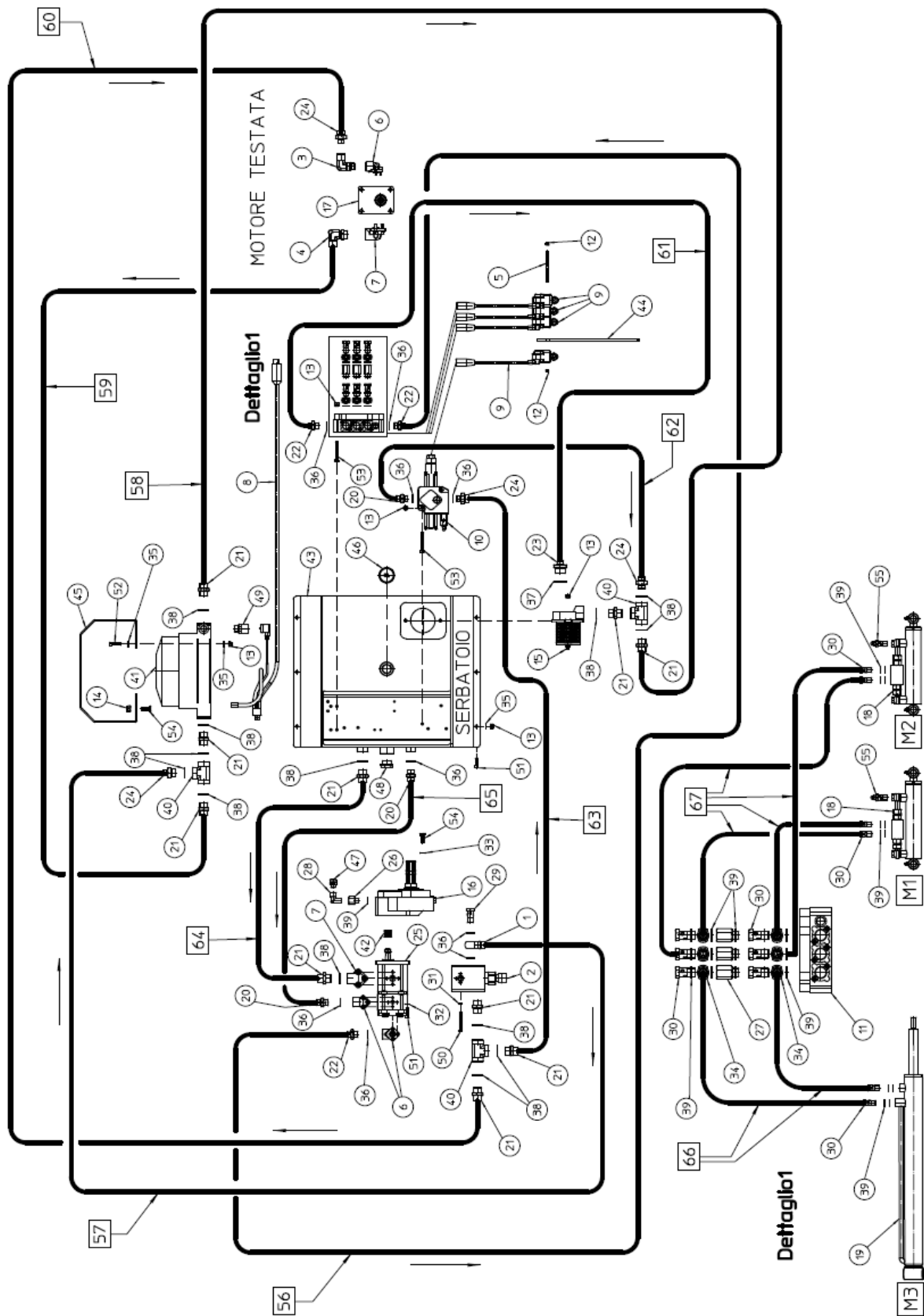
HYDRAULIC 4 LEVER ECOSPRINT – EXCHANGER

Ref	CODE	DESCRIPTION	90 - 140	140 - 240
1	041000003	THREADED EYE 1/2 "	1	1
2	042600001	CAPACITY ADJUSTMENT VALVE	1	1
3	AF9012FMG	90° ADAPTER 1/2" F+M+RING NUT	1	1
4	AF9034MMG	90° ADAPTER 3/4" M+M+RING NUT	1	1
5	BF06PGZ	THREADED BAR M.6 L.200	2	2
6	BI301290	90° FLANGE 1/2"	3	3
7	BI403490	90° FLANGE 3/4"	2	2
8	CASCL3500	HEAT EXCHANGER ELECTRICAL CABLE	1	1
9	CFL2500NL	FLEXIBLE CABLE L.2500 + LEVER	4	4
10	D112SEKI	1-LEVER DISTRIBUTOR	1	1
11	D3L38DEKI	3-LEVER DISTRIBUTOR	1	1
12	DE06AL6SPGZAB	GALV. HIGH SELF-LOCKING HEX. NUT 6	4	4
13	DE08AL6SPGZAB	GALV. HIGH SELF-LOCKING HEX. NUT 8	17	17
14	DE10AL6SPGZAB	GALV. HIGH SELF-LOCKING HEX. NUT 10	2	2
15	FS7534	TANK DISCHARGE FILTER	1	1
16	MAM02R130	PUMP MULTIPLIER	1	1
17	MI226PN	RIGHT GEAR MOTOR	1	1
18	MI4025100/6808	HYDRAULIC JACK D.40 d.25 STROKE 110	2	-
18	MI4025150/6426	HYDRAULIC JACK D.40 d.25 STROKE 150	-	2
19	MI5028L815/02	VINEYARD-USE ECOSPRINT MOVEMENT JACK	1	-
19	MI5028L1000	FRUIT-USE ECOSPRINT MOVEMENT JACK	-	1
20	NG12	GAS JOINT NIPPLE 1/2"	3	3
21	NG34	GAS JOINT NIPPLE 3/4"	10	10
22	NR1238	GAS REDUCTION NIPPLE 1/2" – 3/8"	3	3
23	NR1P12	GAS REDUCTION NIPPLE 1" – 1/2"	1	1
24	NR3412	GAS REDUCTION NIPPLE 3/4" – 1/2"	4	4
25	PD226170DUA	DOUBLE PUMP	1	1
26	PMF38020	GAS MALE-FEMALE EXTENSION 3/8" H.20	1	1
27	PMF38030	GAS MALE-FEMALE EXTENSION 3/8" H.30	3	3
28	RA3890MF	90° COUPLING	1	1
29	RF12	GAS DRILLED COUPLING 1/2"	1	1
30	RF38	GAS DRILLED COUPLING 3/8"	12	12
31	RG06XXARZ	GALV. GROWER WASHER D.6	3	3
32	RG08XXARZ	GALV. GROWER WASHER D.8	4	4
33	RG10XXARZ	GALV. GROWER WASHER D.10	4	4
34	RO38B	GAS EYE COUPLING 3/8"	6	6
35	RP08XXFZ	GALV. FLAT WASHER D.8	14	14
36	RR12	COPPER WASHER 1/2"	9	9
37	RR1P	COPPER WASHER 1"	1	1
38	RR34	COPPER WASHER 3/4"	14	14

* replaced

HYDRAULIC 4 LEVER ECOSPRINT – EXCHANGER

60.12.0715.0001



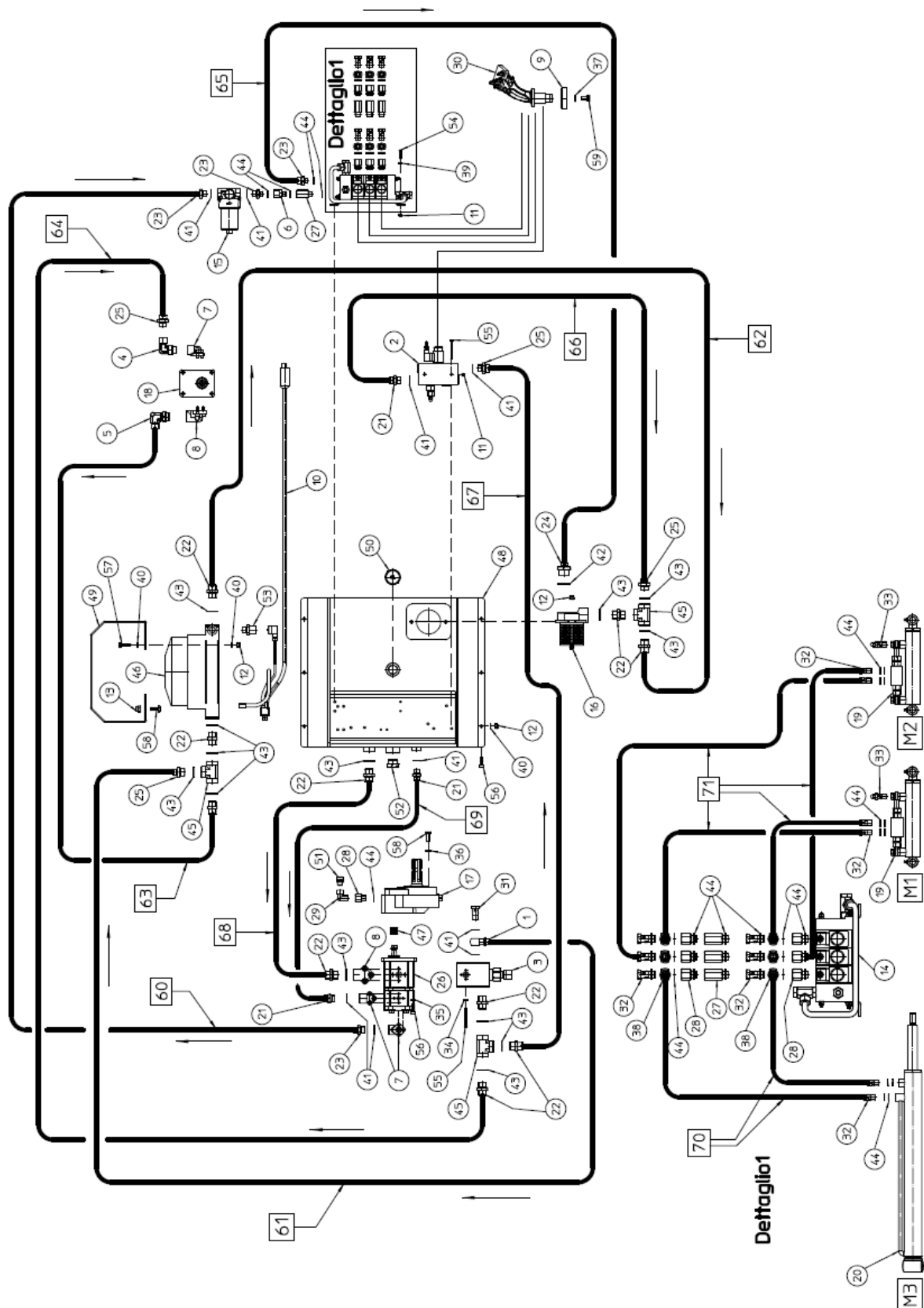
HYDRAULIC 4 LEVER ECOSPRINT – EXCHANGER

Ref	CODE	DESCRIPTION	90 - 140	140 - 240
39	RR38	COPPER WASHER 3/8"	28	28
40	RTFFF34	"T" COUPLING "T" F+F+F 3/4"	3	3
41	SC001	HEAT EXCHANGER	1	1
42	SG014	SEMI-JOINT Z.14	1	1
43	SI/2009	TANK 80 LT	1	1
44	SL/1490	LEVER COUPLING BRACKET	1	1
45	SR/6623	EXCHANGER SUPPORT	1	1
46	TCO1	OIL FILLER CAP 1"	1	1
47	TCS38	CAP	1	1
48	TLO1	OIL LEVEL CAP	1	1
49	TM50NA12	THERMOSTAT	1	1
50	V060602PF088Z	GALV. SCREW TE 6X60	3	3
51	V080251TF129Z	GALV. SCREW TCEI 8X25	10	10
52	V080301TF088Z	GALV. SCREW TCEI 8X30	4	4
53	V080602PF088Z	GALV. SCREW TE 8X60	5	5
54	V100252TF088Z	GALV. SCREW TE 10X25	6	6
55	RF38S	THROTTLE GAS DRILLED COUPLING 3/8"	2	2
56	T38L0950F90F90	SERVICES PUMP/DISTRIBUTOR PIPE	1	1
57	T12L0700FDF90	MOT / EXCHANGER VALVE EXHAUST PIPE	1	1
58	T34L0700FDF90	EXCHANGER / FILTER PIPE	1	1
59	T34L2400FDF90	MOTOR EXHAUST PIPE	1	-
59	T34L3000FDF90	MOTOR EXHAUST PIPE	-	1
60	TR234L1700FDF90	MOTOR SUPPLY PIPE	1	-
60	TR234L2400FDF90	MOTOR SUPPLY PIPE	-	1
61	T12L0550FDF90	SERVICES DISTRIBUTOR DISCHARGE PIPE	1	1
62	T12L0500F90F90	MOT / FILTER DISTRIBUTOR EXHAUST PIPE	1	1
63	TR234L1000F90F90	MOTOR VALVE / DISTRIBUTOR PIPE	1	1
64	T34L0500FDF90	MOTOR PUMP SUCTION PIPE	1	1
65	T12L0500FDF90	SERVICES PUMP SUCTION PIPE	1	1
66	T14L2000GA/6029	MOVEMENT JACK PIPE	2	2
67	T14L2200FD38O38GA	INCLINATION AND RISER JACK PIPE	4	-
67	T14L2850FD38O38GA	INCLINATION AND RISER JACK PIPE	-	4

* replaced

HYDRAULIC ECOSPRINT WITH 4 CONTROLS JOYSTICK – EXCHANGER

60.12.0715.0002



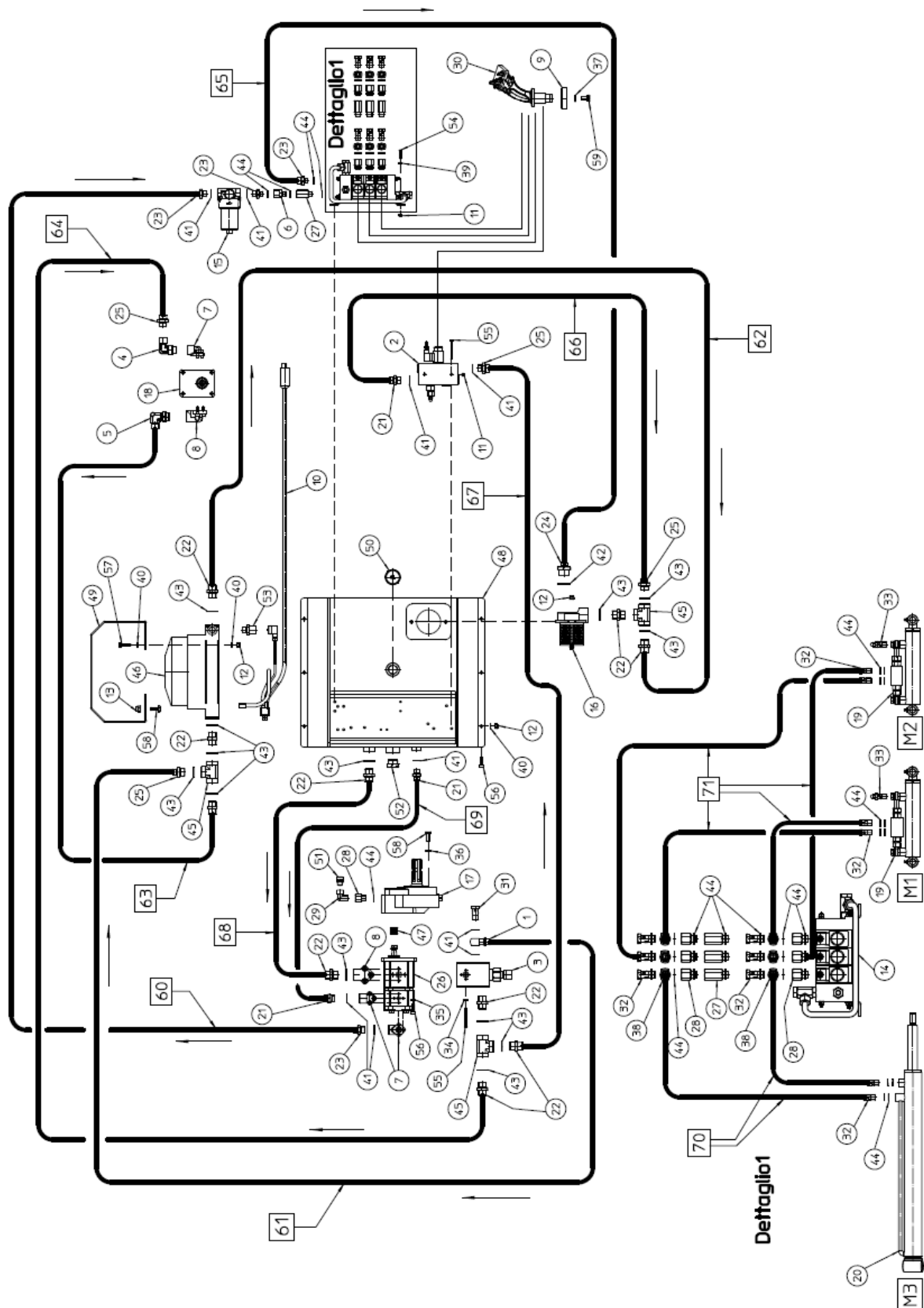
HYDRAULIC ECOSPRINT WITH 4 CONTROLS JOYSTICK – EXCHANGER

Ref	CODE	DESCRIPTION	90 - 140	140 - 240
1	041000003	THREADED EYE 1/2"	1	1
2	042000004	ELECTRICAL CONTROL DISTRIBUTOR	1	1
3	042600001	CAPACITY ADJUSTMENT VALVE	1	1
4	AF9012FMG	90° ADAPTER 1/2" F+M+RING NUT	1	1
5	AF9034MMG	90° ADAPTER 3/4" M+M+RING NUT	1	1
6	ALMFO38	MALE/FEMALE IN LINE ADAPTER 3/8"	1	1
7	BI301290	90° FLANGE 1/2"	3	3
8	BI403490	90° FLANGE 3/4"	2	2
9	BM71105	FIXING MAGNET	1	1
10	CASCL3500	HEAT EXCHANGER ELECTRICAL CABLE	1	1
11	DE06AL6SPGZAB	GALV. HIGH SELF-LOCKING HEX. NUT 6	6	6
12	DE08AL6SPGZAB	GALV. HIGH SELF-LOCKING HEX. NUT 8	12	12
13	DE10AL6SPGZAB	GALV. HIGH SELF-LOCKING HEX. NUT 10	2	2
14	ED03	ELECTRO-DISTRIBUTOR	1	1
15	FE/001	ELECTRICAL CIRCUIT FILTER	1	1
16	FS7534	TANK DISCHARGE FILTER	1	1
17	MAM02R130	PUMP MULTIPLIER	1	1
18	MI226PN	RIGHT GEAR MOTOR	1	1
19	MI4025100/6808	HYDRAULIC JACK D.40 d.25 STROKE 110	2	-
29	MI4025150/6426	HYDRAULIC JACK D.40 d.25 STROKE 150	-	2
20	MI5028L815/02	VINEYARD-USE ECOSPRINT MOVEMENT JACK	1	-
20	MI5028L1000	FRUIT-USE ECOSPRINT MOVEMENT JACK	-	1
21	NG12	GAS JOINT NIPPLE 1/2"	3	3
22	NG34	GAS JOINT NIPPLE 3/4"	10	10
23	NR1238	GAS REDUCTION NIPPLE 1/2" – 3/8"	4	4
24	NR1P12	GAS REDUCTION NIPPLE 1" – 1/2"	1	1
25	NR3412	GAS REDUCTION NIPPLE 3/4" – 1/2"	4	4
26	PD226170DUA	DOUBLE PUMP	1	1
27	PMF38	GAS MALE-FEMALE EXTENSION 3/8" H.45	4	4
28	PMF38020	GAS MALE-FEMALE EXTENSION 3/8" H.20	7	7
29	RA3890MF	90° COUPLING	1	1
30	RC011	ELECTRICAL JOYSTICK KIT	1	1
31	RF12	GAS DRILLED COUPLING 1/2"	1	1
32	RF38	GAS DRILLED COUPLING 3/8"	12	12
33	RF38S	THROTTLE GAS DRILLED COUPLING 3/8"	2	2
34	RG06XXARZ	GALV. GROWER WASHER D.6	3	3
35	RG08XXARZ	GALV. GROWER WASHER D.8	4	4
36	RG10XXARZ	GALV. GROWER WASHER D.10	4	4
37	RG12XXARZ	GALV. GROWER WASHER D.12	1	1
38	RO38B	GAS EYE COUPLING 3/8"	6	6

* replaced

HYDRAULIC ECOSPRINT WITH 4 CONTROLS JOYSTICK – EXCHANGER

60.12.0715.0002



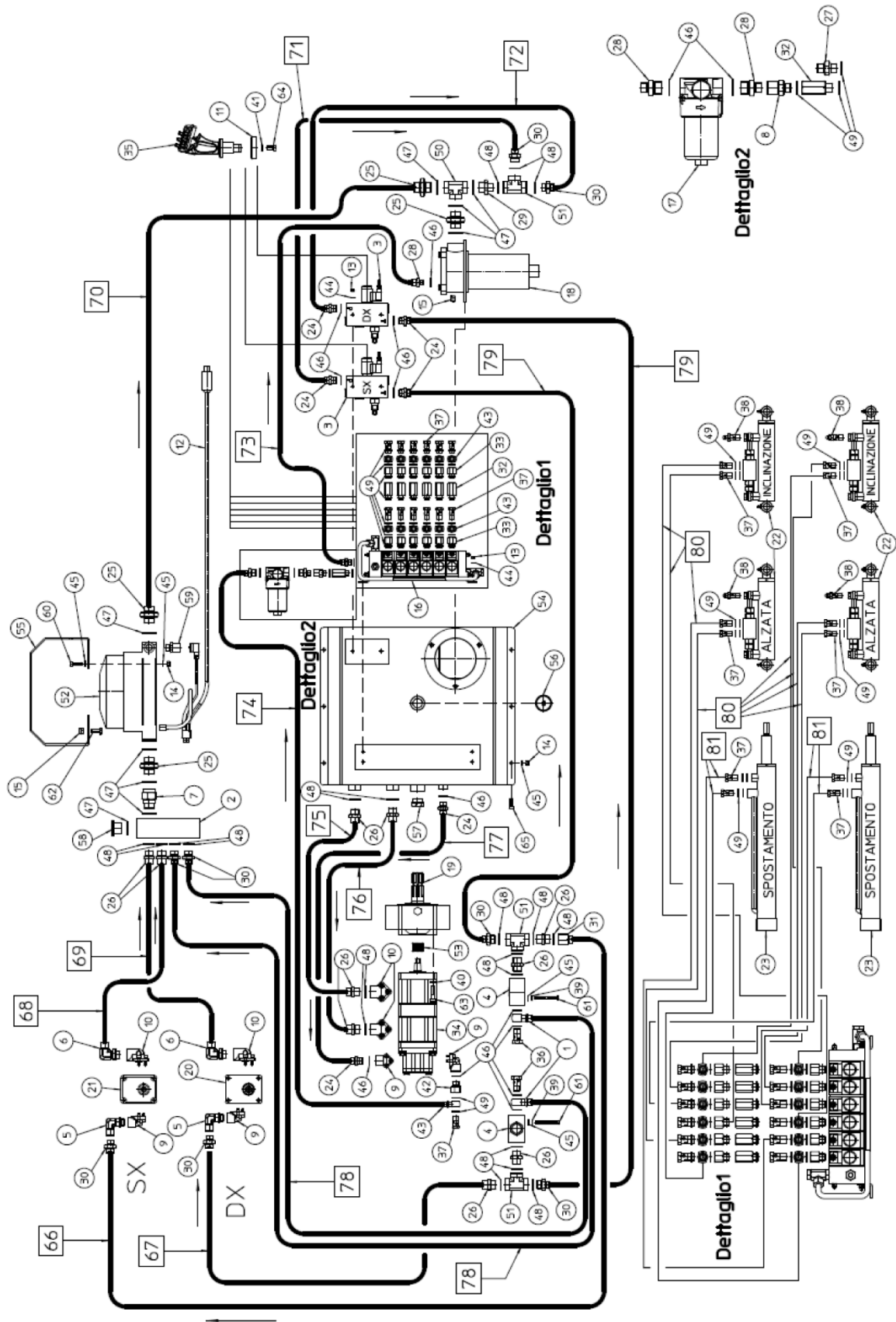
HYDRAULIC ECOSPRINT WITH 4 CONTROLS JOYSTICK – EXCHANGER

Ref	CODE	DESCRIPTION	90 - 140	140 - 240
39	RP06XXFZ	GALV. FLAT WASHER D.6	4	4
40	RP08XXFZ	GALV. FLAT WASHER D.8	14	14
41	RR12	COPPER WASHER 1/2"	9	9
42	RR1P	COPPER WASHER 1"	1	1
43	RR34	COPPER WASHER 3/4"	13	13
44	RR38	COPPER WASHER 3/8"	38	38
45	RTFFF34	"T" COUPLING "T" F+F+F 3/4"	3	3
46	SC001	HEAT EXCHANGER	1	1
47	SG014	SEMI-JOINT Z.14	1	1
48	SI/2009	TANK 80 LT	1	1
49	SR/6623	EXCHANGER SUPPORT	1	1
50	TCO1	OIL FILLER CAP 1"	1	1
51	TCS38	CAP	1	1
52	TLO1	OIL LEVEL CAP	1	1
53	TM50NA12	THERMOSTAT	1	1
54	V060252TF088Z	GALV. SCREW TE 6X25	4	4
55	V060602PF088Z	GALV. SCREW TE 6X60	5	5
56	V080251TF129Z	GALV. SCREW TCEI 8X25	10	10
57	V080301TF088Z	GALV. SCREW TCEI 8X30	4	4
58	V100252TF088Z	GALV. SCREW TE 10X25	6	6
59	V120202TF088Z	GALV. SCREW TE 12X20	1	1
60	T38L0950F90F90	SERVICES PUMP/DISTRIBUTOR PIPE	1	1
61	T12L0700FDF90	MOT / EXCHANGER VALVE EXHAUST PIPE	1	1
62	T34L0700FDF90	EXCHANGER / FILTER PIPE	1	1
63	T34L2400FDF90	MOTOR EXHAUST PIPE	1	-
63	T34L3000FDF90	MOTOR EXHAUST PIPE	-	1
64	TR234L1700FDF90	MOTOR SUPPLY PIPE	1	-
64	TR234L2400FDF90	MOTOR SUPPLY PIPE	-	1
65	T12L0550FDF90	SERVICES DISTRIBUTOR DISCHARGE PIPE	1	1
66	T12L0500F90F90	MOT / FILTER DISTRIBUTOR EXHAUST PIPE	1	1
67	TR234L1000F90F90	MOTOR VALVE / DISTRIBUTOR PIPE	1	1
68	T34L0500FDF90	MOTOR PUMP SUCTION PIPE	1	1
69	T12L0500FDF90	SERVICES PUMP SUCTION PIPE	1	1
70	T14L2000GA/6029	MOVEMENT JACK PIPE	2	2
71	T14L2200FD38O38GA	INCLINATION AND RISER JACK PIPE	4	-
71	T14L2850FD38O38GA	INCLINATION AND RISER JACK PIPE	-	4

* replaced

ECOSPRINT HYDRAULIC

60.12.0815



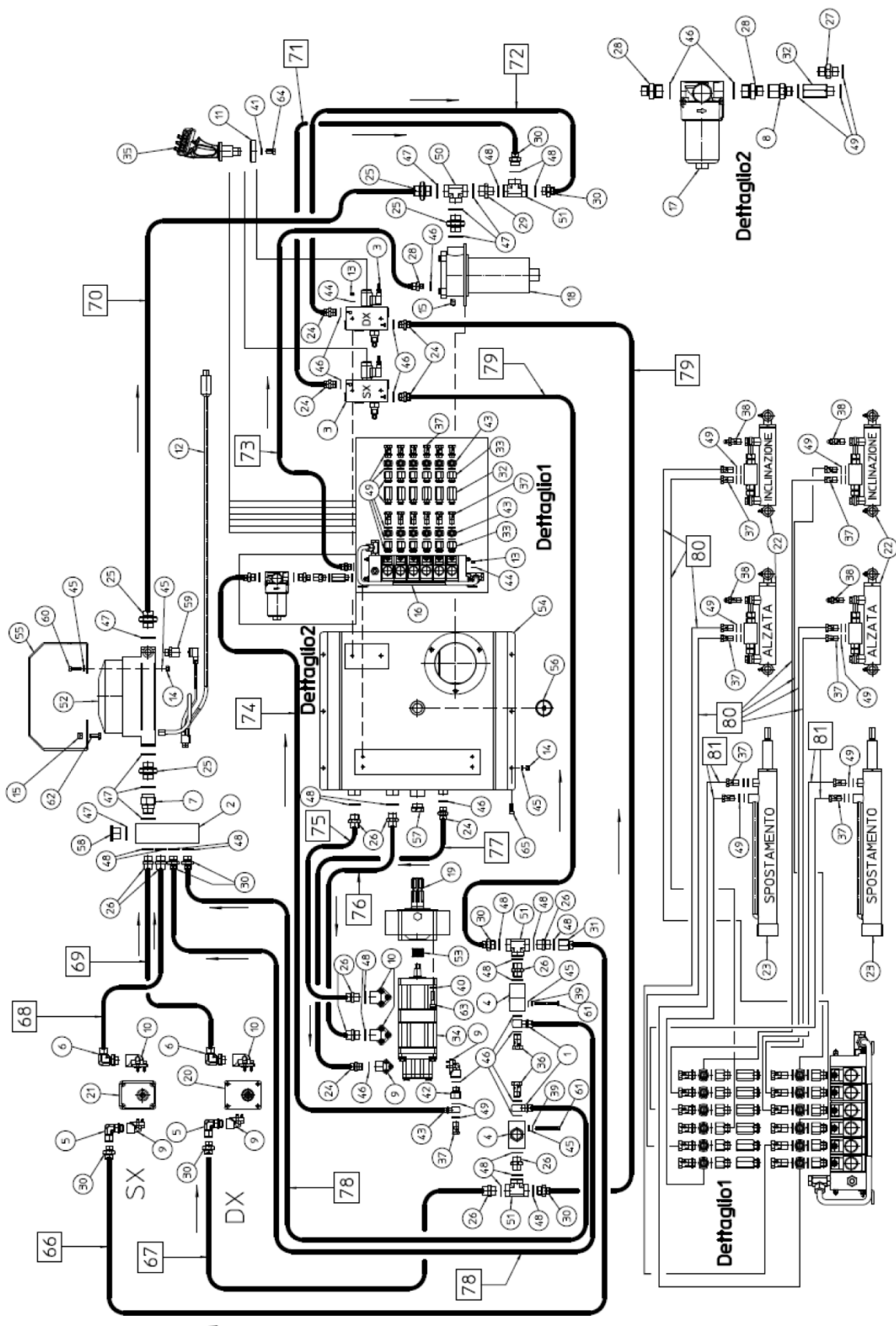
ECOSPRINT HYDRAULIC

Ref	CODE	DESCRIPTION	90 - 140	140 - 240
1	041000003	THREADED EYE 1/2"	2	2
2	041800002	6-WAY 3/4" COUPLING BLOCK	1	1
3	042000004	ELECTRICAL CONTROL DISTRIBUTOR	2	2
4	042600001	CAPACITY ADJUSTMENT VALVE	2	2
5	AF9012FMG	90° ADAPTER 1/2" F+M+RING NUT	2	2
6	AF9034MMG	90° ADAPTER 3/4" M+M+RING NUT	2	2
7	ALMFO1	MALE/FEMALE IN LINE ADAPTER 1"	1	1
8	ALMFO38	MALE/FEMALE IN LINE ADAPTER 3/8"	1	1
9	BI301290	90° FLANGE 1/2"	4	4
10	BI403490	90° FLANGE 3/4"	4	4
11	BM71105	FIXING MAGNET	1	1
12	CASCL3500	HEAT EXCHANGER ELECTRICAL CABLE	1	1
13	DE06AL6SPGZAB	GALV. HIGH SELF-LOCKING HEX. NUT 6	6	6
14	DE08AL6SPGZAB	GALV. HIGH SELF-LOCKING HEX. NUT 8	10	10
15	DE10AL6SPGZAB	GALV. HIGH SELF-LOCKING HEX. NUT 10	5	5
16	ED06	ELECTRO-DISTRIBUTOR	1	1
17	FE/001	ELECTRICAL CIRCUIT FILTER	1	1
18	FS15034	TANK DISCHARGE FILTER	1	1
19	MAM03R130	PUMP MULTIPLIER	1	1
20	MI226PN	RIGHT GEAR MOTOR	1	1
21	MI226PNS	LEFT GEAR MOTOR	1	1
22	MI4025100/6808	HYDRAULIC JACK D.40 d.25 STROKE 110	4	-
22	MI4025150/6426	HYDRAULIC JACK D.40 d.25 STROKE 150	-	4
23	MI5028L608	VINEYARD-USE ECOSPRINT MOVEMENT JACK	2	-
23	MI5028L700	FRUIT-USE ECOSPRINT MOVEMENT JACK	-	2
24	NG12	GAS JOINT NIPPLE 1/2"	6	6
25	NG1P	GAS JOINT NIPPLE 1"	4	4
26	NG34	GAS JOINT NIPPLE 3/4"	10	10
27	NG38	GAS JOINT NIPPLE 3/8"	1	1
28	NR1238	GAS REDUCTION NIPPLE 1/2" - 3/8"	3	3
29	NR1P34	GAS NIPPLE REDUCTION 1" - 3/4"	1	1
30	NR3412	GAS REDUCTION NIPPLE 3/4" - 1/2"	8	8
31	PMF34030	GAS MALE-FEMALE EXTENSION 3/4" H.30	1	1
32	PMF38	GAS MALE-FEMALE EXTENSION 3/8" H.45	4	4
33	PMF38020	GAS MALE-FEMALE EXTENSION 3/8" H.20	7	7
34	PT32626204D	TRIPLE PUMP	1	1
35	RC013	ELECTRICAL JOYSTICK KIT	1	1
36	RF12	GAS DRILLED COUPLING 1/2"	2	2
37	RF38	GAS DRILLED COUPLING 3/8"	25	25
38	RF38S	THROTTLE GAS DRILLED COUPLING 3/8"	4	4

* replaced

ECOSPRINT HYDRAULIC

60.12.0815



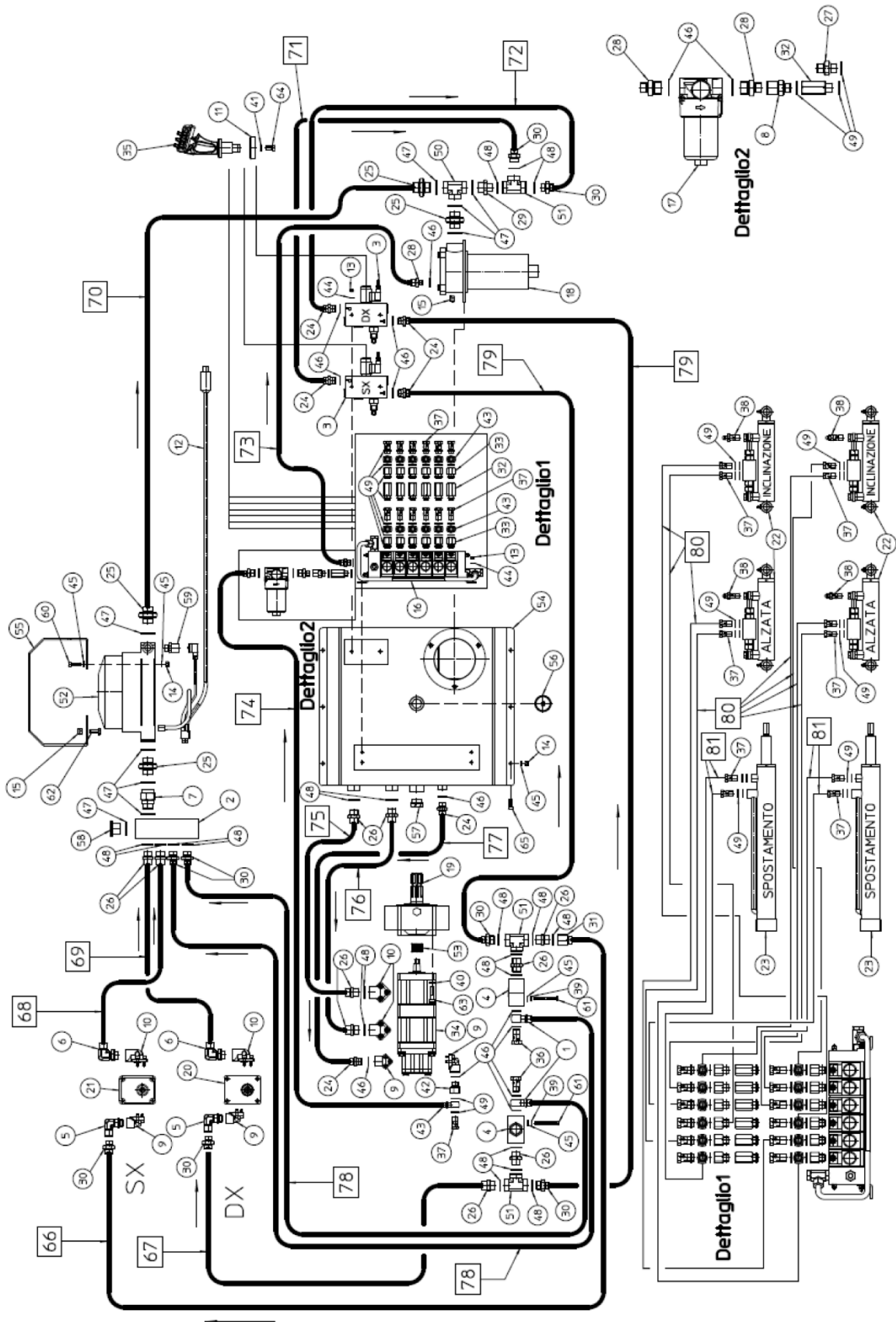
ECOSPRINT HYDRAULIC

Ref	CODE	DESCRIPTION	90 - 140	140 - 240
39	RG08XXARZ	GALV. GROWER WASHER D.8	6	6
40	RG10XXARZ	GALV. GROWER WASHER D.10	4	4
41	RG12XXARZ	GALV. GROWER WASHER D.12	1	1
42	RM12F38	MALE 1/2"/FEMALE 3/8" REDUCTION	1	1
43	RO38B	GAS EYE COUPLING 3/8"	13	13
44	RP06XXFZ	GALV. FLAT WASHER D.6	6	6
45	RP08XXFZ	GALV. FLAT WASHER D.8	20	20
46	RR12	COPPER WASHER 1/2"	14	14
47	RR1P	COPPER WASHER 1"	9	9
48	RR34	COPPER WASHER 3/4"	20	20
49	RR38	COPPER WASHER 3/8"	71	71
50	RTFFF1	"T" COUPLING "T" F+F+F 1"	1	1
51	RTFFF34	"T" COUPLING "T" F+F+F 3/4"	3	3
52	SC001	HEAT EXCHANGER	1	1
53	SG018G3	SEMI-JOINT Z.18	1	1
54	SI/7323	TANK 90 LT	1	1
55	SR/6623	EXCHANGER SUPPORT	1	1
56	TCO1	OIL FILLER CAP 1"	1	1
57	TLO1	OIL LEVEL CAP	1	1
58	TM1P	MALE CAP 1"	1	1
59	TM50NA12	THERMOSTAT	1	1
60	V080301TF088Z	GALV. SCREW TCEI 8X30	4	4
61	V080702TF088Z	GALV. SCREW TE 8X70	6	6
62	V100252TF088Z	GALV. SCREW TE 10X25	2	2
63	V100401TF109Z	GALV. SCREW TCEI 10X40	4	4
64	V120202TF088Z	GALV. SCREW TE 12X20	1	1
65	V080251TF129Z	GALV. SCREW TCEI 8X25	10	10
66	TR234L1800FDF90	VINEYARD-USE LEFT MOTOR SUPPLY PIPE	1	-
66		FRUIT-USE LEFT MOTOR SUPPLY PIPE	-	1
67	TR234L1400FDF90	VINEYARD-USE RIGHT MOTOR SUPPLY PIPE	1	-
67		FRUIT-USE RIGHT MOTOR SUPPLY PIPE	-	1
68	T34L1800FDF90	VINEYARD-USE LEFT MOTOR EXHAUST PIPE	1	-
68		FRUIT-USE LEFT MOTOR EXCHANGE PIPE	-	1
69	T34L2100FDF90	VINEYARD-USE RIGHT MOTOR EXHAUST PIPE	1	-
69		FRUIT-USE RIGHT MOTOR EXHAUST PIPE	-	1
70	T110700FDF90	EXCHANGER EXHAUST PIPE	1	1
71	T12L0550FDF45	LEFT MOTOR SOLENOID VALVE EXHAUST PIPE	1	1
72	T12L0650F90F45	RIGHT MOTOR SOLENOID VALVE EXHAUST PIPE	1	1
73	T12L0500F90F90	ELECTRO-DISTRIBUTOR EXHAUST PIPE	1	1

* replaced

ECOSPRINT HYDRAULIC

60.12.0815



ECOSPRINT HYDRAULIC

Ref	CODE	DESCRIPTION	90 - 140	140 - 240
74	T38L0850FDF90	ELECTRO-DISTRIBUTOR SUPPLY PIPE	1	1
75	T34L0700FDF90	LEFT MOTOR PUMP SUCTION PIPE	1	1
76	T34L0750FDF90	RIGHT MOTOR PUMP SUCTION PIPE	1	1
77	T12L0550FDF90	ELECTRO-DISTRIBUTOR PUMP SUCTION PIPE	1	1
78	T12R12PU/3272	COLUMN EXHAUST PIPE	2	2
79	TR212L1600F90F90	MOTOR VALVE EXHAUST PIPE	2	2
80	T14L2000OO38GA	INCLINATION AND RISER JACK PIPE	8	-
80		INCLINATION AND RISER JACK PIPE	-	8
81	T14L1600OO38GA	MOVEMENT JACK PIPE	4	-
81		MOVEMENT JACK PIPE	-	4

* replaced

ALWAYS REQUEST ORIGINAL SPARE PARTS



Via Musi, 1/A-3- 37042 Caldiero (VR) ITALY
Tel. +39.045.6139711 – Fax +39.045.6150251
www.bertima.it - info@bertima.it