

FARMGARD
ROBUST MACHINERY THAT WORKS



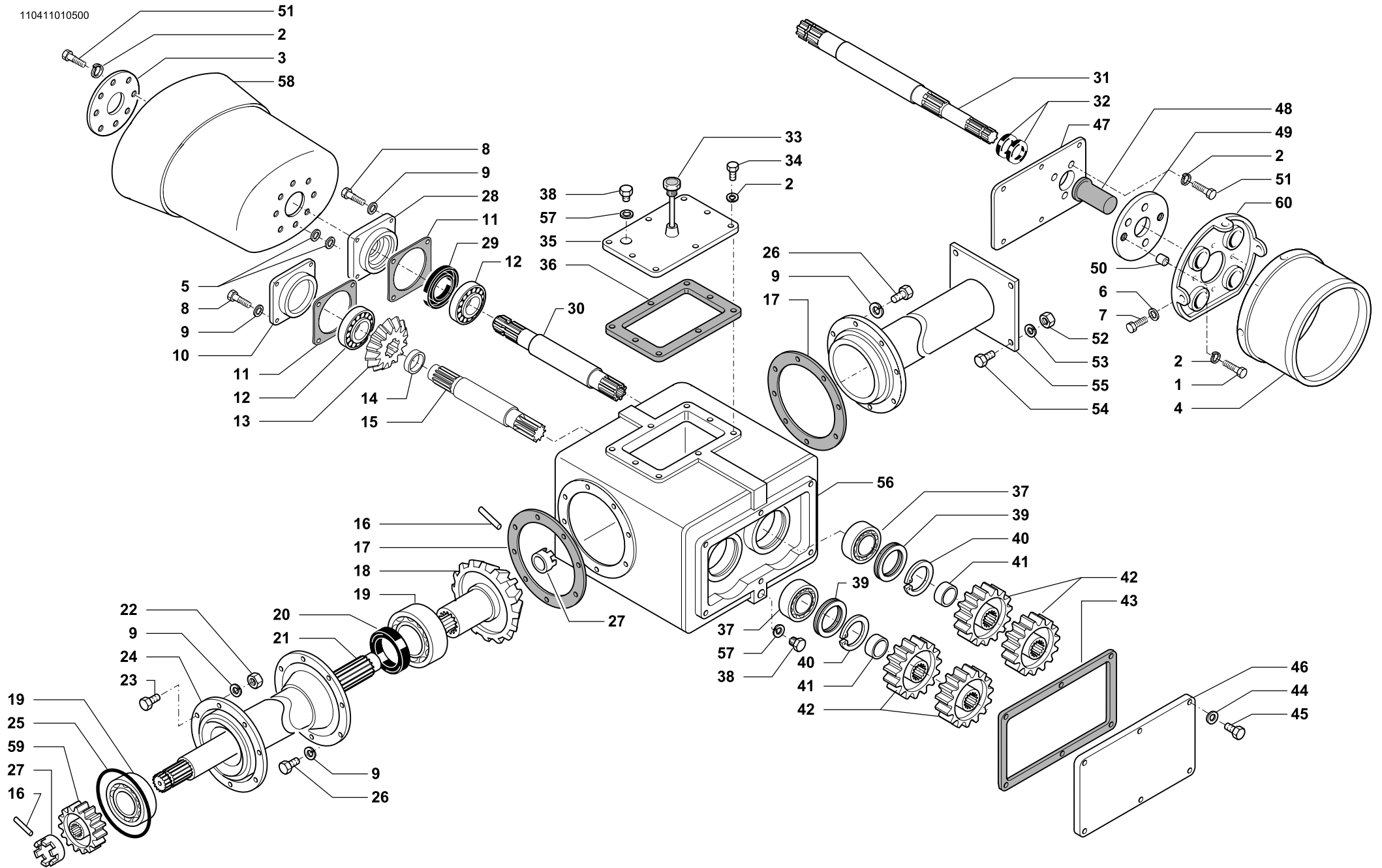
TIGER 190 TIGER 190 F

CELLI SPARE PARTS REFERENCE GUIDE

ROTARY HOE / SPIKE ROTOR



110411010500



SCATOLA CAMBIO 2 VELOCITÀ 540 E 1000G/M • 2 SPEED GEARBOX
 GETRIEBEGEHAUSE 2 GESCHW. • BÔITE 2 VITESSES

| | | | |
|----------------------|---------------|------|----------------|
| Tav. Tab. Taf. | 110411 | Rev. | 01 0500 |
|----------------------|---------------|------|----------------|



SCATOLA CAMBIO 2 VELOCITÀ 540 E 1000G/M • 2 SPEED GEARBOX
GETRIEBEGEHAUSE 2 GESCHW. • BÔITE 2 VITESSES

Tav.
Tab.
Taf.

110411

Rev.

01

0500

| RIF. | N. CODICE | DENOMINAZIONE | DENOMINATION | BEZEICHNUNG | DENOMINATION |
|------------|-----------|----------------|--------------------|-----------------|----------------|
| 1 | 014263 | Vite | Screw | Schraube | Vis |
| 2 | 011002 | Grower | Grower | Federscheibe | Grower |
| 3 | 612727 | Flangia | Flange | Flansch | Flasque |
| 4 | 124505 | Cuffia | Guard | Schütz | Protection |
| 5 | 010004 | Rondella | Washer | Unterlegscheibe | Rondelle |
| 6 | 010023 | Rondella | Washer | Unterlegscheibe | Rondelle |
| 7 | 014284 | Vite | Screw | Schraube | Vis |
| 8 | 014145 | Vite | Screw | Schraube | Vis |
| 9 | 011003 | Grower | Grower | Federscheibe | Grower |
| 10 | 421602 | Coperchio | Cover | Deckel | Couvercle |
| 11 | 424600 | Guarnizione | Gasket | Dichtring | Joint |
| 12 | 003044S | Cuscinetto | Bearing | Kugellager | Roulement |
| 13 | 422615 | Pignone Z15 | Pinion | Pignon | Ritzel |
| 14 | 423537 | Distanziale | Spacer | Distanzstueck | Entretoise |
| 15 | 423711 | Albero | Shaft | Welle | Arbre |
| 16 | 013034 | Spina elastica | Pin | Stift | Goupille |
| 17 | 424603 | Guarnizione | Gasket | Dichtring | Joint |
| 18 | 422616 | Corona Z 26 | Crownwheel | Zahnkranz | Couronne |
| 19 | 003132S | Cuscinetto | Bearing | Kugellager | Roulement |
| 20 | 007151 | Paraolio | Oil seal | Simmerring | Joint d' huile |
| 230 | 21 | 423703 | Semiasse L=1091 | Achswelle | Demi-axe |
| 255 | | 423704 | Semiasse L=1216 | Achswelle | Demi-axe |
| 280 | | 423705 | Semiasse L=1341 | Achswelle | Demi-axe |
| 305 | | 423706 | Semiasse L=1466 | Achswelle | Demi-axe |
| | 22 | 004030 | Dado | Nut | Ecrou |
| | 23 | 014254 | Vite | Screw | Vis |
| 230 | 24 | 461813 | Distanziale L=931 | Spacer | Entretoise |
| 255 | | 461814 | Distanziale L=1056 | Spacer | Entretoise |
| 280 | | 461815 | Distanziale L=1181 | Spacer | Entretoise |
| 305 | | 461816 | Distanziale L=1306 | Spacer | Entretoise |
| | 25 | 007154 | Guarnizione | Gasket | Joint |
| | 26 | 014106 | Vite | Screw | Vis |
| | 27 | 423713 | Dado corona | Nut | Ecrou |



SCATOLA CAMBIO 2 VELOCITÀ 540 E 1000G/M • 2 SPEED GEARBOX
GETRIEBEGEHAUSE 2 GESCHW. • BÖITE 2 VITESSES

Tav.
Tab.
Taf.

110411

Rev.

01

0500

| RIF. | N. CODICE | DENOMINAZIONE | DENOMINATION | BEZEICHNUNG | DENOMINATION |
|----------------|-----------|-------------------------------------|------------------|-----------------|---------------------|
| 28 | 421606 | Coperchio | Cover | Deckel | Couvercle |
| 29 | 007152 | Paraolio | Oil seal | Simmerring | Joint d' huile |
| 30 | 423789 | Albero | Shaft | Welle | Arbre |
| 31 | 423788 | Albero (P.D.F posteriore) | Shaft | Welle | Arbre |
| 32 | 007160 | Paraolio (P.D.F posteriore) | Oil seal | Simmerring | Joint d' huile |
| 33 | 022068 | Tappo 3/4 asta L=270 | Plug | Verschluss | Bouchon |
| 34 | 014144 | Vite | Screw | Schraube | Vis |
| 35 | 461073 | Coperchio predisposto kit raffredd. | Cover | Deckel | Couvercle |
| 36 | 424601 | Guarnizione | Gasket | Dichtring | Joint |
| 37 | 003112S | Cuscinetto | Bearing | Kugellager | Roulement |
| 38 | 022153 | Tappo 3/8 gas | Plug | Verschluss | Bouchon |
| 39 | 111504 | Serie spessori | Set spacers | Beilagscheiben | Serie d'épaisseures |
| 40 | 001033 | Anello di arresto | Stop ring | Sperring | Bague d'arret |
| 41 | 423715 | Distanziale | Spacer | Distanzstueck | Entretoise |
| 1000G/M | 42 | 422606 | Ingranaggio Z 14 | Zanhrad | Engrenage |
| 1000G/M | | 422607 | Ingranaggio Z 15 | Zanhrad | Engrenage |
| 540G/M | | 422600 | Ingranaggio Z 18 | Zanhrad | Engrenage |
| 540G/M | | 422601 | Ingranaggio Z 19 | Zanhrad | Engrenage |
| 540G/M | | 422602 | Ingranaggio Z 20 | Zanhrad | Engrenage |
| 540G/M | | 422603 | Ingranaggio Z 21 | Zanhrad | Engrenage |
| 1000G/M | | 422612 | Ingranaggio Z 24 | Zanhrad | Engrenage |
| 1000G/M | | 422613 | Ingranaggio Z 25 | Zanhrad | Engrenage |
| 43 | 424602 | Guarnizione | Gasket | Dichtring | Joint |
| 44 | 011012 | Rondella | Washer | Unterlegscheibe | Rondelle |
| 45 | 014205 | Vite | Screw | Schraube | Vis |
| 46 | 421603 | Coperchio | Cover | Deckel | Couvercle |
| 47 | 421605 | Coperchio (P.D.F posteriore) | Cover | Deckel | Couvercle |
| 48 | 099041 | Protezione (P.D.F posteriore) | Protection | Schutz | Protection |
| 49 | 661408 | Piastra (P.D.F posteriore) | Plate | Plate | Platte |
| 50 | 323644 | Distanziale (P.D.F posteriore) | Spacer | Distanzstueck | Entretoise |
| 51 | 014278 | Vite | Screw | Schraube | Vis |
| 52 | 004004 | Dado | Nut | Mutter | Ecrou |
| 53 | 011004 | Grower | Grower | Federscheibe | Grower |



SCATOLA CAMBIO 2 VELOCITÀ 540 E 1000G/M • 2 SPEED GEARBOX
GETRIEBEGEHAUSE 2 GESCHW. • BÔITE 2 VITESSES

Tav.
Tab.
Taf.

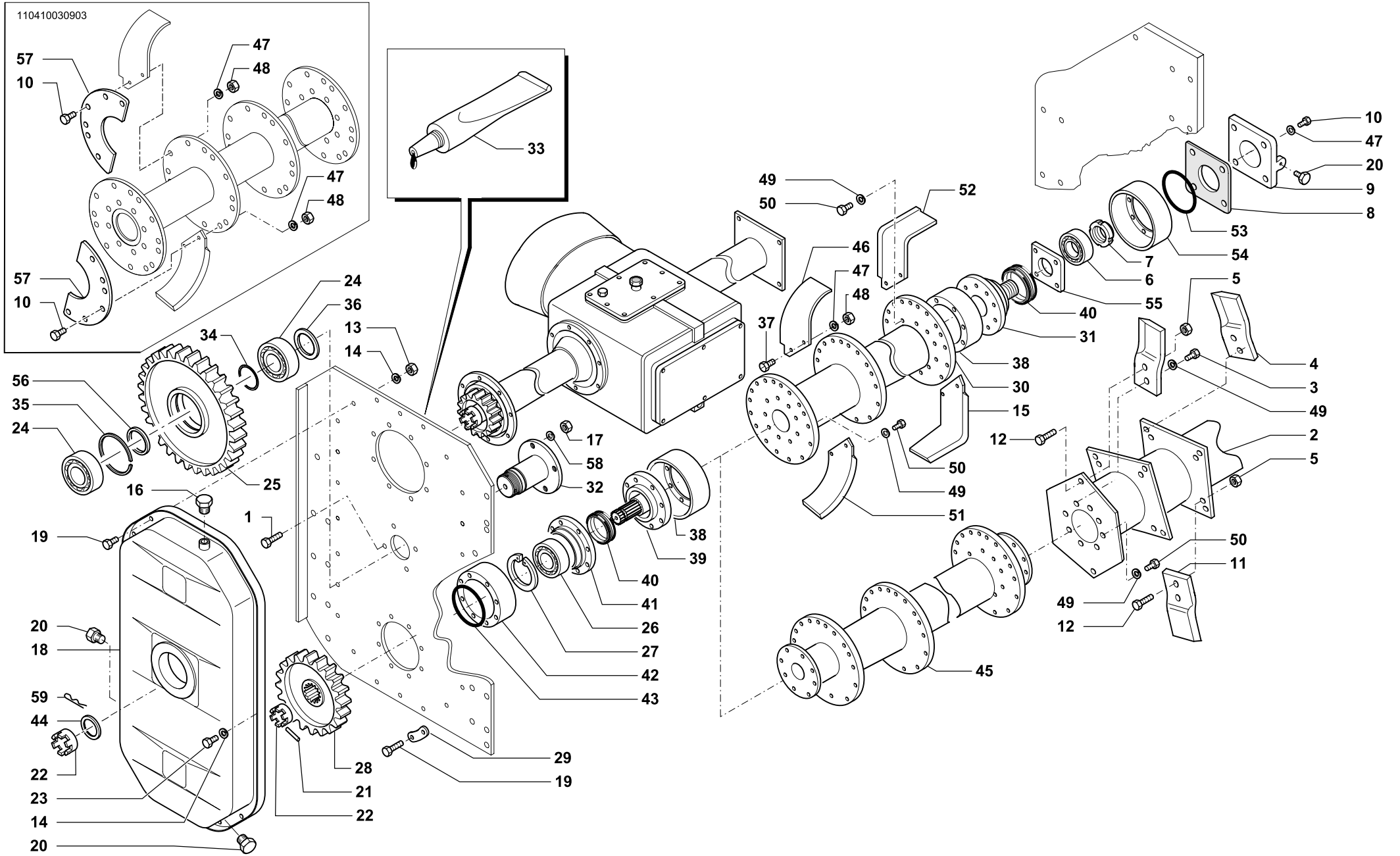
110411

Rev.

01 0500

| RIF. | N. CODICE | DENOMINAZIONE | DENOMINATION | BEZEICHNUNG | DENOMINATION |
|------------|-----------|-----------------------|-------------------------|-----------------|--------------------------|
| 54 | 014004 | Vite | Screw | Schraube | Vis |
| 230 | 55 | 461803 | Supporto scatola L=1063 | Halterung | Support boite de vitesse |
| 255 | | 461804 | Supporto scatola L=1088 | Halterung | Support boite de vitesse |
| 280 | | 461805 | Supporto scatola L=1313 | Halterung | Support boite de vitesse |
| 305 | | 461806 | Supporto scatola L=1438 | Halterung | Support boite de vitesse |
| 56 | 421600 | Scatola cambio | Housing | Gehäuse | Bôte |
| 57 | 022086 | Rondella | Washer | Unterlegscheibe | Rondelle |
| 58 | 099140 | Cuffia | Guard | Schütz | Protection |
| 59 | 422647 | Ingranaggio Z18 | Gear | Zanhrad | Engrenage |
| 60 | 161500 | Supporto porta cuffia | Supporti | Halterung | Support |

110410030903



TRASMISSIONE • TRANSMISSION
 UBERTRAGUNG • TRANSMISSION

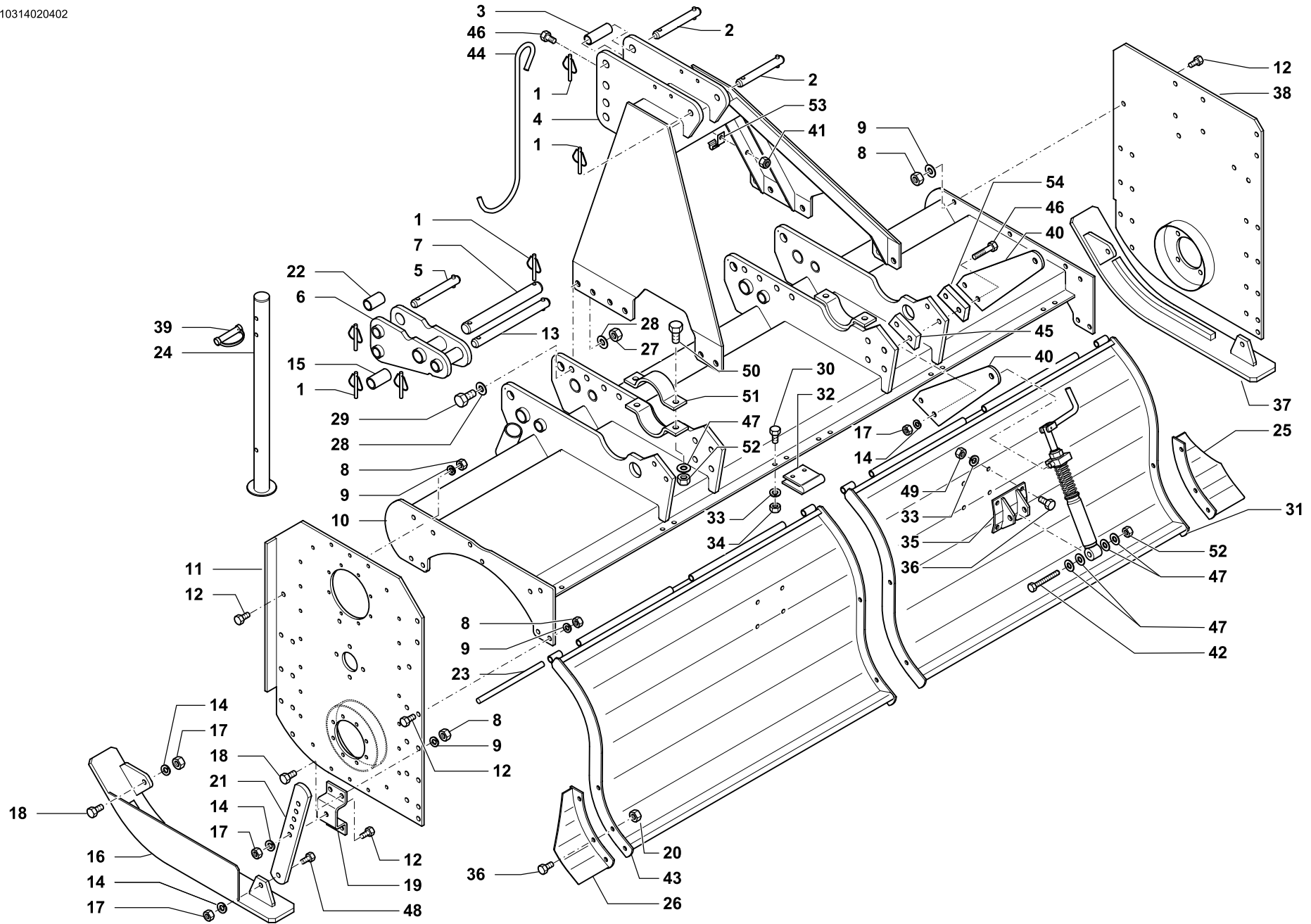
| | | | |
|----------------------|---------------|------|----------------|
| Tav. Tab. Taf. | 110410 | Rev. | 03 0903 |
|----------------------|---------------|------|----------------|



| RIF. | N. CODICE | DENOMINAZIONE | DENOMINATION | BEZEICHNUNG | DENOMINATION | |
|------------|-----------|---------------|--------------------------|-----------------|-----------------|------------------|
| | 1 | 014213 | Vite | Screw | Schraube | Vis |
| 230 | 2 | 461903 | Rotore a coltelli | Knife type drum | Messerwelle | Rotor a couteaux |
| 255 | | 461904 | Rotore a coltelli | Knife type drum | Messerwelle | Rotor a couteaux |
| 280 | | 461905 | Rotore a coltelli | Knife type drum | Messerwelle | Rotor a couteaux |
| 305 | | 461906 | Rotore a coltelli | Knife type drum | Messerwelle | Rotor a couteaux |
| | 3 | 014222 | Vite | Screw | Schraube | Vis |
| | 4 | 422630 | Coltello destro | R.H.S. Knife | Messer rechts | Couteau droite |
| | 5 | 004072 | Dado | Nut | Mutter | Ecrou |
| | 6 | 003006S | Cuscinetto | Bearing | Kugellager | Roulement |
| | 7 | 005011 | Ghiera | Ring nut | Nutmutter | Collier |
| | 8 | 724507 | Guarnizione | Gasket | Dichtring | Joint |
| | 9 | 722526 | Coperchio | Cover | Deckel | Couvercle |
| | 10 | 014082 | Vite | Screw | Schraube | Vis |
| | 11 | 422631 | Coltello sinistro | L.H.S. Knife | Messer links | Couteau gauche |
| | 12 | 014261 | Vite | Screw | Schraube | Vis |
| | 13 | 004058 | Dado | Nut | Mutter | Ecrou |
| | 14 | 011002 | Grower | Grower | Federscheibe | Grower |
| | 15 | 722534 | Zappa sinistra squadro | Blade | Messer | Lame |
| | 16 | 022055 | Tappo con sfiato 3/4 gas | Plug | Verschluss | Bouchon |
| | 17 | 004087 | Dado autobloccante | Nut | Mutter | Ecrou |
| | 18 | 461435 | Coperchio carter | Cover | Deckel | Couvercle |
| | 19 | 014149 | Vite | Screw | Schraube | Vis |
| | 20 | 022009 | Tappo 1/4 gas | Plug | Verschluss | Bouchon |
| | 21 | 013027 | Spina elastica | Pin | Stift | Goupille |
| | 22 | 723523 | Dado a corona | Nut | Mutter | Ecrou |
| | 23 | 014144 | Vite | Screw | Schraube | Vis |
| | 24 | 003115S | Cuscinetto | Bearing | Kugellager | Roulement |
| | 25 | 722514 | Ingranaggio Z 38 | Gear | Zanhrad | Engrenage |
| | 26 | 003133S | Cuscinetto | Bearing | Kugellager | Roulement |
| | 27 | 001034 | Anello di arresto | Stop ring | Sperring | Bague d'arret |
| | 28 | 422649 | Ingranaggio Z 28 | Gear | Zanhrad | Engrenage |
| | 29 | 411511 | Rosetta di sicurezza | Washer | Unterlegscheibe | Rondelle |
| 230 | 30 | 461823 | Rotore R | Rotor R | Rotor R | Rotor R |
| 255 | | 461824 | Rotore R | Rotor R | Rotor R | Rotor R |



| RIF. | N. CODICE | DENOMINAZIONE | DENOMINATION | BEZEICHNUNG | DENOMINATION |
|------------|-----------|---------------------------|------------------------|------------------------|-------------------------|
| 280 | 461825 | Rotore R | Rotor R | Rotor R | Rotor R |
| 305 | 30 461826 | Rotore R | Rotor R | Rotor R | Rotor R |
| 31 | 422621 | Fusello destro | Drive hub | Nabe | Fusee |
| 32 | 423094 | Perno | Pivot | Bolzen | Axe |
| 33 | 094002 | Sigillante | Glue | Klebstoff | Colle |
| 34 | 611713 | Spessore | Spacer | Beilagsscheiben | Epaisseur |
| 35 | 723518 | Distanziale | Spacer | Distanzstueck | Entretoise |
| 36 | 411863 | Distanziale | Spacer | Distanzstueck | Entretoise |
| 37 | 014004 | Vite | Screw | Schraube | Vis |
| 38 | 411600 | Parapolvere | Dust cover | Staubdeckel | Cache anti poussière |
| 39 | 422620 | Mozzo | Hub | Nabe | Disque |
| 40 | 871504 | Tenuta | Oil seal | Simmerring | Joint d' huile |
| 41 | 422625 | Supporto sinistro | L.H. support | L.H. halterung | Support gauche |
| 42 | 411601 | Parapolvere | Dust cover | Staubdeckel | Cache anti poussière |
| 43 | 007153 | Guarnizione | Gasket | Dichtring | Joint |
| 44 | 007226 | Guarnizione | Gasket | Dichtring | Joint |
| 230 | 45 461833 | Rotore CR | Rotor CR | Rotor CR | Rotor CR |
| 255 | 461834 | Rotore CR | Rotor CR | Rotor CR | Rotor CR |
| 280 | 461835 | Rotore CR | Rotor CR | Rotor CR | Rotor CR |
| 305 | 461836 | Rotore CR | Rotor CR | Rotor CR | Rotor CR |
| 46 | 722537 | Zappa destra elicoidale | Right helicoidal blade | Gekrümmtes Messer R.H. | Lame helicöidale droit |
| 47 | 011004 | Grower | Grower | Federscheibe | Grower |
| 48 | 004004 | Dado | Nut | Mutter | Ecrou |
| 49 | 011005 | Grower | Grower | Federscheibe | Grower |
| 50 | 014200 | Vite | Screw | Schraube | Vis |
| 51 | 722538 | Zappa sinistra elicoidale | Left helicoidal blade | Gekrümmtes Messer L.H. | Lame helicöidale gauche |
| 52 | 722533 | Zappa destra squadro | Blade | Messer | Lame |
| 53 | 007054 | Paraolio | Oil seal | Simmerring | Joint d' huile |
| 54 | 411602 | Parapolvere | Dust cover | Staubdeckel | Cache anti poussière |
| 55 | 422626 | Supporto destro | R.H. support | R.H. halterung | Support droit |
| 56 | 723519 | Distanziale | Spacer | Distanzstueck | Entretoise |
| 57 | 712608 | Controflangia | Flange | Flansch | Flasque |
| 58 | 011003 | Grower | Grower | Federscheibe | Grower |
| 59 | 002018 | Copiglia | Split pin | Hohlstift | Goupille |



GRUPPO TELAIO (VERSIONE CON PATTINI) • FRAME GROUP (VERSION WITH SKIDS)
 RAHMENSGRUPPE (VERSION KUFEN) • GROUPE CHASSIS (VERSION PATINS)

| | | | |
|----------------------|---------------|------|----------------|
| Tav. Tab. Taf. | 110314 | Rev. | 02 0402 |
|----------------------|---------------|------|----------------|



GRUPPO TELAIO (VERSIONE CON PATTINI) • FRAME GROUP (VERSION WITH SKIDS)
RAHMENSGRUPPE (VERSION KUFEN) • GROUPE CHASSIS (VERSION PATINS)

Tav.
Tab.
Taf. **110314**

Rev. **02 0402**

| RIF. | N. CODICE | DENOMINAZIONE | DENOMINATION | BEZEICHNUNG | DENOMINATION |
|------------|-----------|---------------------------|--------------------------|-------------------------------|--------------------|
| 1 | 013011 | Spina | Pin | Stift | Goupille |
| | 013039 | Spina | Pin | Stift | Goupille |
| 2 | 423781 | Perno | Pivot | Bolzen | Axe |
| 3 | 423779 | Boccola | Bush | Buchse | Bague |
| 4 | 462093 | Castello | Castel | Schloss | Chateau |
| 5 | 423780 | Perno | Pivot | Bolzen | Axe |
| 6 | 462097 | Attacco oscillante | Hitch | Anhängung | Fixation |
| 7 | 423283 | Perno | Pivot | Bolzen | Axe |
| 8 | 004004 | Dado | Nut | Mutter | Ecrou |
| 9 | 011004 | Grower | Grower | Federscheibe | Grower |
| 230 | 10 462193 | Telaio | Frame | Rahmen | Chassis |
| 255 | 462194 | Telaio | Frame | Rahmen | Chassis |
| 280 | 462195 | Telaio | Frame | Rahmen | Chassis |
| 305 | 462196 | Telaio | Frame | Rahmen | Chassis |
| 11 | 461409 | Laterale sinistro | L.H. side shield | L.H. seitlicher schild | Joue gauche |
| 12 | 014004 | Vite | Screw | Schraube | Vis |
| 13 | 423092 | Perno | Pivot | Bolzen | Axe |
| 14 | 010002 | Rondella | Washer | Unterlegscheibe | Rondelle |
| 15 | 423091 | Boccola | Bush | Buchse | Bague |
| 16 | 462098 | Pattino sinistro | L.H. skid | Kufe | Patin gauche |
| 17 | 004054 | Dado | Nut | Mutter | Ecrou |
| 18 | 014011 | Vite | Screw | Schraube | Vis |
| 19 | 423361 | Supporto | Support | Halterung | Support |
| 20 | 004087 | Dado | Nut | Mutter | Ecrou |
| 21 | 423363 | Asta regolazione | Rod | Stange | Tige |
| 22 | 423759 | Boccola | Bushing | Buchse | Douille |
| 230 | 23 423733 | Perno cerniera ventola | Pivot | Bolzen | Axe |
| 255 | 423734 | Perno cerniera ventola | Pivot | Bolzen | Axe |
| 280 | 423735 | Perno cerniera ventola | Pivot | Bolzen | Axe |
| 305 | 423736 | Perno cerniera ventola | Pivot | Bolzen | Axe |
| 24 | 961598 | Piede di appoggio | Bearing foot | Unterstützung fuß | Bequille |
| 25 | 466490 | Prolunga ventola destra | Right impeller extension | Rechts flügenre ver längerung | Allonge tablier DX |
| 26 | 466491 | Prolunga ventola sinistra | Left impeller extension | Links flügenre ver längerung | Allonge tablier SX |
| 27 | 004077 | Dado | Nut | Mutter | Ecrou |
| 28 | 010007 | Rondella | Washer | Unterlegscheibe | Rondelle |



GRUPPO TELAIO (VERSIONE CON PATTINI) • FRAME GROUP (VERSION WITH SKIDS)
RAHMENSGRUPPE (VERSION KUFEN) • GROUPE CHASSIS (VERSION PATINS)

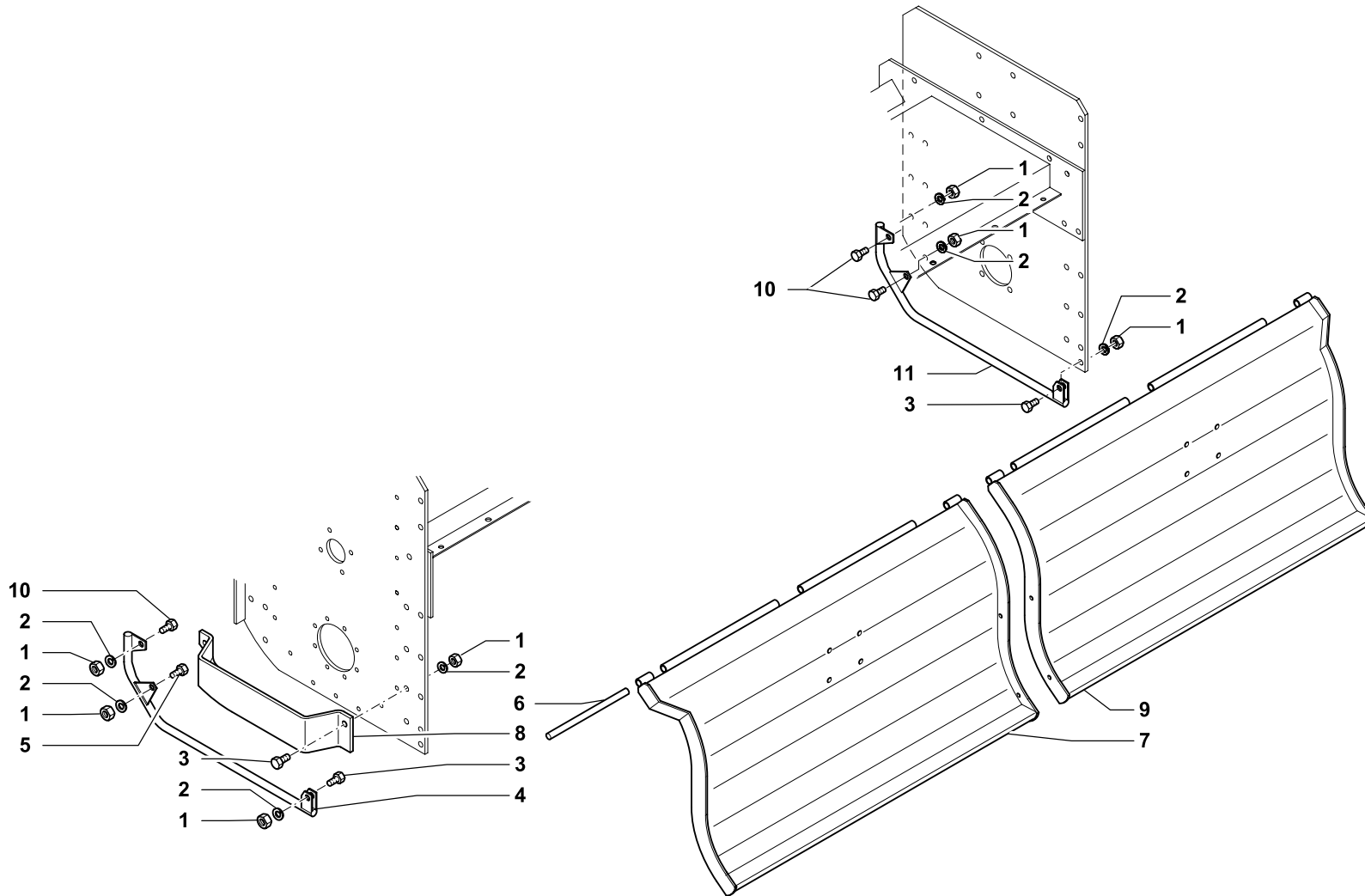
Tav.
Tab.
Taf.

110314

Rev.

02 0402

| RIF. | N. CODICE | DENOMINAZIONE | DENOMINATION | BEZEICHNUNG | DENOMINATION | |
|------------|-----------|-----------------|------------------|-------------------------|----------------|-----------------|
| 29 | 014355 | Vite | Screw | Schraube | Vis | |
| 30 | 014145 | Vite | Screw | Schraube | Vis | |
| 230 | 31 | 466454 | Scudo mobile DX | Rear shield | Bodenklappe | Tablier arriere |
| 255 | | 466455 | Scudo mobile DX | Rear shield | Bodenklappe | Tablier arriere |
| 280 | | 466456 | Scudo mobile DX | Rear shield | Bodenklappe | Tablier arriere |
| 305 | | 466457 | Scudo mobile DX | Rear shield | Bodenklappe | Tablier arriere |
| 32 | 411604 | Cerniera | Hinge | Scharnier | Charniere | |
| 33 | 011003 | Grower | Grower | Federscheibe | Grower | |
| 34 | 004030 | Dado | Nut | Mutter | Ecrou | |
| 35 | 461473 | Attacco | Hitch | Anschluss | Attelage | |
| 36 | 014382 | Vite | Screw | Schraube | Vis | |
| 37 | 462099 | Pattino destro | R.H skid | Rechte kufe | Patin droite | |
| 38 | 461408 | Laterale destro | R.H. panel | Seitenblech | Lateral droite | |
| 39 | 013048 | Spina | Pin | Stift | Goupille | |
| 40 | 411538 | Attacco | Hitch | Anschluss | Attelage | |
| 41 | 004055 | Dado | Nut | Mutter | Ecrou | |
| 42 | 014087 | Vite | Screw | Schraube | Vis | |
| 230 | 43 | 466464 | Scudo mobile SX | Rear shield | Bodenklappe | Tablier arriere |
| 255 | | 466465 | Scudo mobile SX | Rear shield | Bodenklappe | Tablier arriere |
| 280 | | 466466 | Scudo mobile SX | Rear shield | Bodenklappe | Tablier arriere |
| 305 | | 466467 | Scudo mobile SX | Rear shield | Bodenklappe | Tablier arriere |
| 44 | 523654 | Gancio cardano | Drive shaft hook | Gelenkwelle aufhaengung | Crochet | |
| 45 | 412899 | Distanziale | Spacer | Distanzstueck | Entretoise | |
| 46 | 014084 | Vite | Screw | Schraube | Vis | |
| 47 | 010006 | Rondella | Washer | Unterlegscheibe | Rondelle | |
| 48 | 014059 | Vite | Screw | Schraube | Vis | |
| 49 | 004087 | Dado | Nut | Mutter | Ecrou | |
| 50 | 014085 | Vite | Screw | Schraube | Vis | |
| 51 | 411852 | Supporto | Support | Halterung | Support | |
| 52 | 004072 | Dado | Nut | Mutter | Ecrou | |
| 53 | 611728 | Staffa gancio | Flask | Pratze | Bride | |
| 54 | 412928 | Distanziale | Spacer | Distanzstueck | Entretoise | |



GRUPPO TELAIO (VERSIONE CON RUOTE) • FRAME GROUP (VERSION WITH WHEELS)
 RAHMENSGRUPPE (VERSION RÄDERN) • GROUPE CHASSIS (VERSION ROUES)

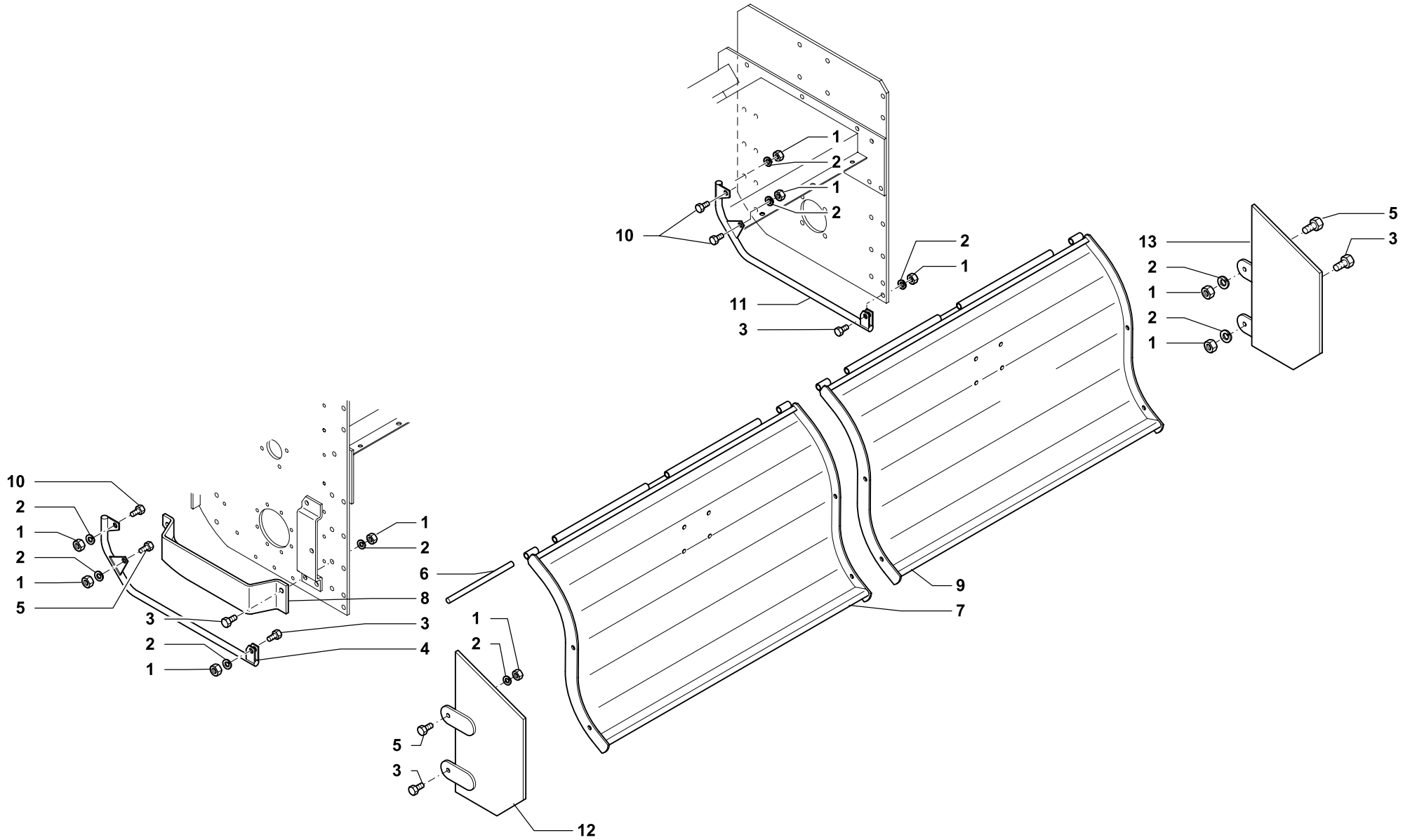
| | | | |
|------|---------------|------|----------------|
| Tav. | 110315 | Rev. | 01 0500 |
| Tab. | | | |
| Taf. | | | |



GRUPPO TELAIO (VERSIONE CON RUOTE) • FRAME GROUP (VERSION WITH WHEELS)
RAHMENSGRUPPE (VERSION RÄDERN) • GROUPE CHASSIS (VERSION ROUES)

Tav. 110315 Rev. 01 0500
Tab. Taf.

| RIF. | N. CODICE | DENOMINAZIONE | DENOMINATION | BEZEICHNUNG | DENOMINATION |
|------------|-----------|------------------------------|-----------------------|---------------------|------------------------|
| 1 | 004004 | Dado | Nut | Mutter | Ecrou |
| 2 | 011004 | Grower | Grower | Federscheibe | Grower |
| 3 | 014004 | Vite | Screw | Schraube | Vis |
| 4 | 461463 | Protezione laterale sinistra | Left side protection | Linkseitigerschütz | Protection laterale SX |
| 5 | 014019 | Vite | Screw | Schraube | Vis |
| 230 | 423733 | Perno cerniera ventola | Pivot | Bolzen | Axe |
| 255 | 423734 | Perno cerniera ventola | Pivot | Bolzen | Axe |
| 280 | 423735 | Perno cerniera ventola | Pivot | Bolzen | Axe |
| 305 | 423736 | Perno cerniera ventola | Pivot | Bolzen | Axe |
| 230 | 466469 | Scudo mobile sinistro | L.H. rear shield | Links bodenklappe | Tablier arriere gauche |
| 255 | 466470 | Scudo mobile sinistro | L.H. rear shield | Links bodenklappe | Tablier arriere gauche |
| 280 | 466471 | Scudo mobile sinistro | L.H. rear shield | Links bodenklappe | Tablier arriere gauche |
| 305 | 466472 | Scudo mobile sinistro | L.H. rear shield | Links bodenklappe | Tablier arriere gauche |
| 8 | 461456 | Protezione carter | Case protection | Gehäuse schütz | Protection carter |
| 230 | 466459 | Scudo mobile destro | R.H. rear shield | Rechte bodenklappe | Tablier arriere droite |
| 255 | 466460 | Scudo mobile destro | R.H. rear shield | Rechte bodenklappe | Tablier arriere droite |
| 280 | 466461 | Scudo mobile destro | R.H. rear shield | Rechte bodenklappe | Tablier arriere droite |
| 305 | 466462 | Scudo mobile destro | R.H. rear shield | Rechte bodenklappe | Tablier arriere droite |
| 10 | 014011 | Vite | Screw | Schraube | Vis |
| 11 | 461462 | Protezione laterale destra | Right side protection | Rechtseitigerschütz | Protection laterale DX |



**GRUPPO TELAIO (VERSIONE CON RULLO) • FRAME GROUP (VERSION WITH ROLLER)
 RAHMENSGRUPPE (VERSION WALZE) • GROUPE CHASSIS (VERSION ROULEAU)**

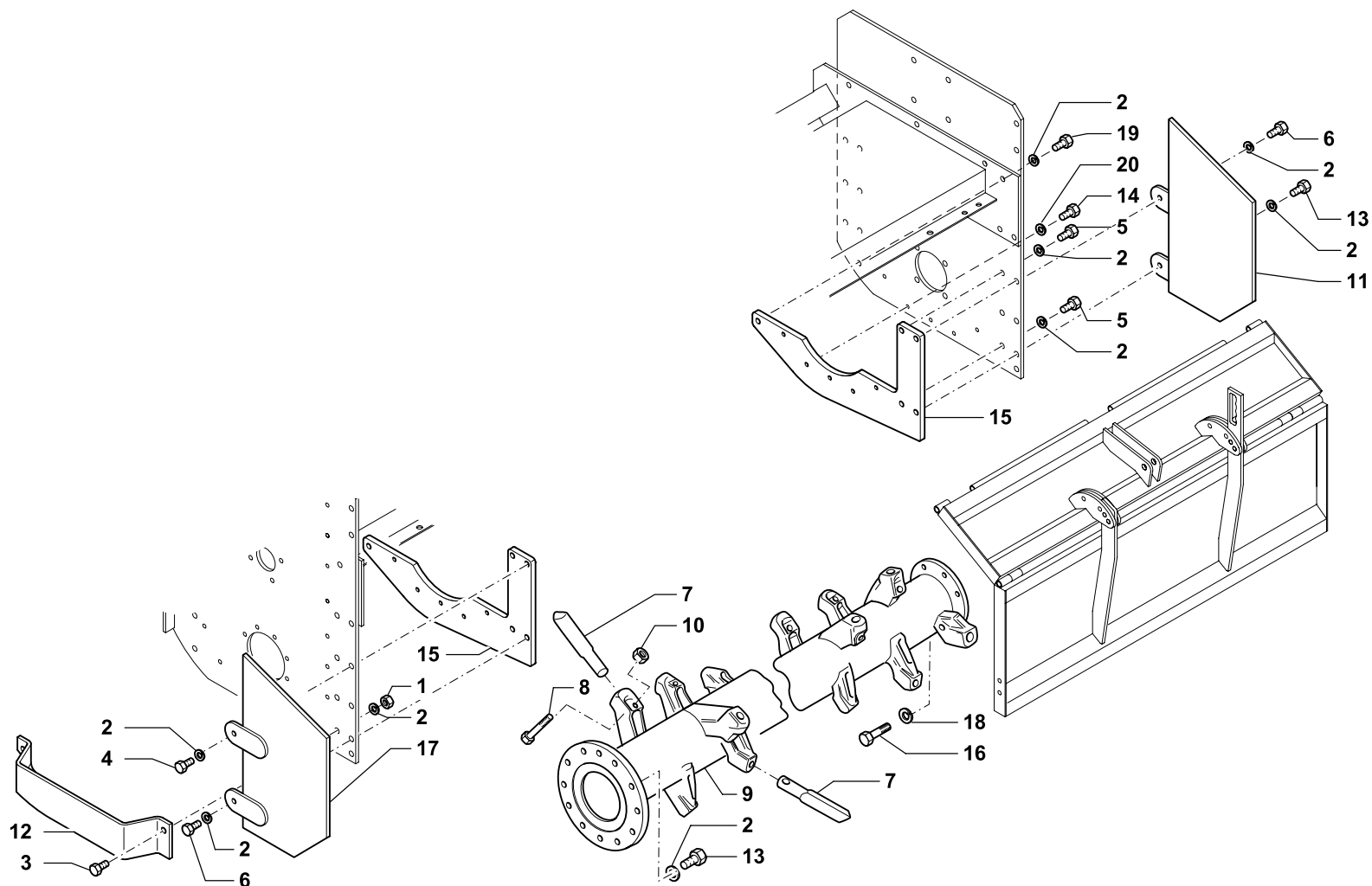
| | | | |
|----------------------|---------------|------|----------------|
| Tav. Tab. Taf. | 110316 | Rev. | 01 0500 |
|----------------------|---------------|------|----------------|



GRUPPO TELAIO (VERSIONE CON RULLO) • FRAME GROUP (VERSION WITH ROLLER)
RAHMENSGRUPPE (VERSION WALZE) • GROUPE CHASSIS (VERSION ROULEAU)

Tav. 110316 Rev. 01 0500
Tab. Taf.

| RIF. | N. CODICE | DENOMINAZIONE | DENOMINATION | BEZEICHNUNG | DENOMINATION |
|------------|-----------|------------------------------|-----------------------|-------------------------|------------------------|
| 1 | 004004 | Dado | Nut | Mutter | Ecrou |
| 2 | 011004 | Grower | Grower | Federscheibe | Grower |
| 3 | 014004 | Vite | Screw | Schraube | Vis |
| 4 | 461463 | Protezione laterale sinistra | Left side protection | Linkseitigerschütz | Protection laterale SX |
| 5 | 014019 | Vite | Screw | Schraube | Vis |
| 230 | 423733 | Perno cerniera ventola | Pivot | Bolzen | Axe |
| 255 | 423734 | Perno cerniera ventola | Pivot | Bolzen | Axe |
| 280 | 423735 | Perno cerniera ventola | Pivot | Bolzen | Axe |
| 305 | 423736 | Perno cerniera ventola | Pivot | Bolzen | Axe |
| 230 | 466464 | Scudo mobile sinistro | L.H. rear shield | Links bodenklappe | Tablier arriere gauche |
| 255 | 466465 | Scudo mobile sinistro | L.H. rear shield | Links bodenklappe | Tablier arriere gauche |
| 280 | 466466 | Scudo mobile sinistro | L.H. rear shield | Links bodenklappe | Tablier arriere gauche |
| 305 | 466467 | Scudo mobile sinistro | L.H. rear shield | Links bodenklappe | Tablier arriere gauche |
| 8 | 461456 | Protezione carter | Case protection | Gehäuse schütz | Protection carter |
| 230 | 466454 | Scudo mobile destro | R.H. rear shield | Rechte bodenklappe | Tablier arriere droite |
| 255 | 466455 | Scudo mobile destro | R.H. rear shield | Rechte bodenklappe | Tablier arriere droite |
| 280 | 466456 | Scudo mobile destro | R.H. rear shield | Rechte bodenklappe | Tablier arriere droite |
| 305 | 466457 | Scudo mobile destro | R.H. rear shield | Rechte bodenklappe | Tablier arriere droite |
| 10 | 014011 | Vite | Screw | Schraube | Vis |
| 11 | 461462 | Protezione laterale destra | Right side protection | Rechtseitigerschütz | Protection laterale DX |
| 12 | 461027 | Laterale parazolle sinistro | L.H. side clod bumper | Links Erdklumpenschutz | Pare-mottes gauche |
| 13 | 461026 | Laterale parazolle destro | R.H. side clod bumper | Erdklumpenschutz Rechts | Pare-mottes droite |



GRUPPO TELAIO (VERSIONE FRANGOR) • FRAME GROUP (VERSION FRANGOR)
 RAHMENSGRUPPE (VERSION FRANGOR) • GROUPE CHASSIS (VERSION FRANGOR)

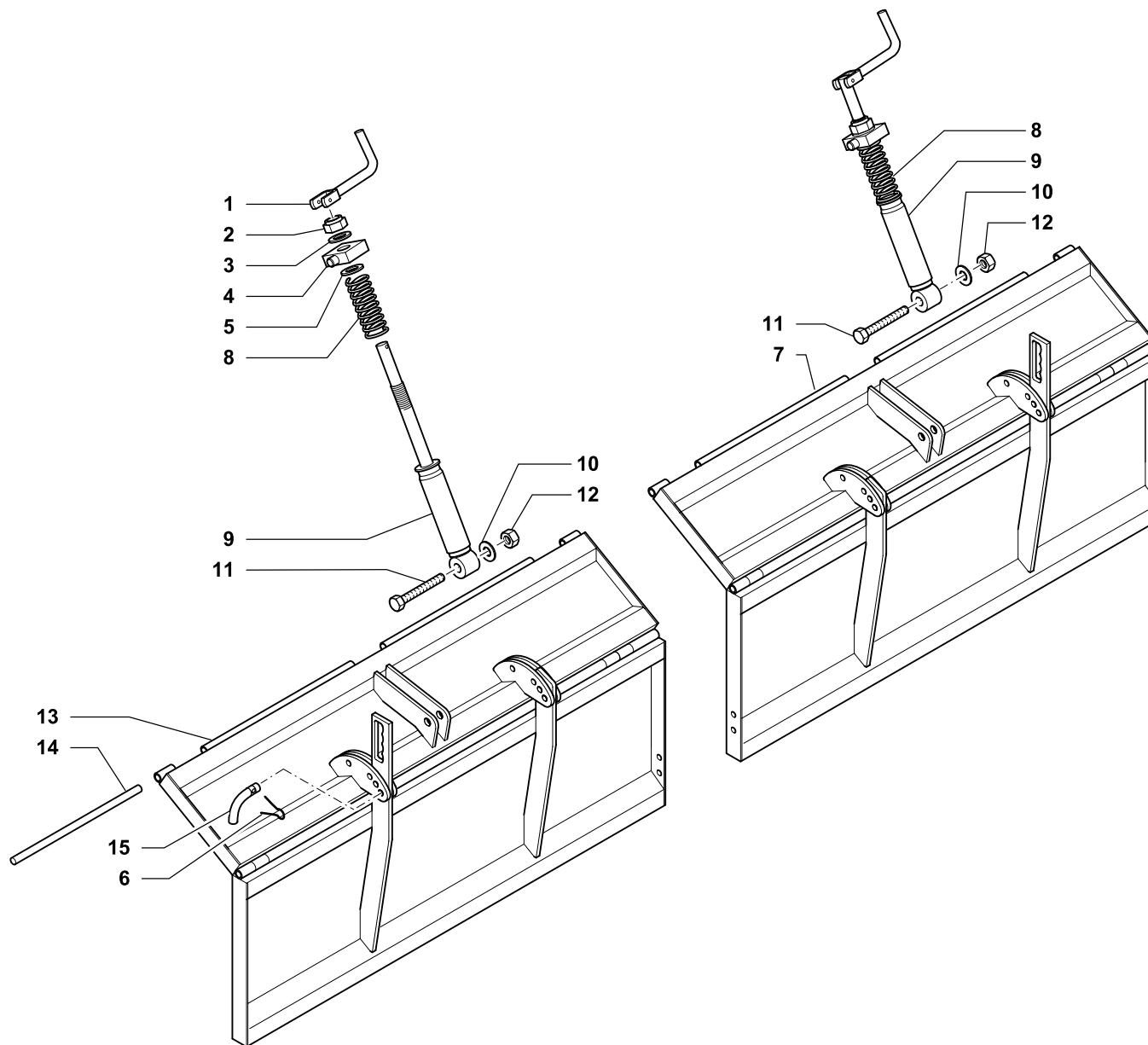
| | | | |
|----------------------|---------------|------|----------------|
| Tav. Tab. Taf. | 110317 | Rev. | 01 0500 |
|----------------------|---------------|------|----------------|



GRUPPO TELAIO (VERSIONE FRANGOR) • FRAME GROUP (VERSION FRANGOR)
RAHMENSGRUPPE (VERSION FRANGOR) • GROUPE CHASSIS (VERSION FRANGOR)

Tav. 110317 Rev. 01 0500
Tab. Taf.

| RIF. | N. CODICE | DENOMINAZIONE | DENOMINATION | BEZEICHNUNG | DENOMINATION |
|------------|-----------|-----------------------------|-----------------------|-------------------------|--------------------|
| 1 | 004004 | Dado | Nut | Mutter | Ecrou |
| 2 | 011004 | Grower | Grower | Federscheibe | Grower |
| 3 | 014004 | Vite | Screw | Schraube | Vis |
| 4 | 014019 | Vite | Screw | Schraube | Vis |
| 5 | 014246 | Vite | Screw | Schraube | Vis |
| 6 | 014212 | Vite | Screw | Schraube | Vis |
| 7 | 422539 | Dente | Tine | Zahn | Dent |
| 8 | 014311 | Vite | Screw | Schraube | Vis |
| 230 | 9 461053 | Rotore denti | Tine Rotor | Zinken rotor | Rotor a dents |
| 255 | 461054 | Rotore denti | Tine Rotor | Zinken rotor | Rotor a dents |
| 280 | 461055 | Rotore denti | Tine Rotor | Zinken rotor | Rotor a dents |
| 305 | 461056 | Rotore denti | Tine Rotor | Zinken rotor | Rotor a dents |
| 10 | 004084 | Dado | Nut | Mutter | Ecrou |
| 11 | 461026 | Laterale parazolle destro | R.H. side clod bumper | Erdklumpenschutz Rechts | Pare-mottes droite |
| 12 | 461456 | Protezione carter | Protection | Schuetz | Protection |
| 13 | 014011 | Vite | Screw | Schraube | Vis |
| 14 | 014150 | Vite | Screw | Schraube | Vis |
| 15 | 411860 | Piastra | Plate | Plate | Platte |
| 16 | 014087 | Vite | Screw | Schraube | Vis |
| 17 | 461027 | Laterale parazolle sinistro | L.H. side clod bumper | Links Erdklumpenschutz | Pare-mottes gauche |
| 18 | 011005 | Grower | Grower | Federscheibe | Grower |
| 19 | 014375 | Vite | Screw | Schraube | Vis |
| 20 | 011002 | Grower | Grower | Federscheibe | Grower |



SCUDO MOBILE • REAR SHIELD
BODENKLAPPE • TABLIER ARRIERE

| | | | |
|------|--------|------|---------|
| Tav. | 110318 | Rev. | 02 0202 |
| Tab. | | | |
| Taf. | | | |



SCUDO MOBILE • REAR SHIELD
BODENKLAPPE • TABLIER ARRIERE

Tav.
Tab.
Taf.

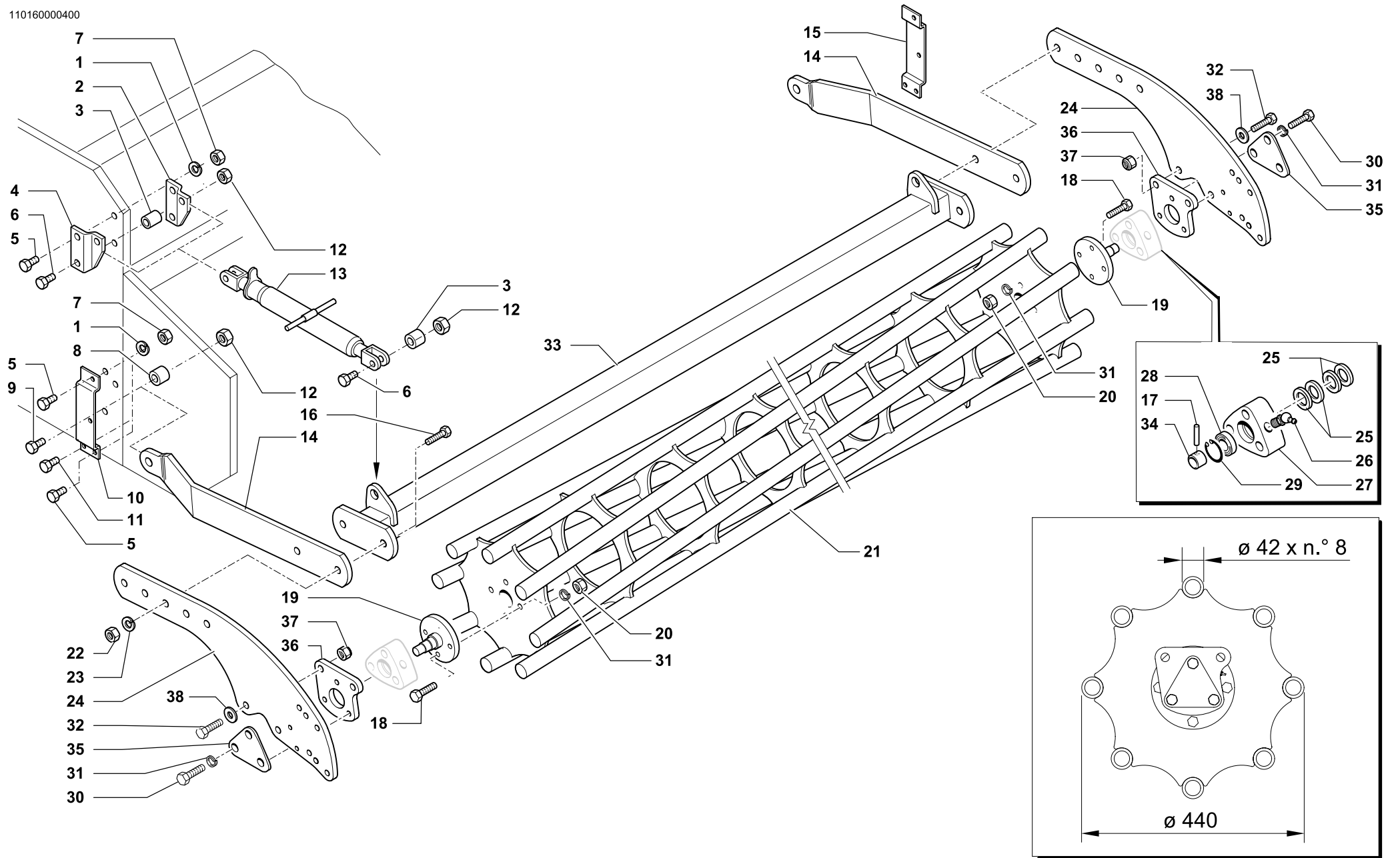
110318

Rev.

02 0202

| RIF. | N. CODICE | DENOMINAZIONE | DENOMINATION | BEZEICHNUNG | DENOMINATION | |
|------------|-----------|---------------------|------------------------|------------------|--------------------|------------------------|
| 1 | 461417 | Manovella | Handle wrench | Kurbel | Manivelle | |
| 2 | 004073 | Dado | Nut | Mutter | Ecrou | |
| 3 | 010009 | Rondella | Washer | Unterlegscheibe | Rondelle | |
| 4 | 923587 | Supporto basculante | Support | Halterung | Support | |
| 5 | 010012 | Rondella | Washer | Unterlegscheibe | Rondelle | |
| 6 | 002014 | Copiglia | Split pin | Hohlstift | Goupille | |
| 230 | 7 | 466403 | Scudo mobile destro | R.H. rear shield | Rechts bodenklappe | Tablier arriere droite |
| 255 | | 466404 | Scudo mobile destro | R.H. rear shield | Rechts bodenklappe | Tablier arriere droite |
| 280 | | 466405 | Scudo mobile destro | R.H. rear shield | Rechts bodenklappe | Tablier arriere droite |
| 305 | | 466406 | Scudo mobile destro | R.H. rear shield | Rechts bodenklappe | Tablier arriere droite |
| 8 | 923505 | Molla | Spring | Feder | Ressort | |
| 9 | 471442 | Vite di regolazione | Screw | Schraube | Vis | |
| 10 | 010006 | Rondella | Washer | Unterlegscheibe | Rondelle | |
| 11 | 014199 | Vite | Screw | Schraube | Vis | |
| 12 | 004072 | Dado | Nut | Mutter | Ecrou | |
| 230 | 13 | 466413 | Scudo mobile sinistro | L.H. rear shield | Links bodenklappe | Tablier arriere gauche |
| 255 | | 466414 | Scudo mobile sinistro | L.H. rear shield | Links bodenklappe | Tablier arriere gauche |
| 280 | | 466415 | Scudo mobile sinistro | L.H. rear shield | Links bodenklappe | Tablier arriere gauche |
| 305 | | 466416 | Scudo mobile sinistro | L.H. rear shield | Links bodenklappe | Tablier arriere gauche |
| 230 | 14 | 423733 | Perno cerniera ventola | Pivot | Bolzen | Axe |
| 255 | | 423734 | Perno cerniera ventola | Pivot | Bolzen | Axe |
| 280 | | 423735 | Perno cerniera ventola | Pivot | Bolzen | Axe |
| 305 | | 423736 | Perno cerniera ventola | Pivot | Bolzen | Axe |
| 15 | 423558 | Perno | Pivot | Bolzen | Axe | |

110160000400



RULLO GABBIA Ø 440 • CAGE ROLLER Ø 440
KÄFIGWALZE Ø 440 • ROULEAU CAGE Ø 440

| | | | |
|----------------------|---------------|------|----------------|
| Tav. Tab. Taf. | 110160 | Rev. | 00 0400 |
|----------------------|---------------|------|----------------|



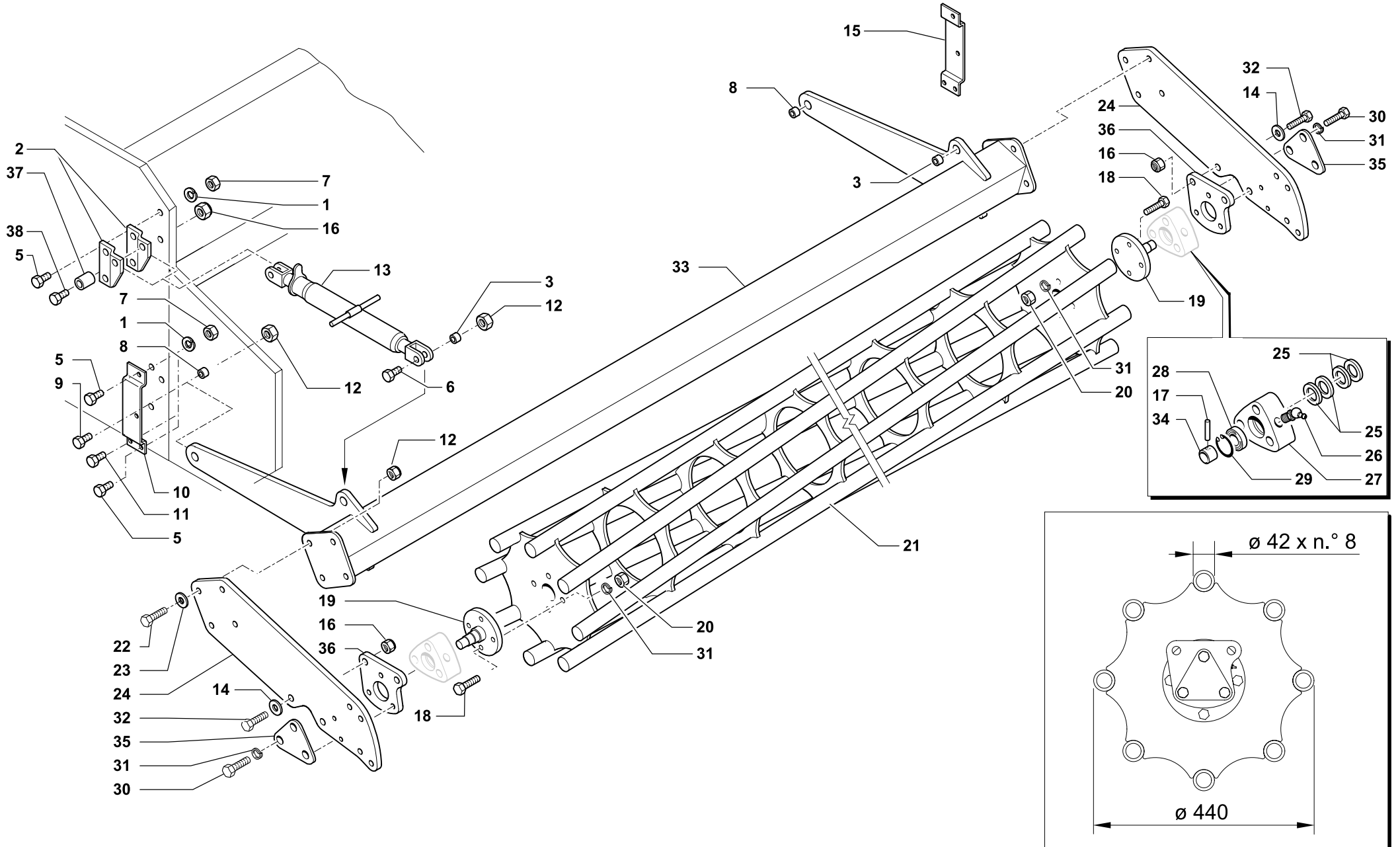
| RIF. | N. CODICE | DENOMINAZIONE | DENOMINATION | BEZEICHNUNG | DENOMINATION | |
|------------|-----------|--------------------------|------------------------------|------------------------|-------------------------|--------------|
| 1 | 011004 | Grower | Grower | Federscheibe | Grower | |
| 2 | 411528 | Piastra | Plate | Plate | Platte | |
| 3 | 423764 | Boccola | Bush | Buchse | Bague | |
| 4 | 411529 | Piastra | Plate | Plate | Platte | |
| 5 | 014019 | Vite | Screw | Schraube | Vis | |
| 6 | 014176 | Vite | Screw | Schraube | Vis | |
| 7 | 004004 | Dado | Nut | Mutter | Ecrou | |
| 8 | 423566 | Boccola | Bush | Buchse | Bague | |
| 9 | 014224 | Vite | Screw | Schraube | Vis | |
| 10 | 423791 | Taschetta rullo sinistra | L.H. Attach. arm fulcrum lug | Links Befestigungsarm | Fixation de bras gauche | |
| 11 | 014004 | Vite | Screw | Schraube | Vis | |
| 12 | 004054 | Dado | Nut | Mutter | Ecrou | |
| 13 | 971548 | Tirante | Linkage | Zugbolzen | Tirant | |
| 14 | 911606 | Semibraccio anteriore | Arm | Arm | Bras | |
| 15 | 423790 | Taschetta rullo destra | R.H. Attach. arm fulcrum lug | Rechts Befestigungsarm | Fixation de bras droit | |
| 16 | 014355 | Vite | Screw | Schraube | Vis | |
| 17 | 013019 | Spina | Pin | Stift | Goupille | |
| 18 | 014254 | Vite | Screw | Schraube | Vis | |
| 19 | 661401 | Fusello | Stub axle | Flansch | Fusee | |
| 20 | 004030 | Dado | Nut | Mutter | Ecrou | |
| 230 | 21 | 961962 | Rullo gabbia | Cage roller | Käfigwalze | Rouleau cage |
| 255 | | 961963 | Rullo gabbia | Cage roller | Käfigwalze | Rouleau cage |
| 280 | | 961964 | Rullo gabbia | Cage roller | Käfigwalze | Rouleau cage |
| 305 | | 961965 | Rullo gabbia | Cage roller | Käfigwalze | Rouleau cage |
| 22 | 004065 | Dado | Nut | Mutter | Ecrou | |
| 23 | 011017 | Grower | Grower | Federscheibe | Grower | |
| 24 | 911605 | Braccio posteriore | Arm | Arm | Bras | |
| 25 | 099018 | Gruppo parapolvere | Dust cover | Staubdeckel | Cache anti poussière | |
| 26 | 008005 | Ingrassatore | Grease nipple | Fettbuechse | Graisser | |
| 27 | 421604 | Supporto | Support | Halterung | Support | |
| 28 | 003051 | Cuscinetto | Bearing | Kugellager | Roulement | |
| 29 | 001006 | Anello di arresto | Stop ring | Sperring | Bague d'arret | |
| 30 | 014145 | Vite | Screw | Schraube | Vis | |



RULLO GABBIA Ø 440 • CAGE ROLLER Ø 440
KÄFIGWALZE Ø 440 • ROULEAU CAGE Ø 440

| | | | | |
|----------------------|---------------|------|-----------|-------------|
| Tav. Tab. Taf. | 110160 | Rev. | 00 | 0400 |
|----------------------|---------------|------|-----------|-------------|

| RIF. | N. CODICE | DENOMINAZIONE | DENOMINATION | BEZEICHNUNG | DENOMINATION | |
|------------|-----------|---------------|---------------------------------|-----------------|--------------|-------|
| 31 | 011003 | Grower | Grower | Federscheibe | Grower | |
| 32 | 014192 | Vite | Screw | Schraube | Vis | |
| 230 | 33 | 961902 | Barra collegamento bracci rullo | Bar | Stab | Barre |
| 255 | | 961903 | Barra collegamento bracci rullo | Bar | Stab | Barre |
| 280 | | 961904 | Barra collegamento bracci rullo | Bar | Stab | Barre |
| 305 | | 961905 | Barra collegamento bracci rullo | Bar | Stab | Barre |
| 34 | 661403 | Bussola | Bush | Buchse | Bague | |
| 35 | 612372 | Chiusura | Plate | Plate | Platte | |
| 36 | 661402 | Piastra | Plate | Plate | Platte | |
| 37 | 004072 | Dado | Nut | Mutter | Ecrou | |
| 38 | 010006 | Rondella | Washer | Unterlegscheibe | Rondelle | |



RULLO GABBIA Ø 440 • CAGE ROLLER Ø 440
 KÄFIGWALZE Ø 440 • ROULEAU CAGE Ø 440

| | | | |
|----------------------|---------------|------|----------------|
| Tav. Tab. Taf. | 110734 | Rev. | 00 0402 |
|----------------------|---------------|------|----------------|



| RIF. | N. CODICE | DENOMINAZIONE | DENOMINATION | BEZEICHNUNG | DENOMINATION |
|------------|-----------|--------------------------|------------------------------|------------------------|-------------------------|
| 1 | 011004 | Grower | Grower | Federscheibe | Grower |
| 2 | 411528 | Piastra | Plate | Plate | Platte |
| 3 | 423764 | Boccola | Bush | Buchse | Bague |
| 4 | 411529 | Piastra | Plate | Plate | Platte |
| 5 | 014019 | Vite | Screw | Schraube | Vis |
| 6 | 014176 | Vite | Screw | Schraube | Vis |
| 7 | 004004 | Dado | Nut | Mutter | Ecrou |
| 8 | 423849 | Boccola | Bush | Buchse | Bague |
| 9 | 014224 | Vite | Screw | Schraube | Vis |
| 10 | 423791 | Taschetta rullo sinistra | L.H. Attach. arm fulcrum lug | Links Befestigungsarm | Fixation de bras gauche |
| 11 | 014004 | Vite | Screw | Schraube | Vis |
| 12 | 004054 | Dado | Nut | Mutter | Ecrou |
| 13 | 971548 | Tirante | Linkage | Zugbolzen | Tirant |
| 14 | 010006 | Rondella | Washer | Unterlegscheibe | Rondelle |
| 15 | 423790 | Taschetta rullo destra | R.H. Attach. arm fulcrum lug | Rechts Befestigungsarm | Fixation de bras droit |
| 16 | 004072 | Dado | Nut | Mutter | Ecrou |
| 17 | 013019 | Spina | Pin | Stift | Goupille |
| 18 | 014254 | Vite | Screw | Schraube | Vis |
| 19 | 661401 | Fusello | Stub axle | Flansch | Fusee |
| 20 | 004030 | Dado | Nut | Mutter | Ecrou |
| 230 | 21 | 961962 | Rullo gabbia | Käfigwalze | Rouleau cage |
| 255 | | 961963 | Rullo gabbia | Käfigwalze | Rouleau cage |
| 280 | | 961964 | Rullo gabbia | Käfigwalze | Rouleau cage |
| 305 | | 961965 | Rullo gabbia | Käfigwalze | Rouleau cage |
| | 22 | 014082 | Vite | Schraube | Vis |
| | 23 | 010002 | Rondella | Unterlegscheibe | Rondelle |
| | 24 | 912687 | Braccio | Arm | Bras |
| | 25 | 099018 | Gruppo parapolvere | Staubdeckel | Cache anti poussière |
| | 26 | 008005 | Ingrassatore | Fettbuechse | Graisser |
| | 27 | 421604 | Supporto | Halterung | Support |
| | 28 | 003051 | Cuscinetto | Kugellager | Roulement |
| | 29 | 001006 | Anello di arresto | Sperring | Bague d'arret |
| | 30 | 014145 | Vite | Schraube | Vis |

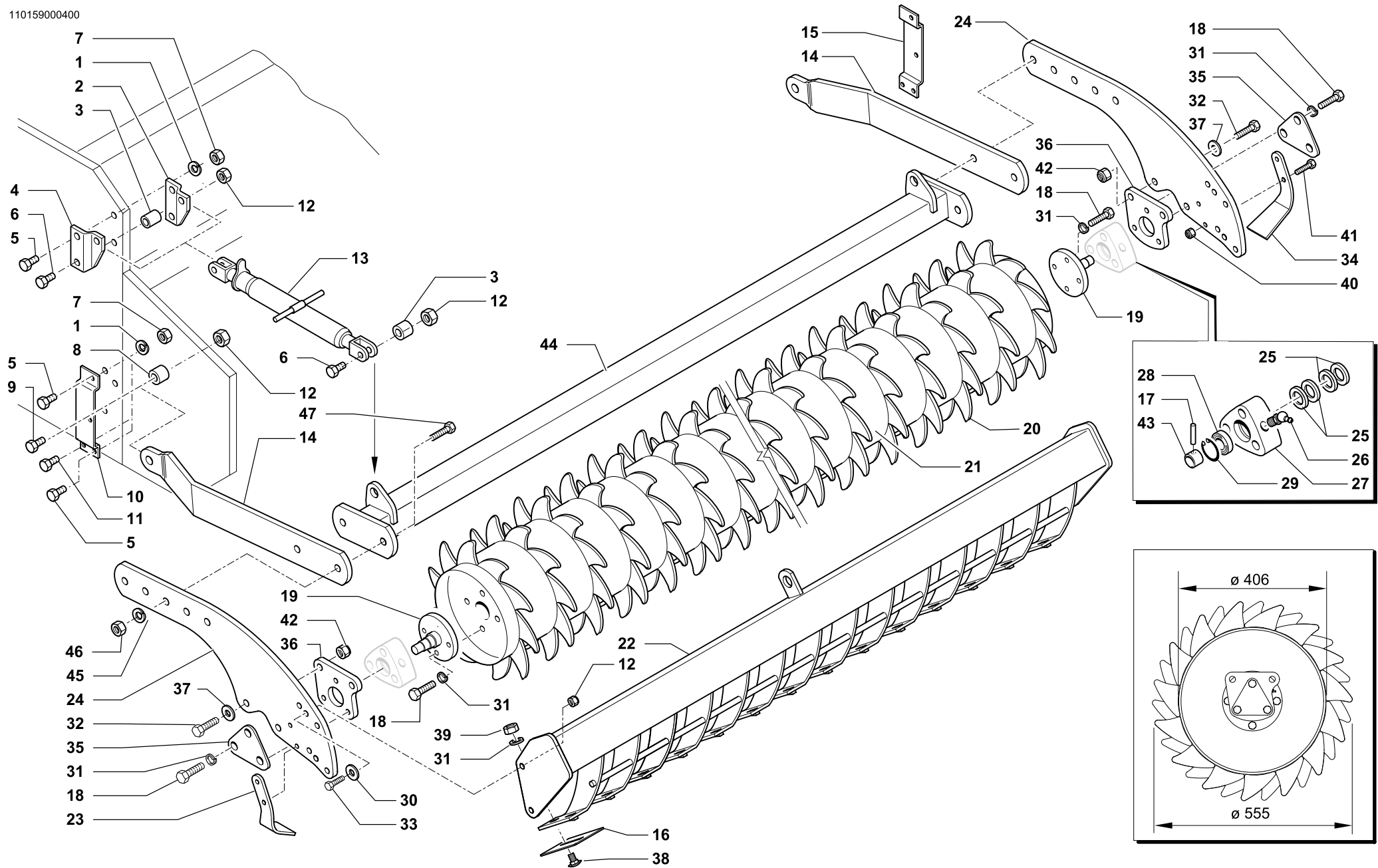


RULLO GABBIA Ø 440 • CAGE ROLLER Ø 440
KÄFIGWALZE Ø 440 • ROULEAU CAGE Ø 440

| | | | | |
|----------------------|---------------|------|-----------|-------------|
| Tav. Tab. Taf. | 110734 | Rev. | 00 | 0402 |
|----------------------|---------------|------|-----------|-------------|

| RIF. | N. CODICE | DENOMINAZIONE | DENOMINATION | BEZEICHNUNG | DENOMINATION | |
|------------|-----------|---------------|---------------------------------|--------------|--------------|-------|
| 31 | 011003 | Grower | Grower | Federscheibe | Grower | |
| 32 | 014192 | Vite | Screw | Schraube | Vis | |
| 230 | 33 | 961637 | Barra collegamento bracci rullo | Bar | Stab | Barre |
| 255 | | 961639 | Barra collegamento bracci rullo | Bar | Stab | Barre |
| 280 | | 961646 | Barra collegamento bracci rullo | Bar | Stab | Barre |
| 305 | | 961647 | Barra collegamento bracci rullo | Bar | Stab | Barre |
| 34 | 661403 | Bussola | Bush | Buchse | Bague | |
| 35 | 612372 | Chiusura | Plate | Plate | Platte | |
| 36 | 661402 | Piastra | Plate | Plate | Platte | |
| 37 | 423833 | Boccola | Bush | Buchse | Bague | |
| 38 | 014398 | Vite | Screw | Schraube | Viss | |

110159000400



RULLO PACKER Ø 406 • PACKER ROLLER Ø 406
PACKERWALZE Ø 406 • ROULEAU PACKER Ø 406

| | | | |
|----------------------|---------------|------|----------------|
| Tav. Tab. Taf. | 110159 | Rev. | 00 0400 |
|----------------------|---------------|------|----------------|



RULLO PACKER Ø 406 • PACKER ROLLER Ø 406
PACKERWALZE Ø 406 • ROULEAU PACKER Ø 406

Tav.
Tab.
Taf.

110159

Rev.

00

0400

| RIF. | N. CODICE | DENOMINAZIONE | DENOMINATION | BEZEICHNUNG | DENOMINATION |
|------------|-----------|--------------------------|------------------------------|------------------------|-------------------------|
| 1 | 011004 | Grower | Grower | Federscheibe | Grower |
| 2 | 411528 | Piastra | Plate | Plate | Platte |
| 3 | 423764 | Boccola | Bush | Buchse | Bague |
| 4 | 411529 | Piastra | Plate | Plate | Platte |
| 5 | 014019 | Vite | Screw | Schraube | Vis |
| 6 | 014176 | Vite | Screw | Schraube | Vis |
| 7 | 004004 | Dado | Nut | Mutter | Ecrou |
| 8 | 423566 | Boccola | Bush | Buchse | Bague |
| 9 | 014224 | Vite | Screw | Schraube | Vis |
| 10 | 423791 | Taschetta rullo sinistra | L.H. Attach. arm fulcrum lug | Links Befestigungsarm | Fixation de bras gauche |
| 11 | 014004 | Vite | Screw | Schraube | Vis |
| 12 | 004054 | Dado | Nut | Mutter | Ecrou |
| 13 | 971548 | Tirante | Linkage | Zugbolzen | Tirant |
| 14 | 911606 | Sembraccio anteriore | Arm | Arm | Bras |
| 15 | 423790 | Taschetta rullo destra | R.H. Attach. arm fulcrum lug | Rechts Befestigungsarm | Fixation de bras droit |
| 16 | 911601 | Raschietto | Scraper | Schaber | Racloir |
| 17 | 013019 | Spina | Pin | Stift | Goupille |
| 18 | 014145 | Vite | Screw | Schraube | Vis |
| 19 | 661401 | Fusello | Stub axle | Flansch | Fusee |
| 20 | 412782 | Dente (da saldare) | Tine (to be welded) | Zahn (zum schweissen) | Dent (à souder) |
| 230 | 21 | 961922 | Rullo packer | Packer roller | Rouleau packer |
| 255 | | 961923 | Rullo packer | Packer roller | Rouleau packer |
| 280 | | 961924 | Rullo packer | Packer roller | Rouleau packer |
| 305 | | 961925 | Rullo packer | Packer roller | Rouleau packer |
| 230 | 22 | 961912 | Barra porta raschietti | Scratcher support | Porte-racloir |
| 255 | | 961913 | Barra porta raschietti | Scratcher support | Porte-racloir |
| 280 | | 961914 | Barra porta raschietti | Scratcher support | Porte-racloir |
| 305 | | 961915 | Barra porta raschietti | Scratcher support | Porte-racloir |
| | 23 | 911629 | Raschietto laterale SX | Scraper | Racloir |
| | 24 | 911605 | Braccio | Arm | Bras |
| | 25 | 099018 | Gruppo parapolvere | Dust cover | Cache anti poussière |
| | 26 | 008005 | Ingrassatore | Grease nipple | Graisneur |
| | 27 | 421604 | Supporto | Support | Support |



RULLO PACKER Ø 406 • PACKER ROLLER Ø 406
PACKERWALZE Ø 406 • ROULEAU PACKER Ø 406

Tav.
Tab.
Taf.

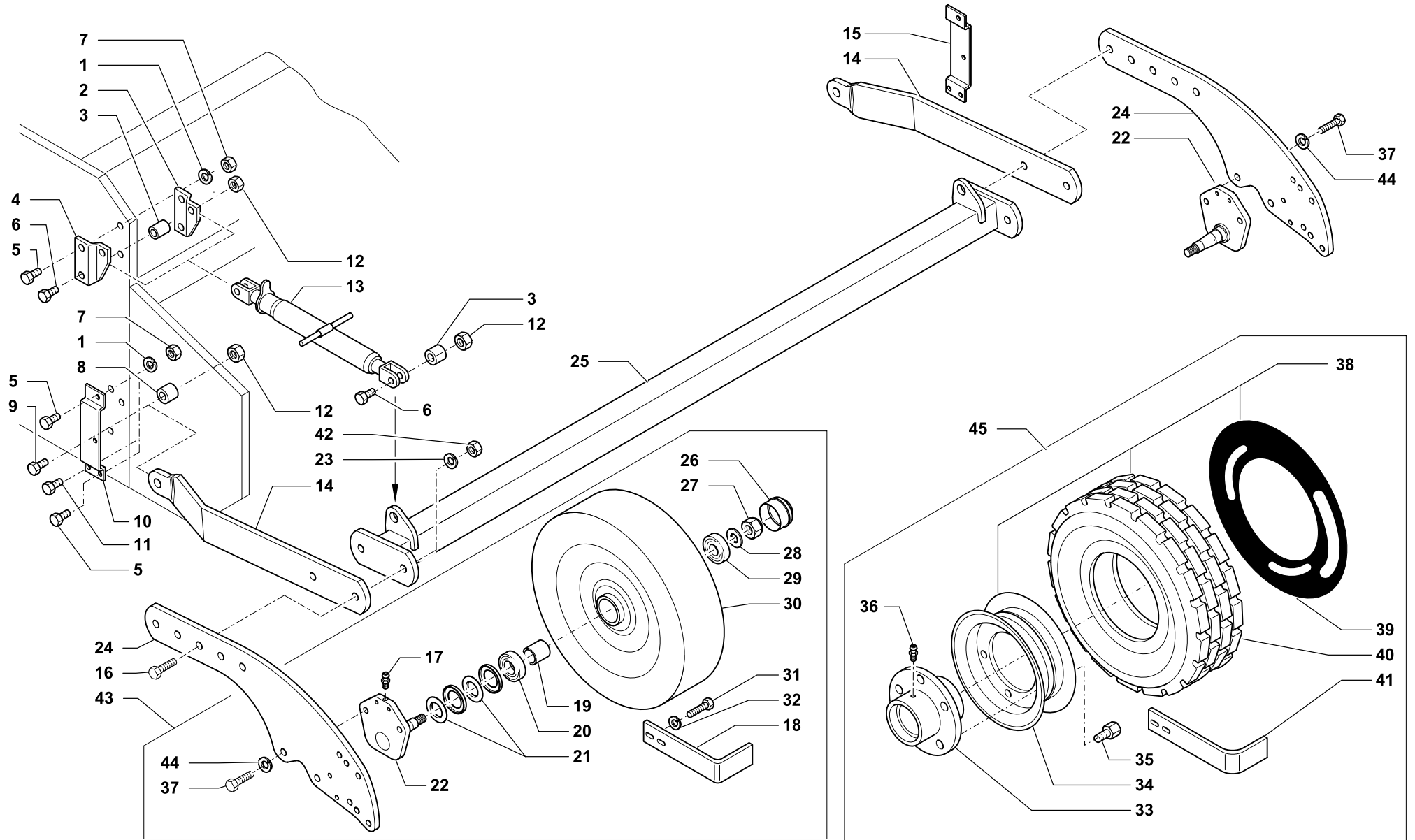
110159

Rev.

00

0400

| RIF. | N. CODICE | DENOMINAZIONE | DENOMINATION | BEZEICHNUNG | DENOMINATION | |
|------------|-----------|------------------------|---------------------------------|-----------------|---------------|-------|
| 28 | 003051 | Cuscinetto | Bearing | Kugellager | Roulement | |
| 29 | 001006 | Anello di arresto | Stop ring | Sperring | Bague d'arret | |
| 30 | 010002 | Rondella | Washer | Unterlegscheibe | Rondelle | |
| 31 | 011003 | Grower | Grower | Federscheibe | Grower | |
| 32 | 014192 | Vite | Screw | Schraube | Vis | |
| 33 | 014019 | Vite | Screw | Schraube | Vis | |
| 34 | 911630 | Raschietto laterale DX | Scraper | Schaber | Racloir | |
| 35 | 612372 | Chiusura | Plate | Plate | Platte | |
| 36 | 661402 | Piastra | Plate | Plate | Platte | |
| 37 | 010006 | Rondella | Washer | Unterlegscheibe | Rondelle | |
| 38 | 014386 | Vite | Screw | Schraube | Vis | |
| 39 | 004003 | Dado | Nut | Mutter | Ecrou | |
| 40 | 004084 | Dado | Nut | Mutter | Ecrou | |
| 41 | 014214 | Vite | Screw | Schraube | Vis | |
| 42 | 004072 | Dado | Nut | Mutter | Ecrou | |
| 43 | 661403 | Bussola | Bush | Buchse | Bague | |
| 230 | 44 | 961902 | Barra collegamento bracci rullo | Bar | Stab | Barre |
| 255 | | 961903 | Barra collegamento bracci rullo | Bar | Stab | Barre |
| 280 | | 961904 | Barra collegamento bracci rullo | Bar | Stab | Barre |
| 305 | | 961905 | Barra collegamento bracci rullo | Bar | Stab | Barre |
| 45 | 011017 | Grower | Grower | Federscheibe | Grower | |
| 46 | 004065 | Dado | Nut | Mutter | Ecrou | |
| 47 | 014355 | Vite | Screw | Schraube | Vis | |



RUOTE POSTERIORI CON ATTACCHI RULLO • REAR WHEELS FOR ROLLER
 HECKRÄDER FÜR WALZE • ROUES ARRIERES AVEC FIXATIONS ROULEAU

| | | | |
|----------------------|---------------|------|----------------|
| Tav. Tab. Taf. | 110166 | Rev. | 00 0400 |
|----------------------|---------------|------|----------------|



RUOTE POSTERIORI CON ATTACCHI RULLO • REAR WHEELS FOR ROLLER
HECKRÄDER FÜR WALZE • ROUES ARRIERES AVEC FIXATIONS ROULEAU

Tav. 110166 Rev. 00 0400
Tab. Taf.

| RIF. | N. CODICE | DENOMINAZIONE | DENOMINATION | BEZEICHNUNG | DENOMINATION |
|------------|-----------|---------------------------------|------------------------------|------------------------|-------------------------|
| 1 | 011004 | Grower | Grower | Federscheibe | Grower |
| 2 | 411528 | Piastra | Plate | Plate | Platte |
| 3 | 423764 | Boccola | Bush | Buchse | Bague |
| 4 | 411529 | Piastra | Plate | Plate | Platte |
| 5 | 014019 | Vite | Screw | Schraube | Vis |
| 6 | 014176 | Vite | Screw | Schraube | Vis |
| 7 | 004004 | Dado | Nut | Mutter | Ecrou |
| 8 | 423566 | Boccola | Bush | Buchse | Bague |
| 9 | 014035 | Vite | Screw | Schraube | Vis |
| 10 | 423791 | Taschetta rullo sinistra | L.H. Attach. arm fulcrum lug | Links Befestigungsarm | Fixation de bras gauche |
| 11 | 014004 | Vite | Screw | Schraube | Vis |
| 12 | 004054 | Dado | Nut | Mutter | Ecrou |
| 13 | 971548 | Tirante | Linkage | Zugbolzen | Tirant |
| 14 | 911606 | Semibraccio anteriore | Arm | Arm | Bras |
| 15 | 423790 | Taschetta rullo destra | R.H. Attach. arm fulcrum lug | Rechts Befestigungsarm | Fixation de bras droite |
| 16 | 014355 | Vite | Screw | Schraube | Vis |
| 17 | 008001 | Ingrassatore | Grease nipple | Fettbuechse | Graisneur |
| 18 | 423739 | Raschietto | Scraper | Schaber | Racloir |
| 19 | 323596 | Boccola | Bush | Buchse | Bague |
| 20 | 003090 | Cuscinetto | Bearing | Kugellager | Roulement |
| 21 | 099017 | Parapolvere | Dust cover | Staubdeckel | Cache anti poussière |
| 22 | 461091 | Fusello portaruota | Stub axle | Flansch | Fusèè |
| 23 | 011017 | Grower | Grower | Federscheibe | Grower |
| 24 | 911605 | Braccio posteriore | Arm | Arm | Bras |
| 230 | 961902 | Barra collegamento bracci rullo | Bar | Stab | Barre |
| 255 | 961903 | Barra collegamento bracci rullo | Bar | Stab | Barre |
| 280 | 961904 | Barra collegamento bracci rullo | Bar | Stab | Barre |
| 305 | 961905 | Barra collegamento bracci rullo | Bar | Stab | Barre |
| 26 | 015008 | Coperchio | Cover | Deckel | Couvercle |
| 27 | 004074 | Dado | Nut | Mutter | Ecrou |
| 28 | 010008 | Rondella | Washer | Unterlegscheibe | Rondelle |
| 29 | 003059 | Cuscinetto | Bearing | Kugellager | Roulement |
| 30 | 015015 | Ruota in ferro | Wheels | Stutzrad | Roues |



**RUOTE POSTERIORI CON ATTACCHI RULLO • REAR WHEELS FOR ROLLER
HECKRÄDER FÜR WALZE • ROUES ARRIERES AVEC FIXATIONS ROULEAU**

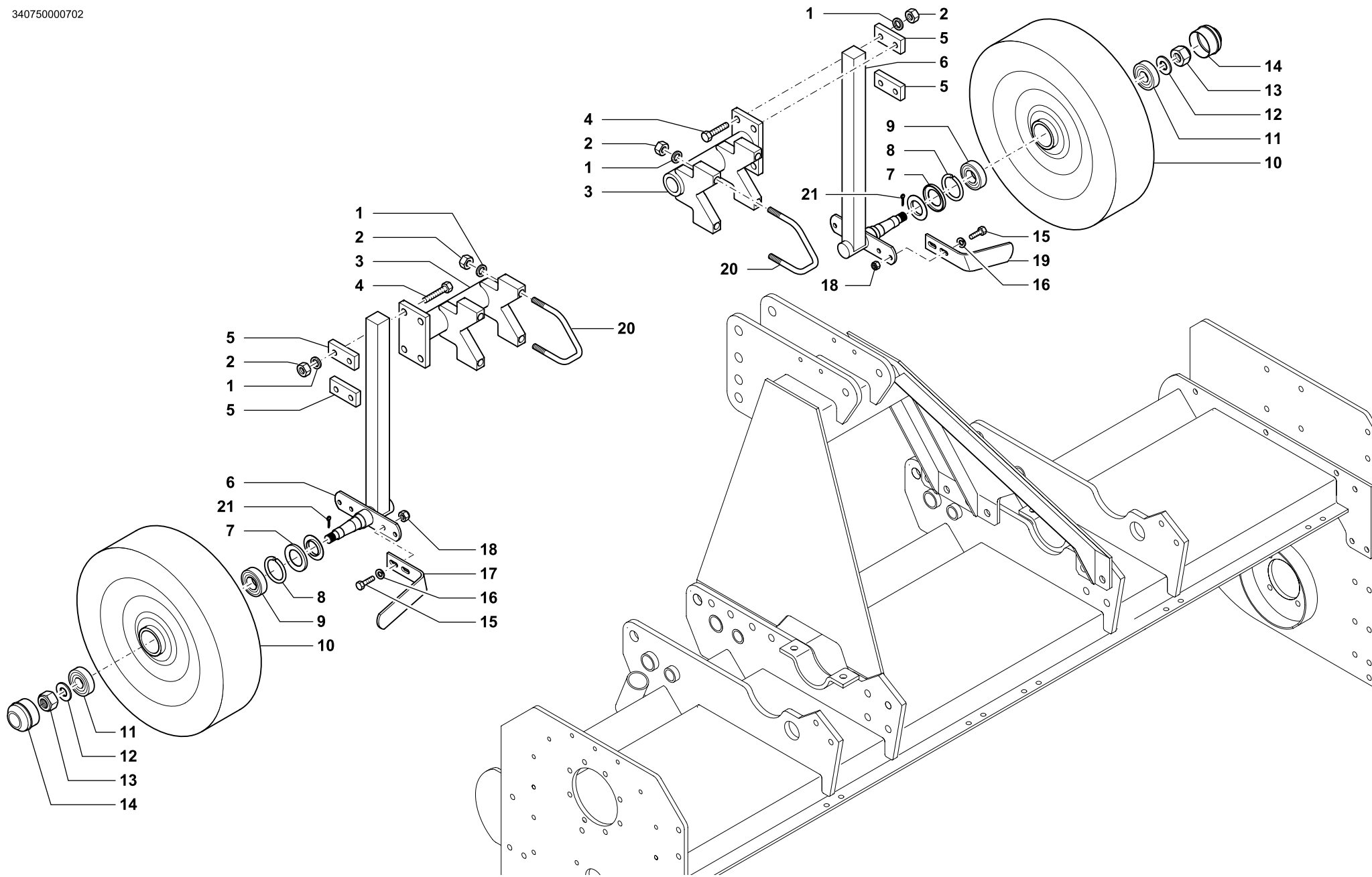
Tav.
Tab.
Taf.

110166

Rev.

00 0400

| RIF. | N. CODICE | DENOMINAZIONE | DENOMINATION | BEZEICHNUNG | DENOMINATION |
|------|-----------|------------------------------|--------------------|----------------------------------|------------------------------|
| 31 | 014227 | Vite | Screw | Schraube | Vis |
| 32 | 011032 | Grower | Grower | Federscheibe | Grower |
| 33 | 461895 | Mozzo | Rubber | Radnabe | Moyeu |
| 34 | 015003 | Cerchio | Rin | Kreis | Cercle |
| 35 | 014276 | Vite | Screw | Schraube | Vis |
| 36 | 008007 | Ingrassatore | Grease nipple | Fettbuechse | Graisser |
| 37 | 014085 | Vite | Screw | Schraube | Vis |
| 38 | 471848 | Ruota + cerchio + pneumatico | Wheel + rin + tyre | Stutzrad + kreis + Pneumatisches | Ruoos + cercle + pneumatique |
| 39 | 017004 | Camera d' aria | Tube | Luftschlauch | Chambre a air |
| 40 | 016007 | Pneumatico | Tyre | Pneumatisches rad | Pneumatique |
| 41 | 423777 | Raschietto | Scraper | Schaber | Racloir |
| 42 | 004065 | Dado | Nut | Mutter | Ecrou |
| 43 | 471870 | Kit ruota in ferro | Steel wheels kit | Eisenrädersatz | Kit roue fer |
| 44 | 011008 | Grower | Grower | Federscheibe | Grower |
| 45 | 471869 | Kit ruota in gomma | Rubber wheels kit | Gummirädersatz | Kit roue pneumatique |



RUOTE ANTERIORI • FRONT WHEELS
VORDERE RÄDE • ROUES AVANT

| | | | |
|------|---------------|------|----------------|
| Tav. | 340750 | Rev. | 00 0702 |
| Tab. | | | |
| Taf. | | | |



RUOTE ANTERIORI • FRONT WHEELS
VORDERE RÄDE • ROUES AVANT

Tav.
Tab.
Taf.

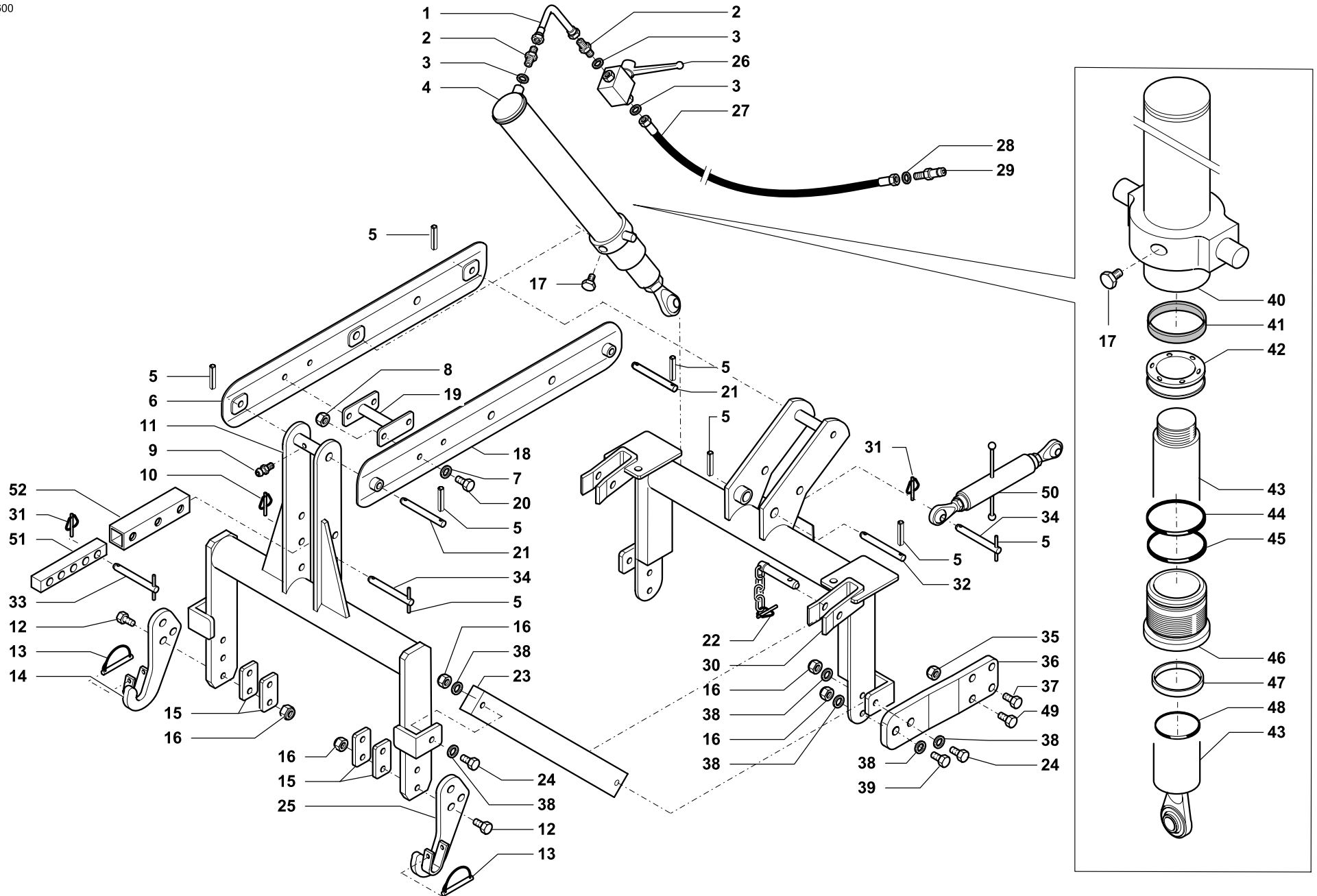
340750

Rev.

00

0702

| RIF. | N. CODICE | DENOMINAZIONE | DENOMINATION | BEZEICHNUNG | DENOMINATION |
|------|---------------|----------------------------|--------------|--------------|----------------------|
| 1 | 010006 | Rondella | Washer | Scheibe | Rondelle |
| 2 | 004063 | Dado | Nut | Mutter | Ecrou |
| 3 | 961693 | Supporto bloccaggio | Support | Halterung | Support |
| 4 | 014241 | Vite | Screw | Schraube | Vis |
| 5 | 923690 | Piastra | Plate | Teller | Plateau |
| 6 | 961699 | Porta ruota | Support | Halterung | Support |
| 7 | 099017 | Parapolvere | Dust cover | Staubdeckel | Cache anti poussière |
| 8 | 001031 | Anello di arresto | Stop ring | Sperring | Bague d'arret |
| 9 | 003073 | Cuscinetto | Bearing | Kugellager | Roulement |
| 10 | 015012 | Ruota | Wheel | Stutzrad | Roue |
| 11 | 003087 | Cuscinetto | Bearing | Kugellager | Roulement |
| 12 | 010008 | Rondella | Washer | Scheibe | Rondelle |
| 13 | 004020 | Dado | Nut | Mutter | Ecrou |
| 14 | 015008 | Cappellotto | Cover | Deckel | Couvercle |
| 15 | 014205 | Vite | Screw | Schraube | Vis |
| 16 | 011002 | Grower | Washer | Federring | Rondelle |
| 17 | 223557 | Raschietto SX | Scraper | Schaber | Racloir |
| 18 | 004058 | Dado | Nut | Mutter | Ecrou |
| 19 | 223558 | Raschietto SX | Scraper | Schaber | Racloir |
| 20 | 923511 | Cavallotto | U bolt | Bügelbolzen | Crampillon |
| 21 | 002013 | Copiglia | Split pin | Hohlstift | Goupille |
| | 471170 | Kit coppia ruote anteriori | Front wheels | Voedere råde | Roues avant |



ATTACCO IDRAULICO SEMINATRICE • HYDRAULIC SEEDING MACHINE HITCH
 HYDRAULISCHE DRILLMASCHINEN-ANHÄNGUNG • ATTELAGE HYDRAULICHE POUR SEMOIR

| | | | |
|----------------------|---------------|------|----------------|
| Tav. Tab. Taf. | 340747 | Rev. | 00 0702 |
|----------------------|---------------|------|----------------|



ATTACCO IDRAULICO SEMINATRICE • HYDRAULIC SEEDING MACHINE HITCH
HYDRAULISCHE DRILLMASCHINEN-ANHÄNGUNG • ATTELAGE HYDRAULICHE POUR SEMOIR

Tav.
Tab.
Taf. **340747**

Rev. **00 0702**

| RIF. | N. CODICE | DENOMINAZIONE | DENOMINATION | BEZEICHNUNG | DENOMINATION |
|------|-----------|---------------------|------------------|-------------------|-------------------|
| 1 | 022146 | Adattatore | Adapter | Anpassungsgeraet | Adaptateur |
| 2 | 023059 | Raccordo | Connection | Anschluss | Raccord |
| 3 | 022086 | Rondella | Washer | Unterlegscheibe | Rondelle |
| 4 | 671759 | Martinetto completo | Complete jack | Komplette winde | Vérin complet |
| 5 | 013014 | Spina spirol | Pin | Stift | Goupille |
| 6 | 661451 | Traversa sinistra | Cross piece | Querbalken | Traverse |
| 7 | 010005 | Rondella | Washer | Unterlegscheibe | Rondelle |
| 8 | 004079 | Dado | Nut | Mutter | Ecrou |
| 9 | 008007 | Ingrassatore | Grease nipple | Fettbuechse | Graisiseur |
| 10 | 013023 | Spina a scatto | Pin | Stift | Goupille |
| 11 | 661456 | Supporto posteriore | Support | Halterung | Support |
| 12 | 014129 | Vite | Screw | Schraube | Vis |
| 13 | 013048 | Spinotto ad arco | Pin | Stift | Goupille |
| 14 | 661453 | Gancio sinistro | Hook | Haken | Crochet |
| 15 | 612455 | Distanziale | Spacer | Distanzstueck | Entretoise |
| 16 | 004073 | Dado | Nut | Mutter | Ecrou |
| 17 | 022009 | Tappo | Plug | Verschluss | Bouchon |
| 18 | 661450 | Traversa destra | Cross piece | Querbalken | Traverse |
| 19 | 661457 | Distanziale | Spacer | Distanzstueck | Entretoise |
| 20 | 014215 | Vite | Screw | Schraube | Vis |
| 21 | 623422 | Perno | Pivot | Bolzen | Axe |
| 22 | 013052 | Spina con catena | Pin | Stift | Goupille |
| 23 | 661452 | Braccio supporto | Arm | Arm | Bras |
| 24 | 014130 | Vite | Screw | Schraube | Vis |
| 25 | 661454 | Gancio destro | Hook | Haken | Crochet |
| 26 | 021072 | Rubinetto | Tap | Ablasschahn | Robinet |
| 27 | 023160 | Tubo | Hose | Schlauch | Tuyau |
| 28 | 022087 | Rondella | Washer | Unterlegscheibe | Rondelle |
| 29 | 022082 | Innesto rapido | Shap-on coupling | Baionett kupplung | Joint a baionette |
| 30 | 661455 | Supporto anteriore | Support | Halterung | Support |
| 31 | 013011 | Spina a scatto | Pin | Stift | Goupille |
| 32 | 623420 | Perno | Pivot | Bolzen | Axe |
| 33 | 623419 | Perno | Pivot | Bolzen | Axe |

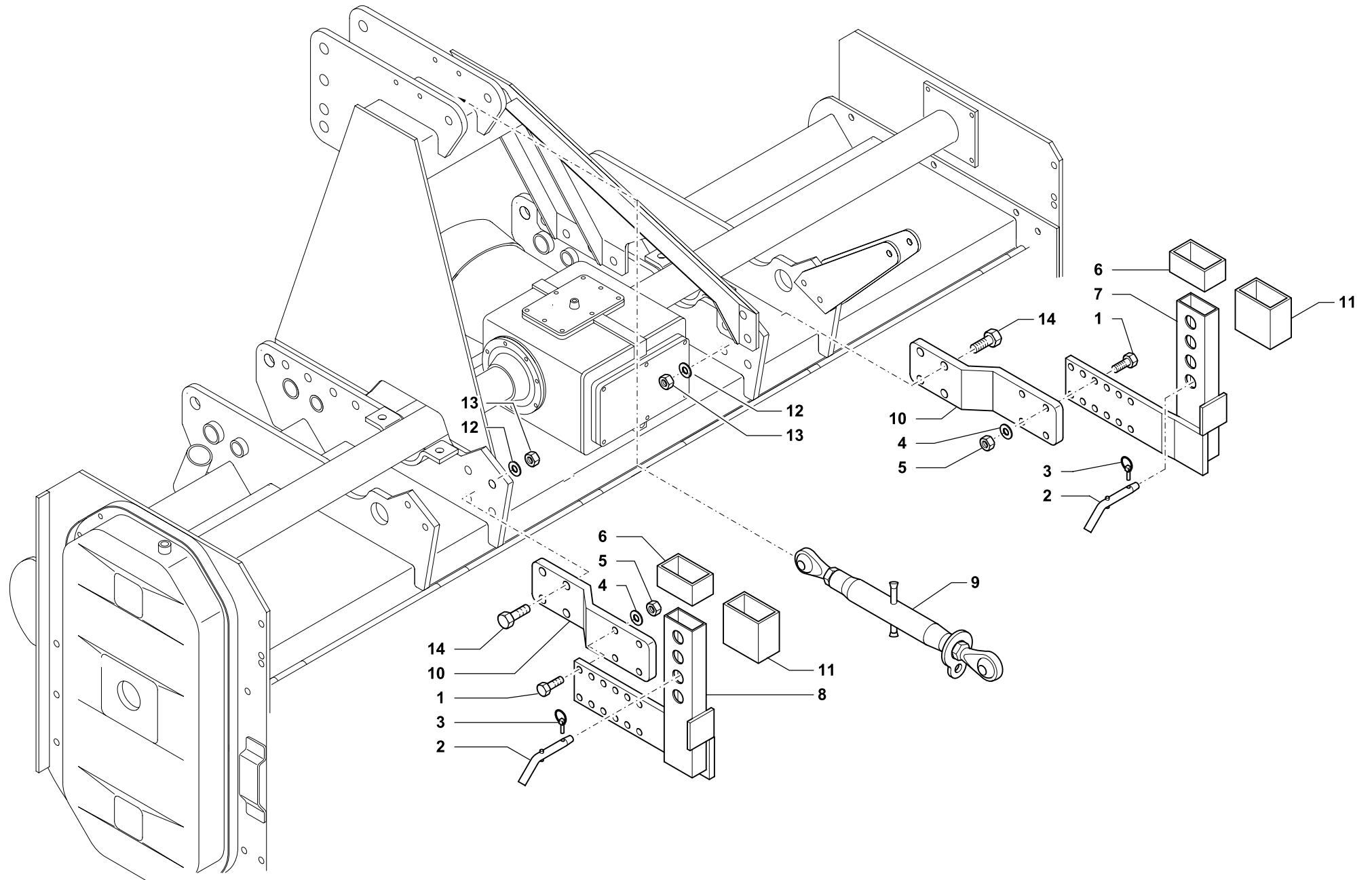


ATTACCO IDRAULICO SEMINATRICE • HYDRAULIC SEEDING MACHINE HITCH
HYDRAULISCHE DRILLMASCHINEN-ANHÄNGUNG • ATTELAGE HYDRAULICHE POUR SEMOIR

Tav.
Tab.
Taf. **340747**

Rev. **00 0702**

| RIF. | N. CODICE | DENOMINAZIONE | DENOMINATION | BEZEICHNUNG | DENOMINATION |
|------|---------------|-----------------------------------|---------------------------------|--------------------------------|----------------------------------|
| 34 | 623421 | Perno | Pivot | Bolzen | Axe |
| 35 | 004077 | Dado | Nut | Mutter | Ecrou |
| 36 | 412142 | Piastra | Plate | Plate | Platte |
| 37 | 014390 | Vite | Screw | Schraube | Vis |
| 38 | 010008 | Rondella | Washer | Unterlegscheibe | Rondelle |
| 39 | 014233 | Vite | Screw | Schraube | Vis |
| 40 | 661459 | Cilindro | Cylinder | Zylinder | Cylindre |
| 41 | 007212 | Anello | Ring | Ring | Bague |
| 42 | 623428 | Pistone | Piston | Kolben | Piston |
| 43 | 661460 | Stelo completo | Rod complet | Spindel | Tige |
| 44 | 007214 | Guarnizione | Gasket | Dichtring | Joint |
| 45 | 007215 | Guarnizione | Gasket | Dichtring | Joint |
| 46 | 623426 | Guida stelo | Guide | Fuehrung | Guide |
| 47 | 007216 | Guarnizione | Gasket | Dichtring | Joint |
| 48 | 007213 | Guarnizione | Gasket | Dichtring | Joint |
| 49 | 014391 | Vite | Screw | Schraube | Vis |
| 50 | 972540 | Tirante | Linkage | Zugbolzen | Tirant |
| 51 | 612204 | Tirante attacco sollevamento idr. | Linkage | Zugbolzen | Tirant |
| 52 | 612205 | Tirante attacco sollevamento idr. | Linkage | Zugbolzen | Tirant |
| | 471506 | Attacco idraulico seminatrice | Hidraulic seeding machine hitch | Hidr. Drillmaschinen-Anhängung | Attelage hydrauliche pour semoir |





ATTACCO SEMINATRICE • HITCH FOR SEED DRILL
DRILLMASCHINEN-ANHÄNGUNG • ATTELAGE SEMOIR

Tav.
Tab.
Taf.

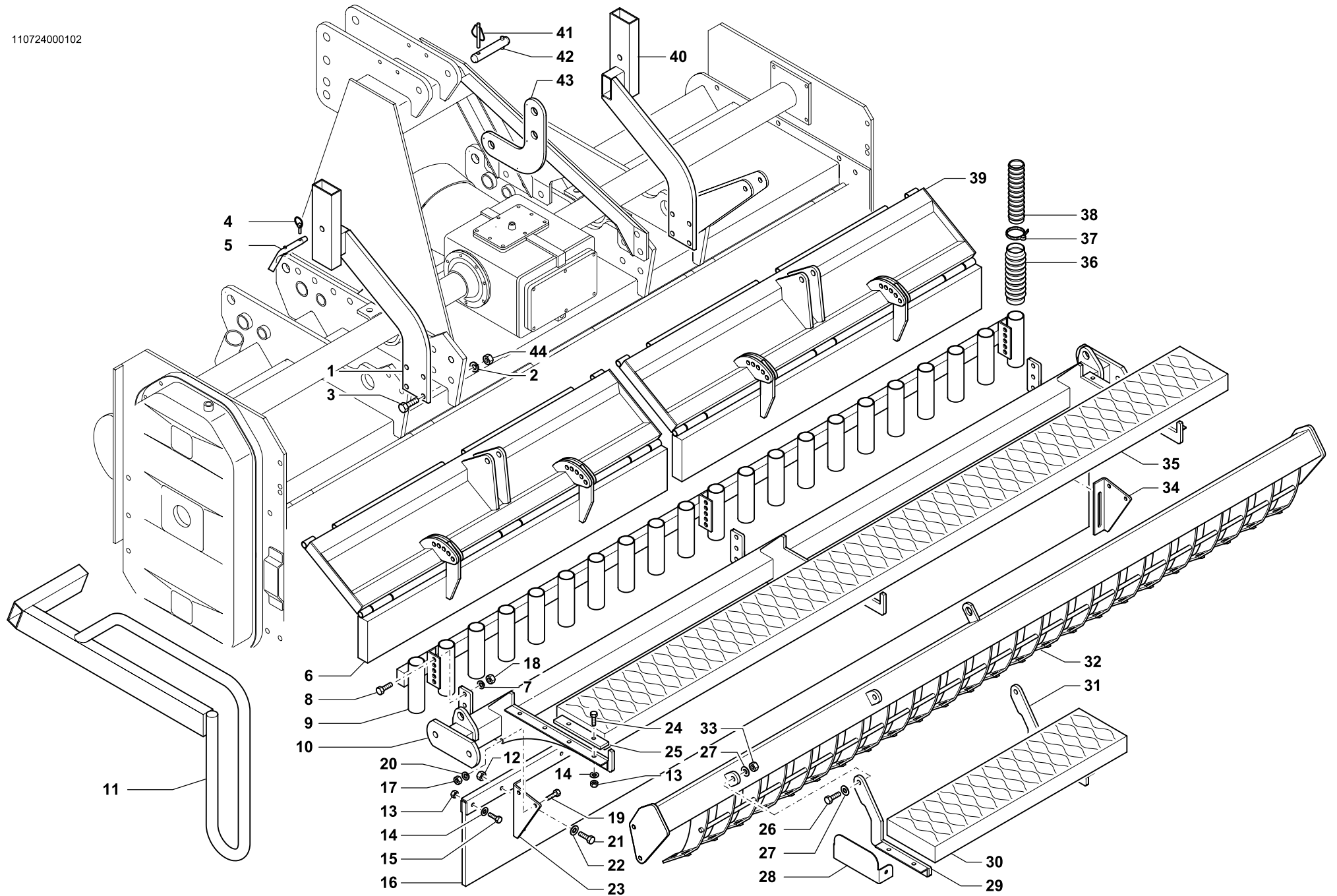
110690

Rev.

01

0402

| RIF. | N. CODICE | DENOMINAZIONE | DENOMINATION | BEZEICHNUNG | DENOMINATION |
|------|-----------|---------------------------------|--------------|-----------------|--------------|
| 1 | 014126 | Vite | Screw | Schraube | Vis |
| 2 | 223559 | Perno | Pivot | Bolzen | Axe |
| 3 | 013011 | Spina a scatto | Pin | Stift | Goupille |
| 4 | 010002 | Rondella | Washer | Unterlegscheibe | Rondelle |
| 5 | 004054 | Dado | Nut | Mutter | Ecrou |
| 6 | 972542 | Distanziale H=50 | Spacer | Distanzstueck | Entretoise |
| 7 | 972956 | Supporto DX attacco seminatrice | Support | Halterung | Support |
| 8 | 972955 | Supporto SX attacco seminatrice | Support | Halterung | Support |
| 9 | 972541 | Tirante terzo punto L=470-720 | Linkage | Zugbolzen | Tirant |
| 10 | 412918 | Piastra attacco seminatrice | Plate | Teller | Plateau |
| 11 | 972509 | Distanziale H=100 | Spacer | Distanzstueck | Entretoise |
| 12 | 010003 | Rondella | Washer | Unterlegscheibe | Rondelle |
| 13 | 004077 | Dado | Nut | Mutter | Ecrou |
| 14 | 014231 | Vite | Screw | Schraube | Vis |



ATTACCO SEMINATRICE • HITCH FOR SEED DRILL
 DRILLMASCHINEN-ANHÄNGUNG • ATTELAGE SEMOIR



| | | | |
|----------------------|---------------|------|----------------|
| Tav. Tab. Taf. | 110724 | Rev. | 01 0402 |
|----------------------|---------------|------|----------------|



ATTACCO SEMINATRICE • HITCH FOR SEED DRILL
DRILLMASCHINEN-ANHÄNGUNG • ATTELAGE SEMOIR

Tav.
Tab.
Taf.

110724

Rev

01

0402

| RIF. | N. CODICE | DENOMINAZIONE | DENOMINATION | BEZEICHNUNG | DENOMINATION |
|------------|-----------|-----------------------------|----------------|-----------------|-------------------------|
| 1 | 961208 | Supporto inferiore sinistro | Support | Halterung | Support |
| 2 | 011004 | Grower | Washer | Federring | Rondelle |
| 3 | 014082 | Vite | Screw | Schraube | Vis |
| 4 | 013023 | Spina a scatto | Pin | Stift | Goupille |
| 5 | 223559 | Perno | Pivot | Bolzen | Axe |
| 6 | 468500 | Ventola sinistra | Tailgate, LHS | Prallblech, l. | Tablier, gauche |
| 7 | 011033 | Grower | Washer | Federring | Rondelle |
| 8 | 014213 | Vite | Screw | Schraube | Vis |
| 255 | 961178 | Barra porta canne | Bar | Stab | Barre porte descentes |
| 305 | 961179 | Barra porta canne | Bar | Stab | Barre porte descentes |
| 255 | 961175 | Trave rullo porta pedana | Beam | Träger | Travée porte passerelle |
| 305 | 961176 | Trave rullo porta pedana | Beam | Träger | Travée porte passerelle |
| 11 | 961789 | Maniglia corrimano | Handrail | Handlauf | Rampe |
| 12 | 004084 | Dado | Nut | Mutter | Ecrou |
| 13 | 004055 | Dado | Nut | Mutter | Ecrou |
| 14 | 010023 | Rondella | Washer | Unterlegscheibe | Rondelle |
| 15 | 014057 | Vite | Screw | Schraube | Vis |
| 16 | 961756 | Paraterra in gomma | Fender, rubber | Schutz | Protection caout chouc |
| 17 | 004058 | Dado | Nut | Mutter | Ecrou |
| 18 | 004030 | Dado | Nut | Mutter | Ecrou |
| 19 | 014205 | Vite | Screw | Schraube | Vis |
| 20 | 011032 | Grower | Washer | Federring | Rondelle |
| 21 | 014218 | Vite | Screw | Schraube | Vis |
| 22 | 010004 | Rondella | Washer | Unterlegscheibe | Rondelle |
| 23 | 912579 | Supporto sinistro paraterra | Support | Halterung | Support |
| 24 | 014245 | Vite | Screw | Schraube | Vis |
| 25 | 923504 | Piatto fissaggio pedana | Plate | Platte | Plateau |
| 26 | 014004 | Vite | Screw | Schraube | Vis |
| 27 | 010002 | Rondella | Washer | Unterlegscheibe | Rondelle |
| 28 | 912503 | Sponda laterale pedana | Side plate | Seitenplatte | Bordure passerelle |
| 29 | 961172 | Supporto gradino sinistro | Support | Halterung | Support |
| 30 | 912167 | Gradino | Step | Tritt | Marche |
| 31 | 961173 | Supporto gradino destro | Support | Halterung | Support |



ATTACCO SEMINATRICE • HITCH FOR SEED DRILL
DRILLMASCHINEN-ANHÄNGUNG • ATTELAGE SEMOIR

Tav.
Tab.
Taf.

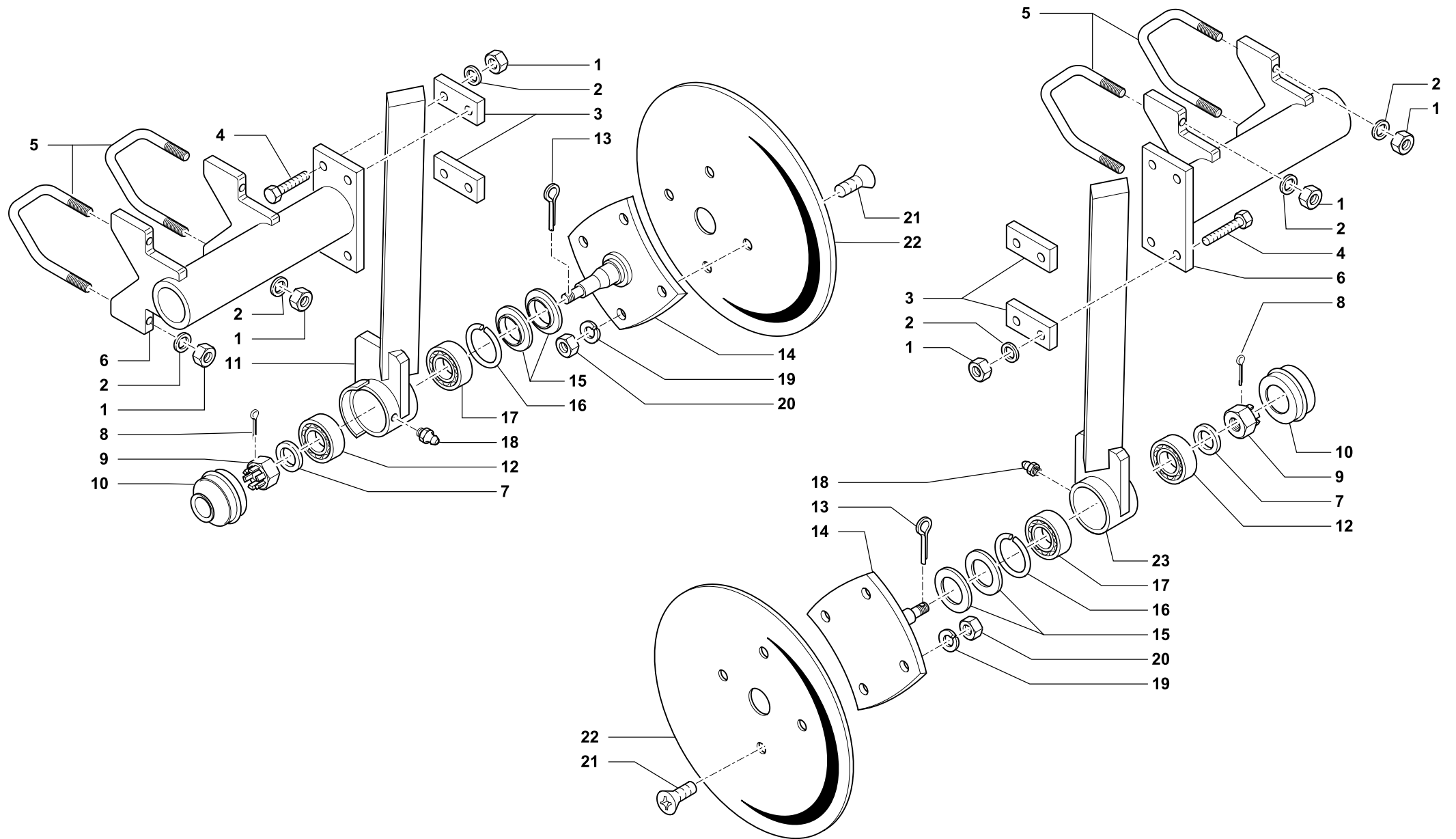
110724

Rev

01

0402

| RIF. | N. CODICE | DENOMINAZIONE | DENOMINATION | BEZEICHNUNG | DENOMINATION |
|------|-----------|---------------------------|------------------|------------------|-----------------------|
| 32 | 961796 | Barra portaraschietti | Bar | Stab | Barre porte racloires |
| 33 | 004054 | Dado | Nut | Mutter | Ecrou |
| 34 | 912578 | Supporto destro paraterra | Support | Halterung | Support |
| 35 | 912165 | Pedana | Foot board | Trittbrett | Passerelle |
| 36 | 025044 | Manicotto gomma | Muff | Muffe | Manchon gomme |
| 37 | 023126 | Fascetta | Collar | Schelle | Collier |
| 38 | 022131 | Tubo spiralato | Tube | Rohr | Tube spiral |
| 39 | 468510 | Ventola destra | Tailgate, RHS | Prallblech, r. | Tablier, droit |
| 40 | 961209 | Supporto inferiore destro | Support | Halterung | Support |
| 41 | 013011 | Spina a scatto | Pin | Stift | Goupille |
| 42 | 423719 | Perno | Pivot | Bolzen | Axe |
| 43 | 912162 | Attacco superiore | Upper attachment | Verbindungsstück | Attelage supérieur |
| 44 | 004004 | Dado | Nut | Mutter | Ecrou |



DISCHI CONVOGLIATORI • CONVEYOR DISC
 VORNE FÖDERERSCHRAUBE • DISQUES CONVOYEURS

| | | | |
|----------------------|---------------|------|----------------|
| Tav. Tab. Taf. | 138110 | Rev. | 01 0202 |
|----------------------|---------------|------|----------------|



DISCHI CONVOGLIATORI • CONVEYOR DISC
VORNE FÖDERERSCHRAUBE • DISQUES CONVOYEURS

Tav.
Tab.
Taf.

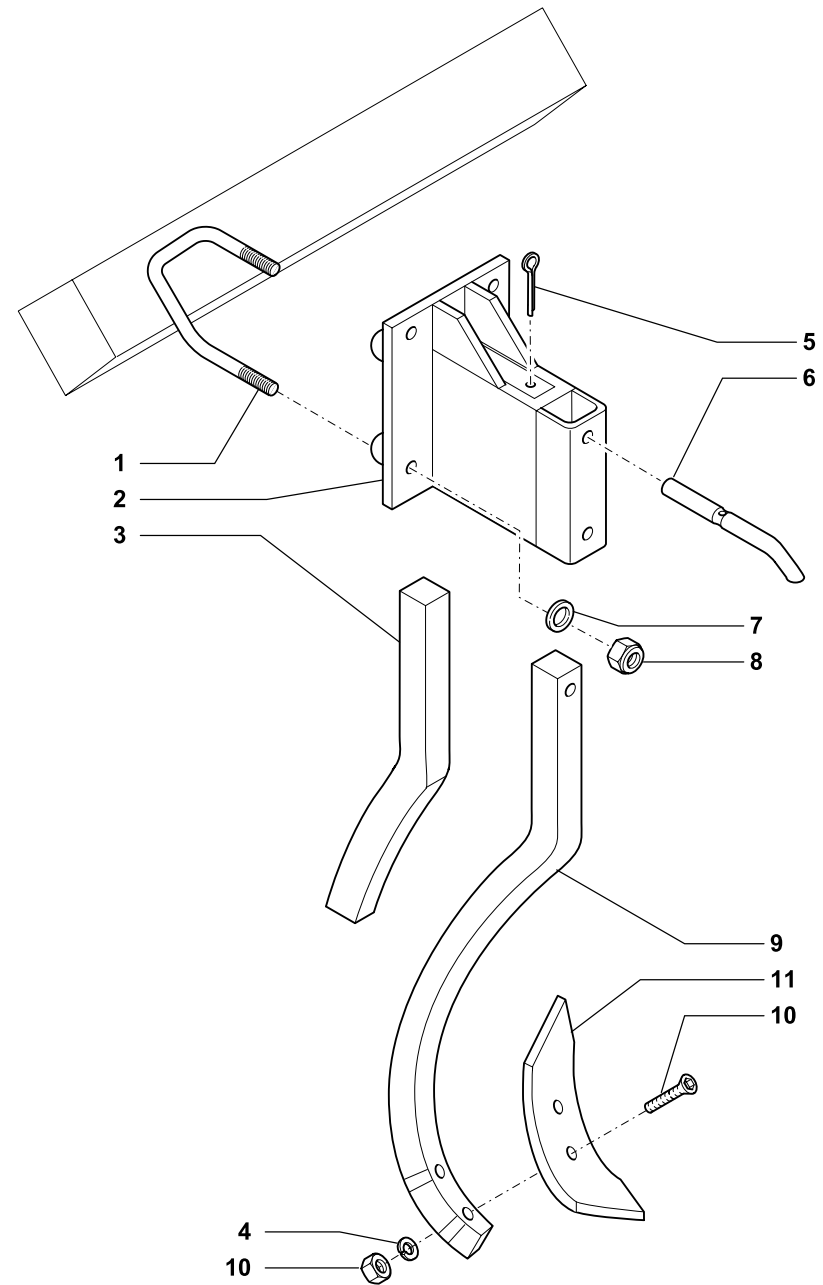
138110

Rev.

01

0202

| RIF. | N. CODICE | DENOMINAZIONE | DENOMINATION | BEZEICHNUNG | DENOMINATION |
|------|---------------|--------------------------------|---------------------|-----------------------|----------------------------|
| 1 | 004063 | Dado | Nut | Mutter | Ecrou |
| 2 | 010006 | Rondella | Washer | Unterlegscheibe | Rondelle |
| 3 | 923690 | Piastra | Plate | Plate | Platte |
| 4 | 014241 | Vite | Screw | Schraube | Vis |
| 5 | 923511 | Cavallotto | U bolt | Bügelbolzen | Crampillon |
| 6 | 961693 | Supporto portadisco | Support | Halterung | Support |
| 7 | 010009 | Rondella | Washer | Unterlegscheibe | Rondelle |
| 8 | 002014 | Copiglia | Split pin | Hohlstift | Goupille |
| 9 | 004080 | Dado | Nut | Mutter | Ecrou |
| 10 | 015008 | Coperchio | Cover | Deckel | Couvercle |
| 11 | 961697 | Supporto sinistro | Support | Halterung | Support |
| 12 | 003087 | Cuscinetto | Bearing | Kugellager | Roulement |
| 13 | 002013 | Copiglia | Split pin | Hohlstift | Goupille |
| 14 | 961524 | Fusello | Drive hub | Nabe | Fusee |
| 15 | 099017 | Parapolvere | Dust cover | Staubdeckel | Cache anti poussière |
| 16 | 001031 | Anello di arresto | Stop ring | Sperring | Bague d'arret |
| 17 | 003073 | Cuscinetto | Bearing | Kugellager | Roulement |
| 18 | 008002 | Ingrassatore | Grease nipple | Fettbuechse | Graisser |
| 19 | 011002 | Grower | Washer | Federring | Rondelle |
| 20 | 004002 | Dado | Nut | Mutter | Ecrou |
| 21 | 014155 | Vite | Screw | Schraube | Vis |
| 22 | 099030 | Disco frangizolle | Disc | Scheibe | Disque |
| 23 | 961696 | Supporto destro | Support | Halterung | Support |
| | 971511 | Dischi convogliatori anteriori | Front conveyor disc | Vorne födererschraube | Disques convoyeurs arriere |

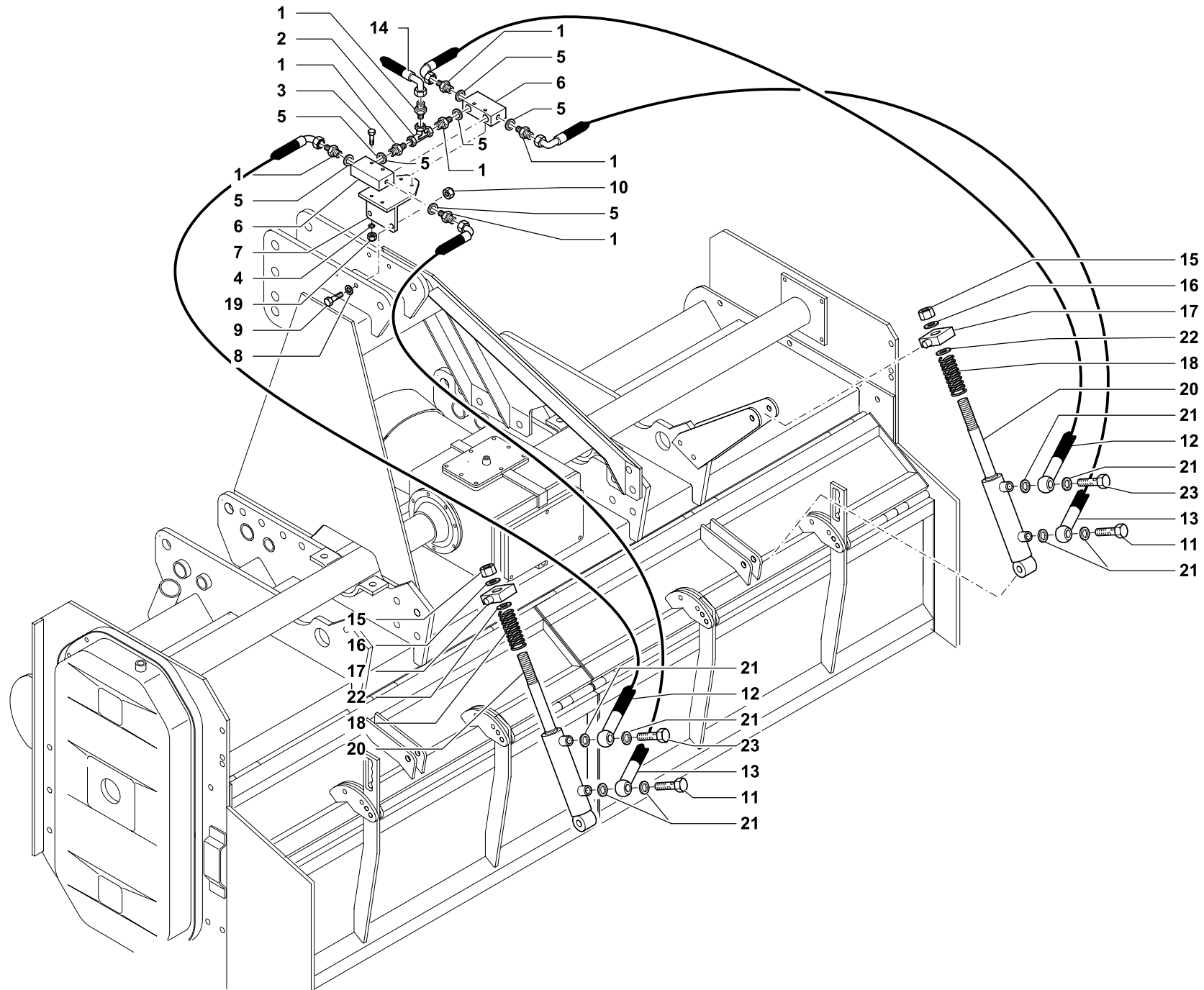




**ROMPITRACCIA • LOOSENING TINE
SPURLOCKERER • BRISE TRACES**

| | | | | |
|----------------------|---------------|------|-----------|-------------|
| Tav. Tab. Taf. | 138111 | Rev. | 00 | 0699 |
|----------------------|---------------|------|-----------|-------------|

| RIF. | N. CODICE | DENOMINAZIONE | DENOMINATION | BEZEICHNUNG | DENOMINATION |
|------|---------------|-------------------------|----------------|-------------------|--------------|
| 1 | 923511 | Cavallotto | U bolt | Bügelbolzen | Crampillon |
| 2 | 961510 | Supporto | Support | Halterung | Support |
| 3 | 099027 | Rinforzo | Arm | Arm | Bras |
| 4 | 011003 | Grower | Washer | Federring | Rondelle |
| 5 | 002014 | Copiglia | Split pin | Hohlstift | Goupille |
| 6 | 923510 | Perno | Pivot | Bolzen | Axe |
| 7 | 010006 | Rondella | Washer | Unterlegscheibe | Rondelle |
| 8 | 004072 | Dado | Nut | Mutter | Ecrou |
| 9 | 099028 | Ancora per rompitraccia | Ripper leg | Ripper | Ripper |
| 10 | 014354 | Vite + dado | Screw + nut | Schraube + mutter | Vis + ecrou |
| 11 | 099029 | Vomere | Blade | Messer | Burin |
| | 471708 | Rompitraccia singolo | Loosening tine | Spurlockerer | Brise traces |



KIT MARTINETTI IDRAULICI SOLLEVAMENTO VENTOLA FRANGOR • HYDRAULIC SYSTEM FOR FRANGOR
REAR SHIELD • HYDRAULISCHE ANLAGE • KIT VERIN HYDRAULIQUE

| | | | |
|------|---------------|------|----------------|
| Tav. | 110507 | Rev. | 02 0402 |
| Tab. | | | |
| Taf. | | | |

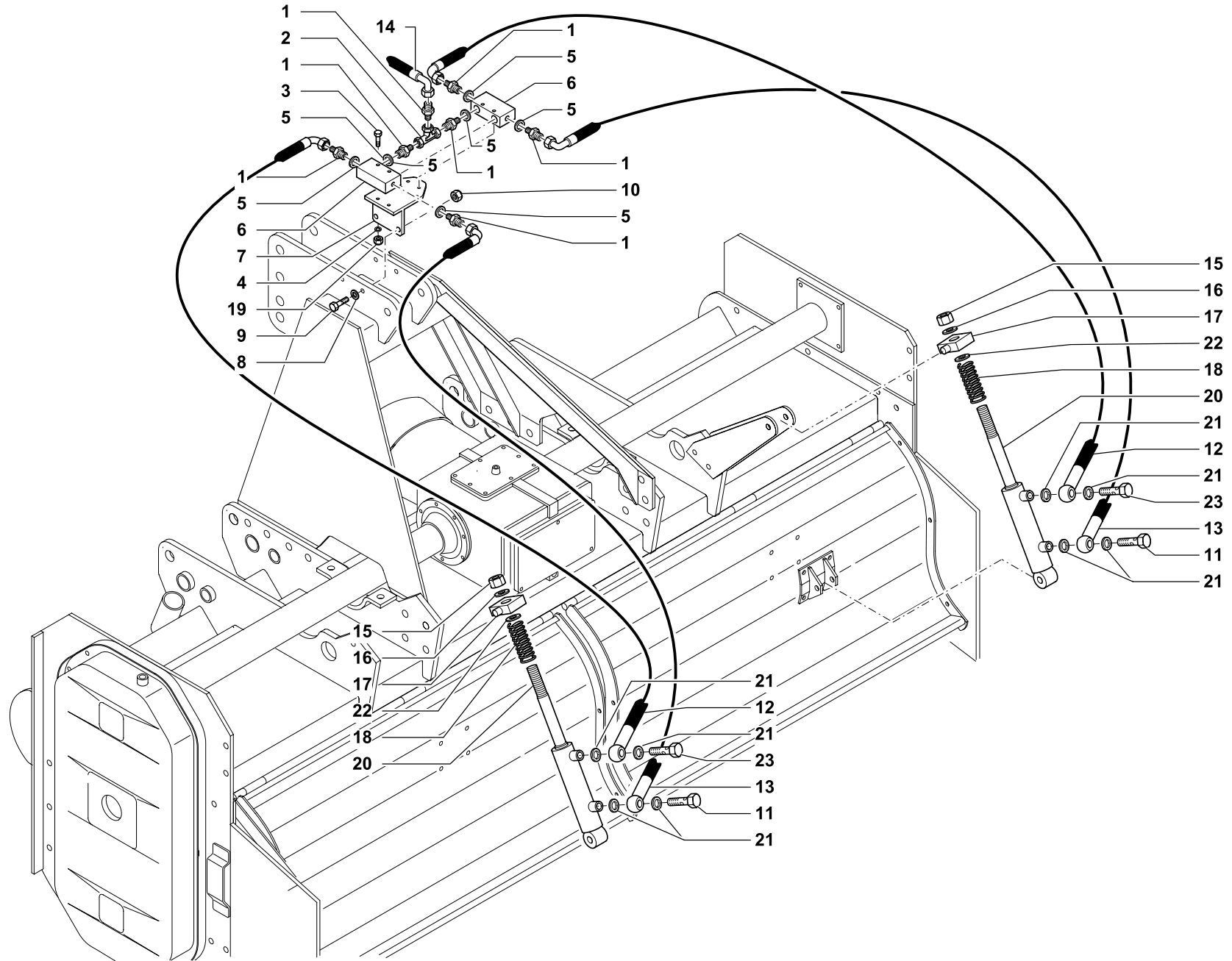


KIT MARTINETTI IDRAULICI SOLLEVAMENTO VENTOLA FRANGOR • HYDRAULIC SYSTEM FOR FRANGOR
REAR SHIELD • HYDRAULISCHE ANLAGE • KIT VERIN HYDRAULIQUE

Tav.
Tab.
Taf. **110507**

Rev. **02 0402**

| RIF. | N. CODICE | DENOMINAZIONE | DENOMINATION | BEZEICHNUNG | DENOMINATION |
|------|---------------|---------------------------|---------------|-----------------|-----------------|
| 1 | 022104 | Riduzione | Nipple | Nippel | Reduction |
| 2 | 023142 | Raccordo | Connection | Anschluss | Raccord |
| 3 | 014121 | Vite | Screw | Schraube | Vis |
| 4 | 010015 | Rondella | Washer | Unterlegscheibe | Rondelle |
| 5 | 022085 | Rondella | Washer | Unterlegscheibe | Rondelle |
| 6 | 021069 | Valvola controllo discesa | Stop valve | Sperrventil | Suopape d'arret |
| 7 | 912630 | Supporto | Support | Halterung | Support |
| 8 | 010004 | Rondella | Washer | Unterlegscheibe | Rondelle |
| 9 | 014149 | Vite | Screw | Schraube | Vis |
| 10 | 004084 | Dado | Nut | Mutter | Ecrou |
| 11 | 022175 | Vite strozzata | Capstan screw | Lochschaube | Vis trouee |
| 12 | 023140 | Tubo | Hose | Schlauch | Tuyau |
| 13 | 023141 | Tubo | Hose | Schlauch | Tuyau |
| 14 | 023064 | Tubo | Hose | Schlauch | Tuyau |
| 15 | 004073 | Dado | Nut | Mutter | Ecrou |
| 16 | 010009 | Rondella | Washer | Unterlegscheibe | Rondelle |
| 17 | 923587 | Supporto | Support | Halterung | Support |
| 18 | 923505 | Molla | Spring | Feder | Ressort |
| 19 | 004023 | Dado | Nut | Mutter | Ecrou |
| 20 | 971525 | Martinetto completo | Complete jack | Komplette winde | Vérin complet |
| 21 | 022086 | Rondella | Washer | Unterlegscheibe | Rondelle |
| 22 | 010012 | Rondella | Washer | Unterlegscheibe | Rondelle |
| 23 | 022070 | Vite forata | Capstan screw | Lochschaube | Vis trouee |
| | 471864 | Kit martinetto | Jack kit | Windensatz | Kit verin |



KIT MARTINETTI IDRAULICI SOLLEVAMENTO VENTOLA FRESE • HYDRAULIC POSITIONING SYSTEM FOR ROTARY TILLERS
REAR SHIELD • SATZHYDRAULISCHE WINDEN ZUM BODENKLAPPE-HEBEN • KIT VERIN HYDRAULIQUE FRAISE

Tav. **110523**
 Tab.
 Taf.

Rev. **01 0402**



KIT MARTINETTI IDRAULICI SOLLEVAMENTO VENTOLA FRESE • HYDRAULIC POSITIONING SYSTEM FOR ROTARY TILLERS
REAR SHIELD • SATZHYDRAULISCHE WINDEN ZUM BODENKLAPPE~HEBEN • KIT VERIN HYDRAULIQUE FRAISE

Tav.
Tab.
Taf.

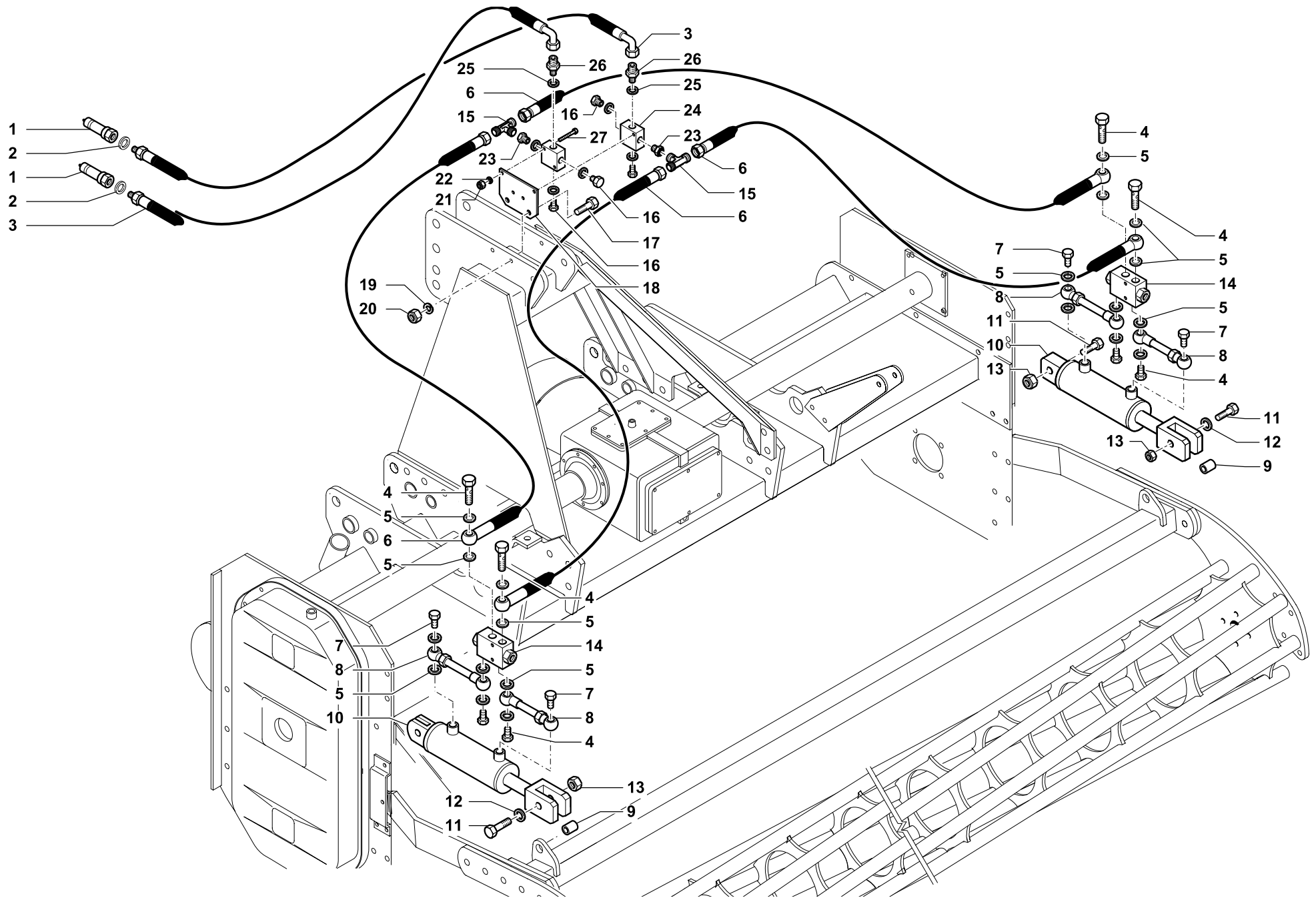
110523

Rev.

01

0402

| RIF. | N. CODICE | DENOMINAZIONE | DENOMINATION | BEZEICHNUNG | DENOMINATION |
|------|---------------|---------------------------|---------------|-----------------|-----------------|
| 1 | 022104 | Riduzione | Nipple | Nippel | Reduction |
| 2 | 023142 | Raccordo | Connection | Anschluss | Raccord |
| 3 | 014121 | Vite | Screw | Schraube | Vis |
| 4 | 010015 | Rondella | Washer | Unterlegscheibe | Rondelle |
| 5 | 022085 | Rondella | Washer | Unterlegscheibe | Rondelle |
| 6 | 021069 | Valvola controllo discesa | Stop valve | Sperrventil | Suopape d'arret |
| 7 | 912630 | Supporto | Support | Halterung | Support |
| 8 | 010004 | Rondella | Washer | Unterlegscheibe | Rondelle |
| 9 | 014149 | Vite | Screw | Schraube | Vis |
| 10 | 004084 | Dado | Nut | Mutter | Ecrou |
| 11 | 022175 | Vite strozzata | Capstan screw | Lochschaube | Vis trouee |
| 12 | 023140 | Tube | Hose | Schlauch | Tuyau |
| 13 | 023141 | Tube | Hose | Schlauch | Tuyau |
| 14 | 023064 | Tube | Hose | Schlauch | Tuyau |
| 15 | 004073 | Dado | Nut | Mutter | Ecrou |
| 16 | 010009 | Rondella | Washer | Unterlegscheibe | Rondelle |
| 17 | 923587 | Supporto | Support | Halterung | Support |
| 18 | 923505 | Molla | Spring | Feder | Ressort |
| 19 | 004023 | Dado | Nut | Mutter | Ecrou |
| 20 | 471445 | Martinetto completo | Complete jack | Komplette winde | Vérin complet |
| 21 | 022086 | Rondella | Washer | Unterlegscheibe | Rondelle |
| 22 | 010012 | Rondella | Washer | Unterlegscheibe | Rondelle |
| 23 | 022070 | Vite forata | Capstan screw | Lochschaube | Vis trouee |
| | 471859 | Kit martinetto | Jack kit | Windensatz | Kit verin |



IMPIANTO IDRAULICO SOLLEVAMENTO RULLO • HYDRAULIC SYSTEM
 HYDRAULISCHE ANLAGE • SYSTEME DU REGLAGE HYDRAULIQUE

| | | | |
|----------------------|---------------|------|----------------|
| Tav. Tab. Taf. | 110518 | Rev. | 03 0903 |
|----------------------|---------------|------|----------------|



IMPIANTO IDRAULICO SOLLEVAMENTO RULLO • HYDRAULIC SYSTEM
HYDRAULISCHE ANLAGE • SYSTEME DU REGLAGE HYDRAULIQUE

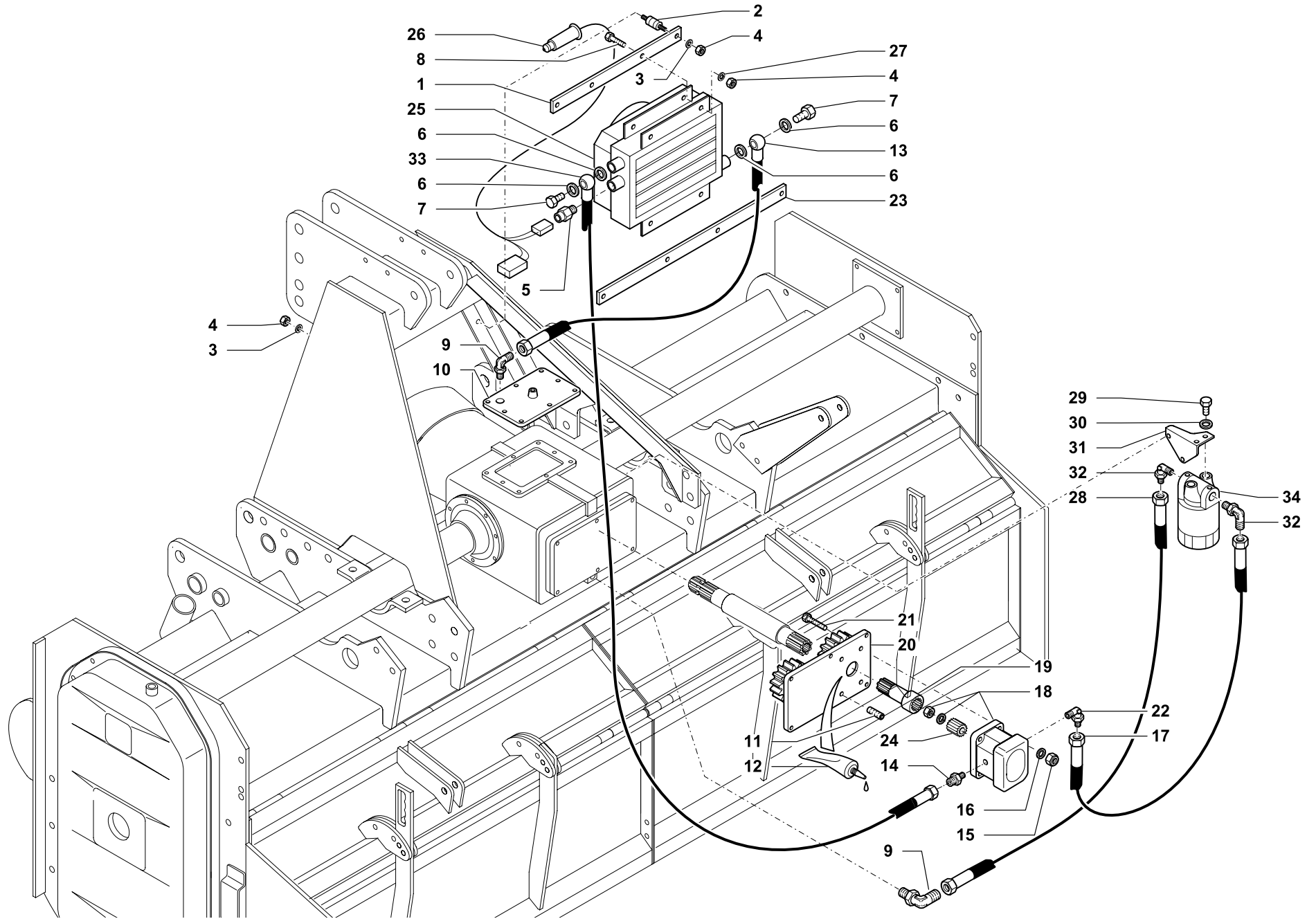
Tav.
Tab.
Taf.

110518

Rev.

03 0903

| RIF. | N. CODICE | DENOMINAZIONE | DENOMINATION | BEZEICHNUNG | DENOMINATION |
|------|---------------|---------------------------------------|--------------------------|---------------------|--------------------------------|
| 1 | 022082 | Innesto rapido | Shap-on coupling | Baionett kupplung | Joint a baionette |
| 2 | 022087 | Rondella | Washer | Unterlegscheibe | Rondelle |
| 3 | 023064 | Tubo | Hose | Schlauch | Tuyau |
| 4 | 022070 | Vite cava | Screw | Schraube | Vis |
| 5 | 022086 | Rondella | Washer | Unterlegscheibe | Rondelle |
| 6 | 023061 | Tubo | Hose | Schlauch | Tuyau |
| 7 | 022175 | Vite forata strozzata | Screw | Schraube | Vis |
| 8 | 621736 | Tubo | Hose | Schlauch | Tuyau |
| 9 | 423833 | Boccola | Spacer | Distanzstueck | Entretoise |
| 10 | 471444 | Martinetto completo | Complete jack | Komplette winde | Vérin complete |
| | 471842 | Kit guarnizioni martinetto | Hydraulic ram seal group | Dichtungsgruppe | Groupe d'etancheite |
| 11 | 014221 | Vite | Screw | Schraube | Vis |
| 12 | 010006 | Rondella | Washer | Unterlegscheibe | Rondelle |
| 13 | 004072 | Dado | Nut | Mutter | Ecrou |
| 14 | 021087 | Valvola di blocco | Stop valve | Sperrventil | Suopape d'arret |
| 15 | 022169 | Raccordo a T | Connection | Anschluss | Raccord |
| 16 | 022180 | Tappo | Plug | Pfropfen | Bouchon |
| 17 | 014149 | Vite | Screw | Schraube | Vis |
| 18 | 611500 | Piastrina supporto | Plate | Teller | Plateau |
| 19 | 010004 | Rondella | Washer | Unterlegscheibe | Rondelle |
| 20 | 004084 | Dado | Nut | Mutter | Ecrou |
| 21 | 004083 | Dado | Nut | Mutter | Ecrou |
| 22 | 010015 | Rondella | Washer | Unterlegscheibe | Rondelle |
| 23 | 022179 | Riduzione | Nipple | Nippel | Reduction |
| 24 | 021059 | Divisore di flusso | Flow divider | Flussteiler | Diviseur de flux |
| 25 | 022077 | Rondella | Washer | Unterlegscheibe | Rondelle |
| 26 | 022182 | Raccordo | Connection | Anschluss | Raccord |
| 27 | 014122 | Vite | Screw | Schraube | Vis |
| | 971750 | Impianto idraulico sollevamento rullo | Hydraulic system | Hydraulische anlage | Systeme du reglage hydraulique |



KIT DI RAFFREDDAMENTO • COOLING KIT
KUEHLUNGSKIT • KIT DE REFRROIDISSEMENT

| | | | |
|----------------------|---------------|------|----------------|
| Tav. Tab. Taf. | 110510 | Rev. | 01 0402 |
|----------------------|---------------|------|----------------|



KIT DI RAFFREDDAMENTO • COOLING KIT
KUEHLUNGSKIT • KIT DE REFROIDISSEMENT

Tav.
Tab.
Taf.

110510

Rev.

01

0402

| RIF. | N. CODICE | DENOMINAZIONE | DENOMINATION | BEZEICHNUNG | DENOMINATION |
|------|---------------|--------------------|----------------------|-------------------|------------------------|
| 1 | 421769 | Staffa | Flask | Pratze | Bride |
| 2 | 099124 | Puffer | Screw shock absorber | Pufferfeder | Ammortisseur |
| 3 | 011001 | Grower | Grower | Federscheibe | Grower |
| 4 | 004055 | Dado | Nut | Mutter | Ecrou |
| 5 | 021061 | Termostato | Thermostat | Thermostat | Thermostat |
| 6 | 022087 | Rondella | Washer | Unterlegscheibe | Rondelle |
| 7 | 022030 | Vite | Screw | Schraube | Vis |
| 8 | 014245 | Vite | Screw | Schraube | Vis |
| 9 | 022120 | Raccordo | Connection | Anschluss | Raccord |
| 10 | 461073 | Coperchio | Cover | Deckel | Couvercle |
| 11 | 014305 | Vite prigioniera | Screw | Schraube | Vis |
| 12 | 094002 | Sigillante | Adhesive | Kleber | Cole |
| 13 | 023130 | Tubo | Hose | Schlauch | Tuyau |
| 14 | 022121 | Raccordo | Connection | Anschluss | Raccord |
| 15 | 004083 | Dado | Nut | Mutter | Ecrou |
| 16 | 010015 | Rondella | Washer | Unterlegscheibe | Rondelle |
| 17 | 023115 | Tubo | Hose | Schlauch | Tuyau |
| 18 | 021051 | Pompa | Pump | Pumpe | Pompe |
| 19 | 423758 | Albero | Shaft | Welle | Arbre |
| 20 | 421611 | Coperchio | Cover | Deckel | Couvercle |
| 21 | 014308 | Vite | Screw | Schraube | Vis |
| 22 | 022120 | Raccordo | Connection | Anschluss | Raccord |
| 23 | 421770 | Staffa | Flask | Pratze | Bride |
| 24 | 021050 | Mozzo | Hub | Moyeu | Nabe |
| 25 | 021055 | Scambiatore | Exchange | Waermeaustauscher | Echangeur |
| 26 | 027001 | Cavo alimentatore | Cable feeder | Speiseleitung | Fil alimentation |
| 27 | 010023 | Rondella | Washer | Unterlegscheibe | Rondelle |
| 28 | 023089 | Tubo | Hose | Schlauch | Tuyau |
| 29 | 014284 | Vite | Screw | Schraube | Vis |
| 30 | 010014 | Rondella | Washer | Unterlegscheibe | Rondelle |
| 31 | 711532 | Supporto filtro | Support | Halterung | Support |
| 32 | 022119 | Raccordo | Connection | Anschluss | Raccord |
| 33 | 023165 | Tubo | Hose | Schlauch | Tuyau |
| 34 | 021052 | Filtro | Filter | Filer | Filtre |
| | 971612 | Kit raffreddamento | Cooling kit | Kuehlungskit | Kit de refroidissement |