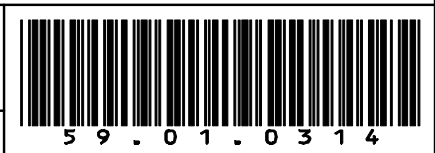


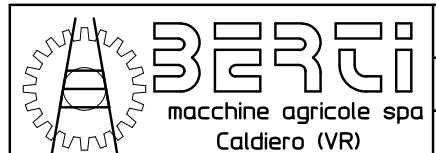
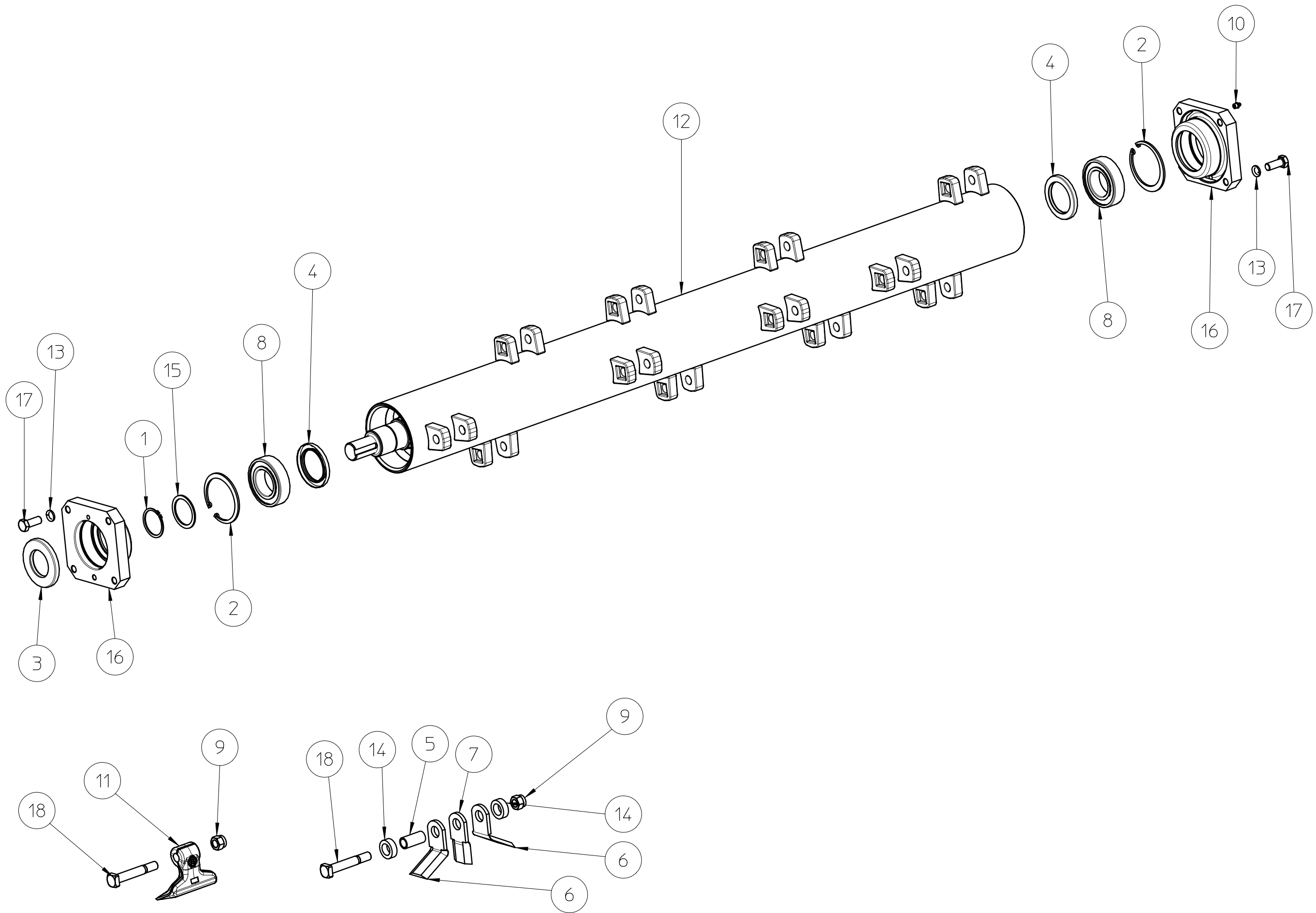
Disegnato da: Diego Data: 21/03/14 Scala: 1:12 Foglio: 1
 Descrizione: Esploso complessivo TFB/Y serie 2014

Codice: 59.01.031400 Revisione:



Le informazioni contenute nel presente documento sono di proprietà della BERTI MACCHINE AGRICOLE SPA e non possono essere riprodotte o trasmesse a terzi in alcun modo senza esplicita approvazione scritta della BERTI MACCHINE AGRICOLE SPA o di un suo rappresentante debitamente autorizzato.

Pos.	Description	TFB/Y 100	TFB/Y 120	TFB/Y 140	TFB/Y 160	TFB/Y 180	TFB/Y 200	TFB/Y 220	TFB/Y 230	TFB/Y 250
1	Rotor exploded view	59.04.0314	59.04.0314	59.04.0314	59.04.0314	59.04.0314	59.04.0314	59.04.0314	59.04.0314	59.04.0314
2	Exploded view of roll D.159 with scraper	08.05.02	08.05.02	08.05.02	08.05.02	08.05.02	08.05.02	08.05.02	08.05.02	08.05.02
	Exploded view of roll D. 194	08.05.1112	08.05.1112	08.05.1112	08.05.1112	08.05.1112	08.05.1112	08.05.1112	08.05.1112	08.05.1112
3	Exploded view of mechanical displacement	08.07.1112	08.07.1112	08.07.1112	08.07.1112	08.07.1112	08.07.1112	08.07.1112	08.07.1112	08.07.1112
	Exploded view of hydraulic system	59.12.0314	59.12.0314	59.12.0314	59.12.0314	59.12.0314	59.12.0314	59.12.0314	59.12.0314	59.12.0314
4	Exploded view of tiller	59.08.0314	59.08.0314	59.08.0314	59.08.0314	59.08.0314	59.08.0314	59.08.0314	59.08.0314	59.08.0314
5	Automatic belt adjuster	TA4/4471	TA4/4471	TA4/4471	TA4/4471	TA4/4471	TA4/4471	TA4/4471	TA4/4471	TA5/4471
	Exploded view of automatic belt adjuster	00.09.1110.0002	00.09.1110.0002	00.09.1110.0002	00.09.1110.0002	00.09.1110.0002	00.09.1110.0002	00.09.1110.0002	00.09.1110.0002	00.09.1110.0001
6	Spacer bushing	BD/4833	BD/4833	BD/4833	BD/4833	BD/4833	BD/4833	BD/4833	BD/4833	BD/4833
7	Crankcase	CA/6870	CA/6870	CA/6870	CA/6870	CA/6870	CA/6870	CA/6870	CA/6870	CA/6870
8	Locking set	CA4065	CA4065	CA4065	CA4065	CA4065	CA4065	CA4065	CA4065	CA4065
9	Belt	CAPSPB1600	CAPSPB1600	CAPSPB1600	CAPSPB1600	CAPSPB1600	CAPSPB1600	CAPSPB1600	CAPSPB1600	CAPSPB1600
10	Drilled counter-cap	CC005	CC005	CC005	CC005	CC005	CC005	CC005	CC005	CC005
11	Chassis	CC100/6864	CC120/6864	CC140/6864	CC160/6864	CC180/6864	CC200/6864	CC220/6864	CC230/6864	CC250/6864
	Chassis, central	-	-	-	CC160/7172	CC180/7172	CC200/7172	CC220/7172	CC230/7172	CC250/7172
	Chassis, Type "ROMAGNA"	-	-	-	CC160/7203	CC180/7203	CC200/7203	CC220/7203	CC230/7203	CC250/7203
	Chassis with tie rod	CC100/6890	CC120/6890	CC140/6890	CC160/6890	CC180/6890	CC200/6890	CC220/6890	CC230/6890	CC250/6890
	Central chassis with tie rod	-	-	-	CC160/7228	CC180/7228	CC200/7228	CC220/7228	CC230/7228	CC250/7228
12	Chain	CGSZ010	CGSZ010	CGSZ010	CGSZ010	CGSZ010	CGSZ010	CGSZ010	CGSZ010	CGSZ010
13	Spring split pin	CM04Z	CM04Z	CM04Z	CM04Z	CM04Z	CM04Z	CM04Z	CM04Z	CM04Z
14	Bonnet	CO100/6722	CO120/6722	CO140/6722	CO160/6722	CO180/6722	CO200/6722	CO220/6722	CO230/6722	CO250/6722
15	Self-locking nut 12	DE12AL6SPGZAB	DE12AL6SPGZAB	DE12AL6SPGZAB	DE12AL6SPGZAB	DE12AL6SPGZAB	DE12AL6SPGZAB	DE12AL6SPGZAB	DE12AL6SPGZAB	DE12AL6SPGZAB
16	Self-locking nut 14	DE14AL6SPGZAB	DE14AL6SPGZAB	DE14AL6SPGZAB	DE14AL6SPGZAB	DE14AL6SPGZAB	DE14AL6SPGZAB	DE14AL6SPGZAB	DE14AL6SPGZAB	DE14AL6SPGZAB
17	Rubber anchoring sheet	FG0960/5209	FG1160/5209	FG1360/5209	FG1560/5209	FG1760/5209	FG1960/5209	FG2160/5209	FG2260/5209	FG2460/5209
18	Flange for extension	FP/6871	FP/6871	FP/6871	FP/6871	FP/6871	FP/6871	FP/6871	FP/6871	FP/6871
19	Counter-cap reinforcing flange	FRZ/1338	FRZ/1338	FRZ/1338	FRZ/1338	FRZ/1338	FRZ/1338	FRZ/1338	FRZ/1338	FRZ/1338
20	Straight greaser	IN101XXDR	IN101XXDR	IN101XXDR	IN101XXDR	IN101XXDR	IN101XXDR	IN101XXDR	IN101XXDR	IN101XXDR
21	Rubber flap, for roll D.159	LT06130L1000	LT06130L1200	LT06130L1400	LT06130L1600	LT06130L1800	LT06130L2000	LT06130L2200	LT06130L2300	LT06130L2500
	Rubber flap, for roll D.194	LT06180L1000	LT06180L1200	LT06180L1400	LT06180L1600	LT06180L1800	LT06180L2000	LT06180L2200	LT06180L2300	LT06180L2500
	Rubber flap, for steering wheels	LT06180L1000	LT06180L1200	LT06180L1400	LT06180L1600	LT06180L1800	LT06180L2000	LT06180L2200	LT06180L2300	LT06180L2500



Disegnato da: Diego Data: 21/03/14 Scala: 1:10 Foglio: 1
 Descrizione: Esploso rotore TFB/Y

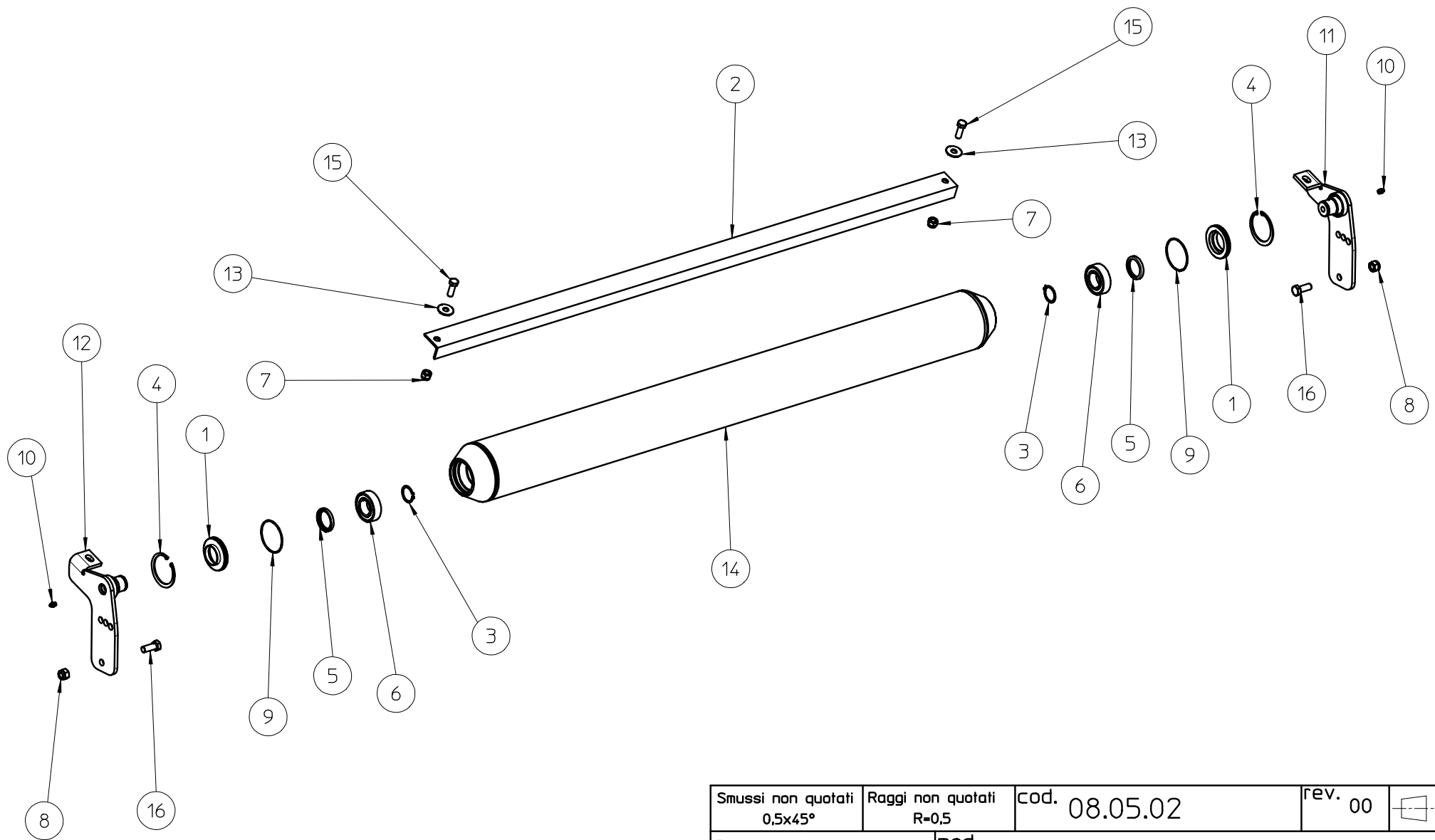
Codice: 59.04.031400 Revisione:



Rev.			
Descrizione			
Eseguita da		Data	
Approvata da		Data	
		Data	

Pos.	Description	TFB/Y 100	TFB/Y 120	TFB/Y 140	TFB/Y 160	TFB/Y 180
1	Seeger ring	ASE060	ASE060	ASE060	ASE060	ASE060
2	Seeger ring	ASI110	ASI110	ASI110	ASI110	ASI110
3	Seal ring	AT06011012	AT06011012	AT06011012	AT06011012	AT06011012
4	Seal ring	AT07010010	AT07010010	AT07010010	AT07010010	AT07010010
5	Bushing	BC/4048	BC/4048	BC/4048	BC/4048	BC/4048
6	Extended knife	C5008/1838	C5008/1838	C5008/1838	C5008/1838	C5008/1838
7	Straight knife	CD/2421	CD/2421	CD/2421	CD/2421	CD/2421
8	Bearing	COS02212C3	COS02212C3	COS02212C3	COS02212C3	COS02212C3
9	Self-locking nut 18	DE18AL6SPFZAB	DE18AL6SPFZAB	DE18AL6SPFZAB	DE18AL6SPFZAB	DE18AL6SPFZAB
10	Straight greaser	IN101XXDR	IN101XXDR	IN101XXDR	IN101XXDR	IN101XXDR
11	Hammer type "A"	MA/3922	MA/3922	MA/3922	MA/3922	MA/3922
12	Balanced rotor	RBA159C100/4051	RBA159C120/4051	RBA159C140/4051	RBA159C160/4051	RBA159C180/4051
13	Grower washer D. 16	RG16XXARN	RG16XXARN	RG16XXARN	RG16XXARN	RG16XXARN
14	Washer for knife	RO/4049	RO/4049	RO/4049	RO/4049	RO/4049
15	Shoulder washer	RS060	RS060	RS060	RS060	RS060
16	Rotor support	SR159/0026	SR159/0026	SR159/0026	SR159/0026	SR159/0026
17	Screw M16x40	V160402TF109N	V160402TF109N	V160402TF109N	V160402TF109N	V160402TF109N
18	Screw M18x1.5x116	VTQ27M18/3921	VTQ27M18/3921	VTQ27M18/3921	VTQ27M18/3921	VTQ27M18/3921

Pos.	Description	TFB/Y 200	TFB/Y 220	TFB/Y 230	TFB/Y 250
1	Seeger ring	ASE060	ASE060	ASE060	ASE060
2	Seeger ring	ASI110	ASI110	ASI110	ASI110
3	Seal ring	AT06011012	AT06011012	AT06011012	AT06011012
4	Seal ring	AT07010010	AT07010010	AT07010010	AT07010010
5	Bushing	BC/4048	BC/4048	BC/4048	BC/4048
6	Extended knife	C5008/1838	C5008/1838	C5008/1838	C5008/1838
7	Straight knife	CD/2421	CD/2421	CD/2421	CD/2421
8	Bearing	COS02212C3	COS02212C3	COS02212C3	COS02212C3
9	Self-locking nut 18	DE18AL6SPFZAB	DE18AL6SPFZAB	DE18AL6SPFZAB	DE18AL6SPFZAB
10	Straight greaser	IN101XXDR	IN101XXDR	IN101XXDR	IN101XXDR
11	Hammer type "A"	MA/3922	MA/3922	MA/3922	MA/3922
12	Balanced rotor	RBA159C200/4051	RBA159C220/4051	RBA159C230/4051	RB178M250/7147
13	Grower washer D. 16	RG16XXARN	RG16XXARN	RG16XXARN	RG16XXARN
14	Washer for knife	RO/4049	RO/4049	RO/4049	RO/4049
15	Shoulder washer	RS060	RS060	RS060	RS060
16	Rotor support	SR159/0026	SR159/0026	SR159/0026	SR159/0026
17	Screw M16x40	V160402TF109N	V160402TF109N	V160402TF109N	V160402TF109N
18	Screw M18x1.5x116	VTQ27M18/3921	VTQ27M18/3921	VTQ27M18/3921	VTQ27M18/3921



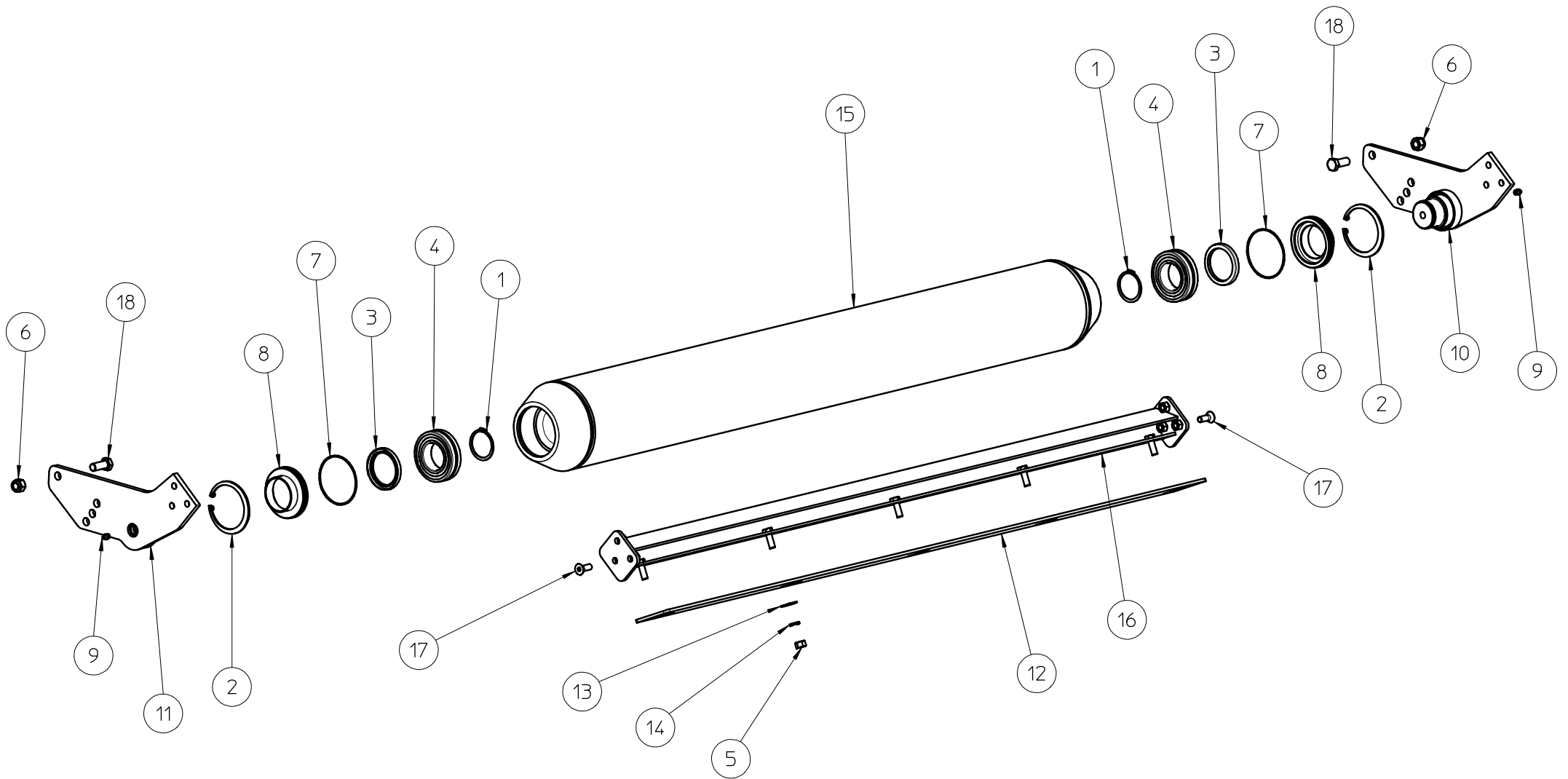
Smussi non quotati 0,5x45°	Raggi non quotati R=0,5	cod. 08.05.02	rev. 00	
Tolleranze di forma e posizione secondo UNI 7226-73 Tolleranze generali non indicate foro H13-albero h13 lineari JS13 - angolari±30'	mod. TFB/Y			
 macchine agricole spa Caldiero (VR)	mat.	des. Esploso rullo D.159 con pulirullo TFB/Y		
	data 12/10/10	dis.da Diego	app.da	

© Le informazioni contenute nel presente documento sono di proprietà della BERTI MACCHINE AGRICOLE SPA e non possono essere riprodotte o trasmesse a terzi in alcun modo senza esplicita approvazione scritta della BERTI MACCHINE AGRICOLE SPA o di un suo rappresentante debitamente autorizzato.

Roller D. 159 with scraper TFB/Y

Pos.	Description	TFB/Y 100	TFB/Y 120	TFB/Y 140	TFB/Y 160	TFB/Y 180
1	Labyrinth seal	AL159/4246	AL159/4246	AL159/4246	AL159/4246	AL159/4246
2	Scraper corner	AP159100/4031	AP159120/4031	AP159140/4031	AP159160/4031	AP159180/4031
3	Seeger ring 40	ASE040	ASE040	ASE040	ASE040	ASE040
4	Seeger ring 90	ASI090	ASI090	ASI090	ASI090	ASI090
5	Seal ring 48x62x8	AT04806208	AT04806208	AT04806208	AT04806208	AT04806208
6	Bearing 2208	COS02208	COS02208	COS02208	COS02208	COS02208
7	Self-locking nut 14	DE14AL6SPGZAB	DE14AL6SPGZAB	DE14AL6SPGZAB	DE14AL6SPGZAB	DE14AL6SPGZAB
8	Self-locking nut 16	DE16AL6SPGZAB	DE16AL6SPGZAB	DE16AL6SPGZAB	DE16AL6SPGZAB	DE16AL6SPGZAB
9	O-ring 4325	GOR4325	GOR4325	GOR4325	GOR4325	GOR4325
10	Straight greaser	IN101XXDR	IN101XXDR	IN101XXDR	IN101XXDR	IN101XXDR
11	RH plate	PDX/4250	PDX/4250	PDX/4250	PDX/4250	PDX/4250
12	LH plate	PSX/4250	PSX/4250	PSX/4250	PSX/4250	PSX/4250
13	Coated washer 14.5X42	RF1442FN	RF1442FN	RF1442FN	RF1442FN	RF1442FN
14	Welded roller D. 159	RL159100/4026	RL159120/4026	RL159140/4026	RL159160/4026	RL159180/4026
15	Screw M14x40	V140402PF109N	V140402PF109N	V140402PF109N	V140402PF109N	V140402PF109N
16	Screw M14x40	V160402TF109N	V160402TF109N	V160402TF109N	V160402TF109N	V160402TF109N

Pos.	Description	TFB/Y 200	TFB/Y 220	TFB/Y 230	TFB/Y 250
1	Labyrinth seal	AL159/4246	AL159/4246	AL159/4246	AL159/4246
2	Scraper corner	AP159200/4031	AP159220/4031	AP159230/4031	AP159250/4031
3	External seeger ring 40	ASE040	ASE040	ASE040	ASE040
4	Internal seeger ring 90	ASI090	ASI090	ASI090	ASI090
5	Seal ring 48x62x8	AT04806208	AT04806208	AT04806208	AT04806208
6	Bearing 2208	COS02208	COS02208	COS02208	COS02208
7	Self-locking nut 14	DE14AL6SPGZAB	DE14AL6SPGZAB	DE14AL6SPGZAB	DE14AL6SPGZAB
8	Self-locking nut 16	DE16AL6SPGZAB	DE16AL6SPGZAB	DE16AL6SPGZAB	DE16AL6SPGZAB
9	O-ring 4325	GOR4325	GOR4325	GOR4325	GOR4325
10	Straight greaser	IN101XXDR	IN101XXDR	IN101XXDR	IN101XXDR
11	RH plate	PDX/4250	PDX/4250	PDX/4250	PDX/4250
12	LH plate	PSX/4250	PSX/4250	PSX/4250	PSX/4250
13	Coated washer 14.5X42 U.6593 fe black	RF1442FN	RF1442FN	RF1442FN	RF1442FN
14	Welded roller D. 159	RL159200/4026	RL159220/4026	RL159230/4026	RL159250/4026
15	Screw M14x40	V140402PF109N	V140402PF109N	V140402PF109N	V140402PF109N
16	Screw M14x40	V160402TF109N	V160402TF109N	V160402TF109N	V160402TF109N

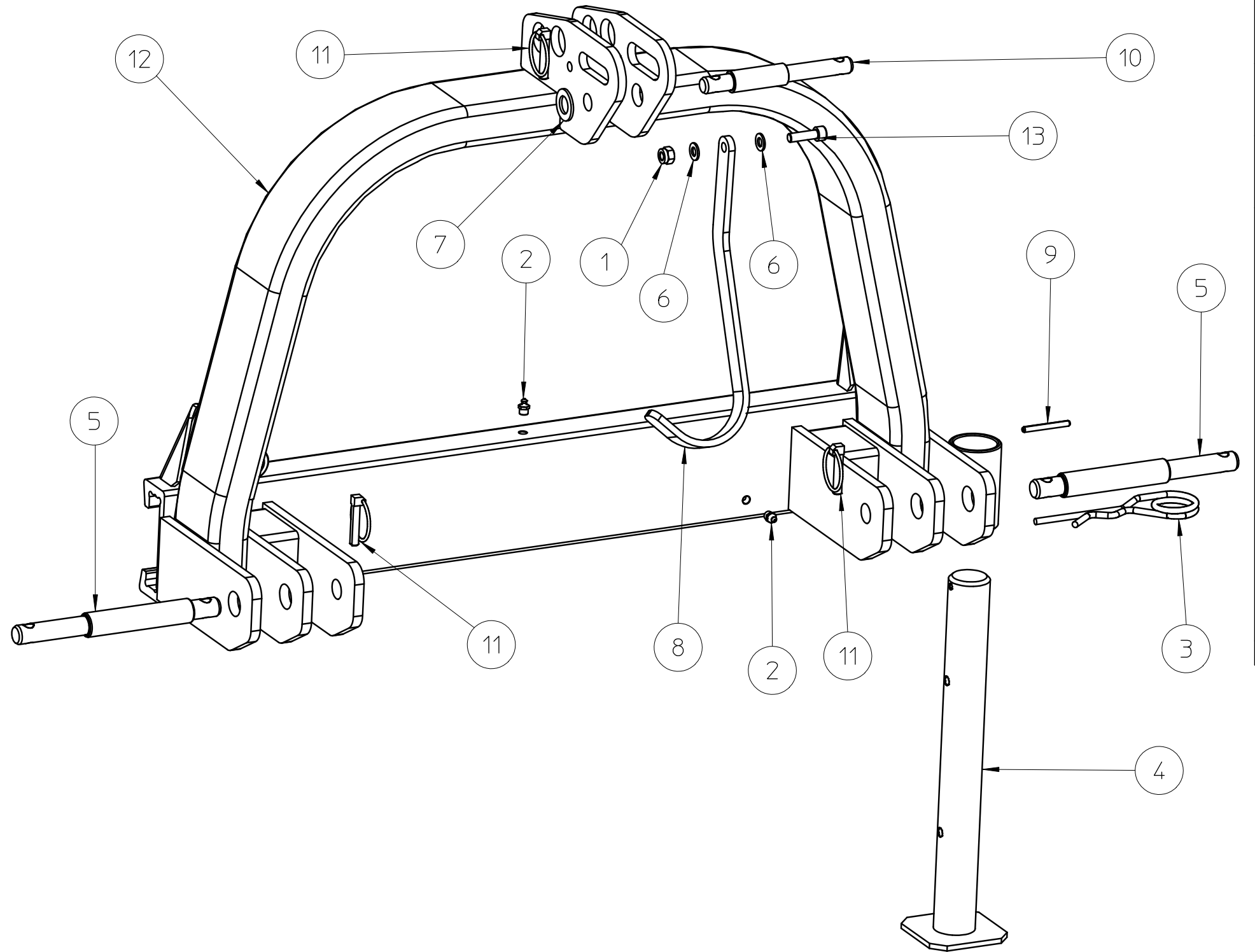
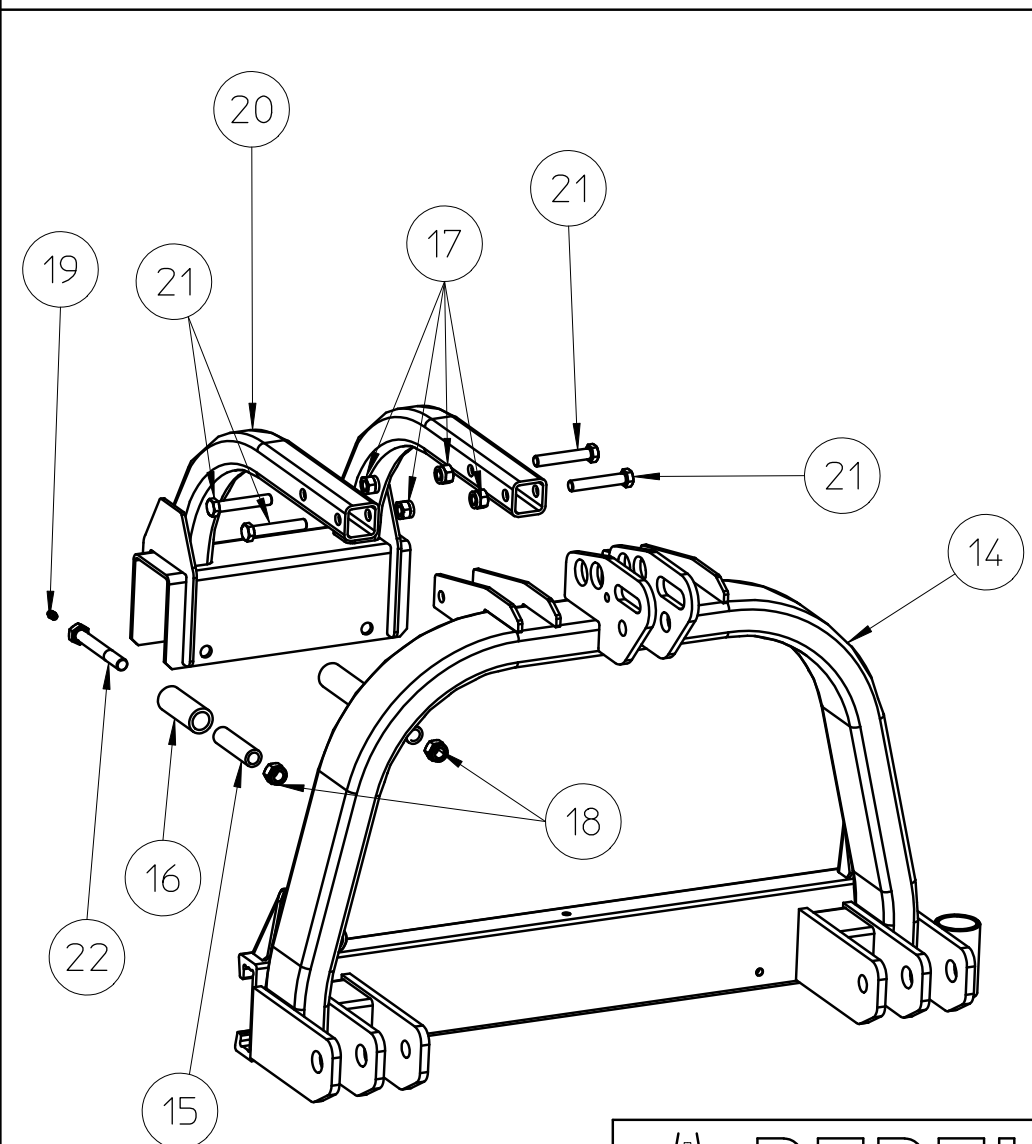


Smussi non quotati 0,5x45°	Raggi non quotati R=0,5	cod. 08.05.1112	rev. 00	
Tolleranze di forma e posizione secondo UNI 7226-73 Tolleranze generali non indicate foro H13-albero h13 lineari JS13 - angolari±30'		mod. TFB/Y		
des. Esplosore rullo D. 194 TFB/Y		mat.		
		des. Esplosore rullo D. 194 TFB/Y	data 05/11/12	dis.da Diego
macchine agricole spa Caldiero (VR)		app.da		

© Le informazioni contenute nel presente documento sono di proprietà della BERTI MACCHINE AGRICOLE SPA e non possono essere riprodotte o trasmesse a terzi in alcun modo senza esplicita approvazione scritta della BERTI MACCHINE AGRICOLE SPA o di un suo rappresentante debitamente autorizzato.

Pos.	Description	TFB/Y 100	TFB/Y 120	TFB/Y 140	TFB/Y 160	TFB/Y 180
1	Seeger ring 60	ASE060	ASE060	ASE060	ASE060	ASE060
2	Seeger ring 110	ASI110	ASI110	ASI110	ASI110	ASI110
3	Seal ring 70x90x10	AT07009010	AT07009010	AT07009010	AT07009010	AT07009010
4	Bearing 2212C3	COS02212C3	COS02212C3	COS02212C3	COS02212C3	COS02212C3
5	Nut 12	DE12AL6SPGN	DE12AL6SPGN	DE12AL6SPGN	DE12AL6SPGN	DE12AL6SPGN
6	Self-locking nut 16	DE16AL6SPGZAB	DE16AL6SPGZAB	DE16AL6SPGZAB	DE16AL6SPGZAB	DE16AL6SPGZAB
7	O-ring 4400	GOR4400	GOR4400	GOR4400	GOR4400	GOR4400
8	Oil seal cage with O-ring	GP193/4489	GP193/4489	GP193/4489	GP193/4489	GP193/4489
9	Straight greaser	IN101XXDR	IN101XXDR	IN101XXDR	IN101XXDR	IN101XXDR
10	RH plate complete with roller 194	PR193DX/4999	PR193DX/4999	PR193DX/4999	PR193DX/4999	PR193DX/4999
11	LH plate complete with roller 194	PR193SX/4999	PR193SX/4999	PR193SX/4999	PR193SX/4999	PR193SX/4999
12	Mud scraper thick. 6	RF060930	RF061180	RF061380	RF061580	RF061780
13	Coated washer 12.5X36	RF1236FN	RF1236FN	RF1236FN	RF1236FN	RF1236FN
14	Grower washer d. 12	RG12XXARN	RG12XXARN	RG12XXARN	RG12XXARN	RG12XXARN
15	Levelling roller D. 194 thick. 6	RL193100	RL193120	RL193140	RL193160	RL193180
16	Scraper support	SRTBM100	SRTBM120	SRTBM140	SRTBM160	SRTBM180
17	Screw M12X35	V120353TF109N	V120353TF109N	V120353TF109N	V120353TF109N	V120353TF109N
18	Screw M16x40	V160402TF109N	V160402TF109N	V160402TF109N	V160402TF109N	V160402TF109N

Pos.	Description	TFB/Y 200	TFB/Y 220	TFB/Y 230	TFB/Y 250
1	Seeger ring 60	ASE060	ASE060	ASE060	ASE060
2	Seeger ring 110	ASI110	ASI110	ASI110	ASI110
3	Seal ring 70x90x10	AT07009010	AT07009010	AT07009010	AT07009010
4	Bearing 2212C3	COS02212C3	COS02212C3	COS02212C3	COS02212C3
5	Nut 12	DE12AL6SPGN	DE12AL6SPGN	DE12AL6SPGN	DE12AL6SPGN
6	Self locking nut 16	DE16AL6SPGZAB	DE16AL6SPGZAB	DE16AL6SPGZAB	DE16AL6SPGZAB
7	O-ring 4400	GOR4400	GOR4400	GOR4400	GOR4400
8	Oil seal cage with O-ring	GP193/4489	GP193/4489	GP193/4489	GP193/4489
9	Straight greaser	IN101XXDR	IN101XXDR	IN101XXDR	IN101XXDR
10	RH plate complete with roller 194	PR193DX/4999	PR193DX/4999	PR193DX/4999	PR193DX/4999
11	LH plate complete with roller 194	PR193SX/4999	PR193SX/4999	PR193SX/4999	PR193SX/4999
12	Mud scraper thick. 6	RF061980	RF062180	RF062180	RF062480
13	Coated washer 12.5X36 s	RF1236FN	RF1236FN	RF1236FN	RF1236FN
14	Grower washer d. 12s	RG12XXARN	RG12XXARN	RG12XXARN	RG12XXARN
15	Levelling roller D. 194 thick. 6	RL193200	RL193220	RL193230	RL193250
16	Scraper support	SRTBM200	SRTBM220	SRTSB230	SRTBM250
17	Screw M12X35	V120353TF109N	V120353TF109N	V120353TF109N	V120353TF109N
18	Screw M16x40	V160402TF109N	V160402TF109N	V160402TF109N	V160402TF109N

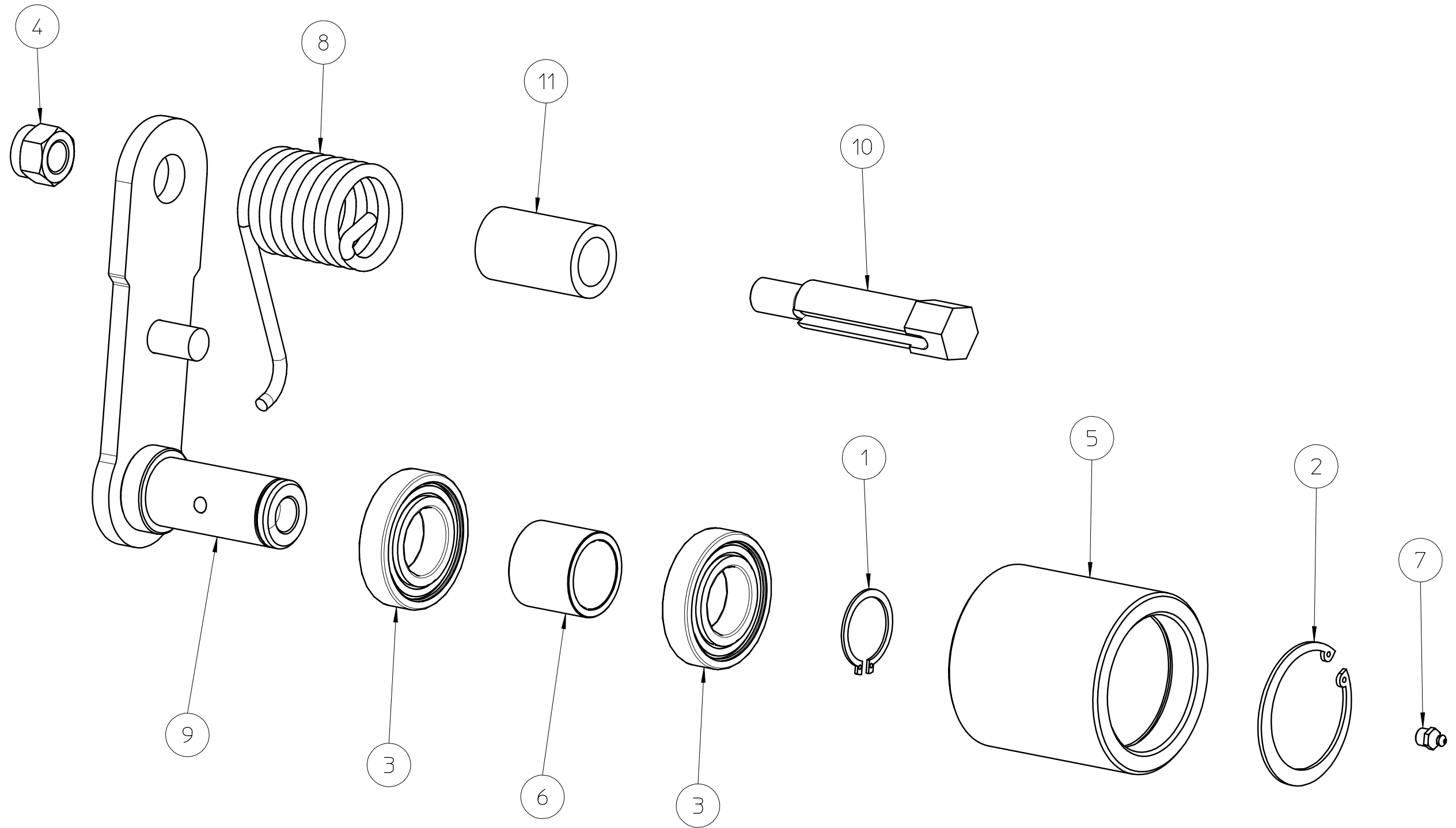


3-point linkage TFB/Y series 2014

Pos.	Description	TFB/Y 100-120	TFB/Y 140	TFB/Y 160	TFB/Y 180-200	TFB/Y 220-230-250
1	Self-locking nut 10	DE10AL6SPGZAB	DE10AL6SPGZAB	DE10AL6SPGZAB	DE10AL6SPGZAB	DE10AL6SPGZAB
2	Straight greaser	IN101XXDR	IN101XXDR	IN101XXDR	IN101XXDR	IN101XXDR
3	Foot support spring	MF070550205Z	MF070550205Z	MF070550205Z	MF070550205Z	MF070550205Z
4	Support foot	PA48440	PA48440	PA48440	PA48440	PA48440
5	Pin	PL2228/3676	PL2228/3676	PL2228/3676	PL2228/3676	PL2228/3676
6	Flat washer D.10	RP10XXFZ	RP10XXFZ	RP10XXFZ	RP10XXFZ	RP10XXFZ
7	Flat washer D.20	RP20XXFZ	RP20XXFZ	RP20XXFZ	RP20XXFZ	RP20XXFZ
8	Cardan shaft support bracket	SC/0352	SC/0352	SC/0352	SC/0352	SC/0352
9	Flexible pin	SE06060	SE06060	SE06060	SE06060	SE06060
10	3rd point pin	SP25190Z	SP25190Z	SP25190Z	SP25190Z	SP25190Z
11	Snap-in pin	SSX10Z	SSX10Z	SSX10Z	SSX10Z	SSX10Z
12	Complete 3-point linkage	TC0680/7175	TC/6875	TC/6875	TC/6875	TC/7159
	Linkage, version ROMAGNA	/	/	TC0890/1664	TC0890/1664	TC0890/1664
13	Screw M10x35	V100351TF088Z	V100351TF088Z	V100351TF088Z	V100351TF088Z	V100351TF088Z

WITH TIE ROD:

Pos.	Description	TFB/Y 100-120	TFB/Y 140	TFB/Y 160	TFB/Y 180-200	TFB/Y 220-230-250
14	3-point linkage with tie rod	160100013	160100014	160100014	160100014	160100015
	3-point linkage with tie rod ROMAGNA	/	/	160100009	160100009	160100009
15	Lower cylinder	CI/3096	CI/3096	CI/3096	CI/3096	CI/3096
16	Upper cylinder	CS/3097	CS/3097	CS/3097	CS/3097	CS/3097
17	Self-locking nut 14	DE14AL6SPGZAB	DE14AL6SPGZAB	DE14AL6SPGZAB	DE14AL6SPGZAB	DE14AL6SPGZAB
18	Self-locking nut 16	DE16AL6SPGZAB	DE16AL6SPGZAB	DE16AL6SPGZAB	DE16AL6SPGZAB	DE16AL6SPGZAB
19	Straight greaser	IN08125DR	IN08125DR	IN08125DR	IN08125DR	IN08125DR
20	Tie rod	TT/7340	TT/7338	TT/7338	TT/7338	TT/7338
	Tie rod ROMAGNA	/	/	TT/7339	TT/7339	TT/7339
21	Screw M14x80	V140802TF088N	V140802TF088N	V140802TF088N	V140802TF088N	V140802TF088N
22	Screw for linkage	VT/3407	VT/3407	VT/3407	VT/3407	VT/3407

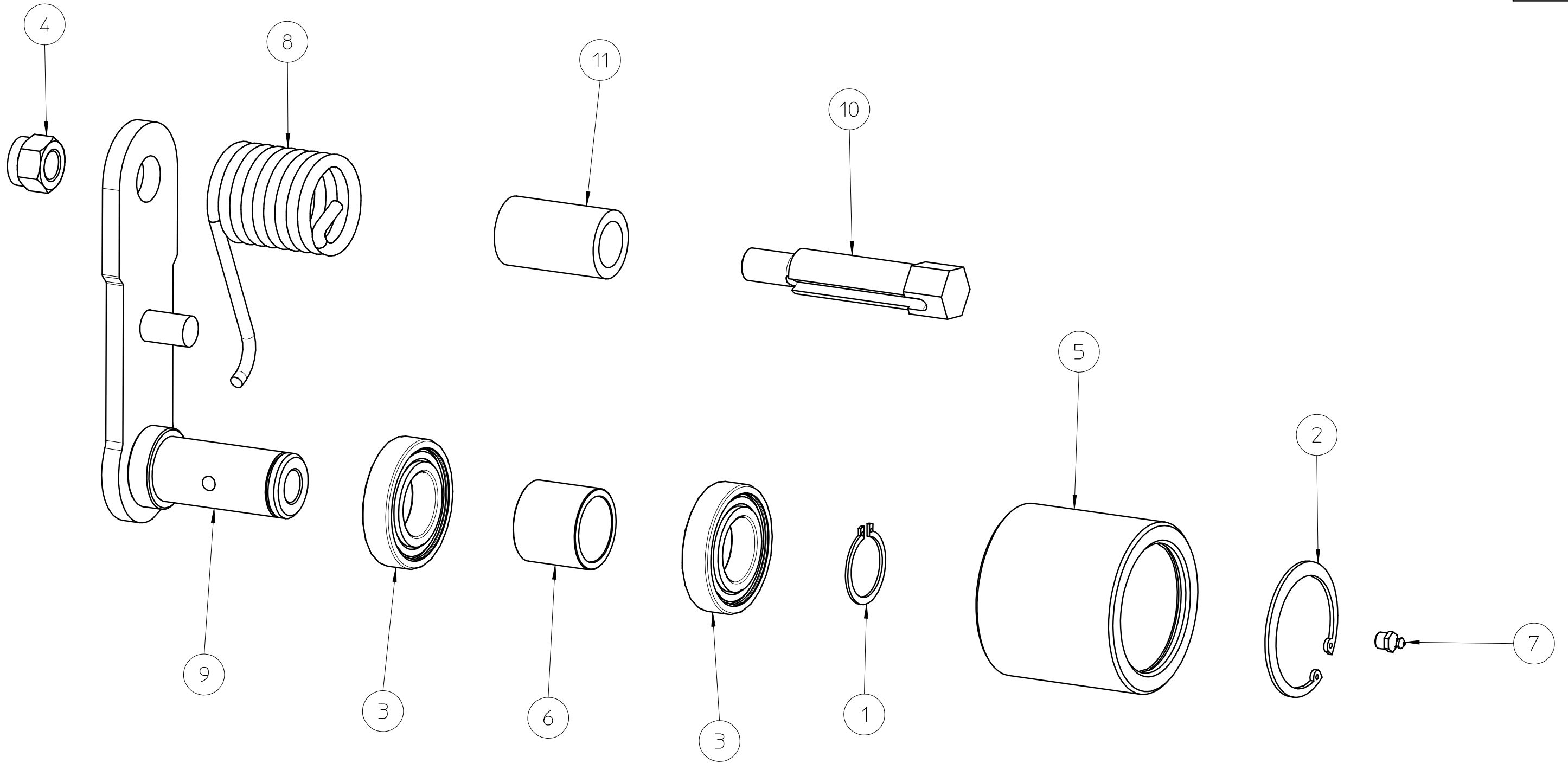


 macchine agricole spa Caldiero (VR)		mod. Vari mat.	 00.09.1110.0001
Per le tolleranza non indicate a disegno rifarsi alla UNI EN 22768-1/2 mK Per le tolleranza accoppiamento albero foro: albero h13 foro H13		Smussi non quotati 0.5x45° Trat. Termico	Raggi non quotati R=0.5 Trat. Superficiale
des. Esploso tenditore automatico 5 cinghie			Peso
data 12/11/10	dis. Diego	cod. 00.09.1110.0001	rev. 01
© Le informazioni contenute nel presente documento sono di proprietà della BERTI MACCHINE AGRICOLE SPA e non possono essere riprodotte o trasmesse a terzi in alcun modo senza esplicita approvazione scritta della BERTI MACCHINE AGRICOLE SPA o di un suo rappresentante debitamente autorizzato.			

01	Sostituiti dadi M20	12/06/13
----	---------------------	----------

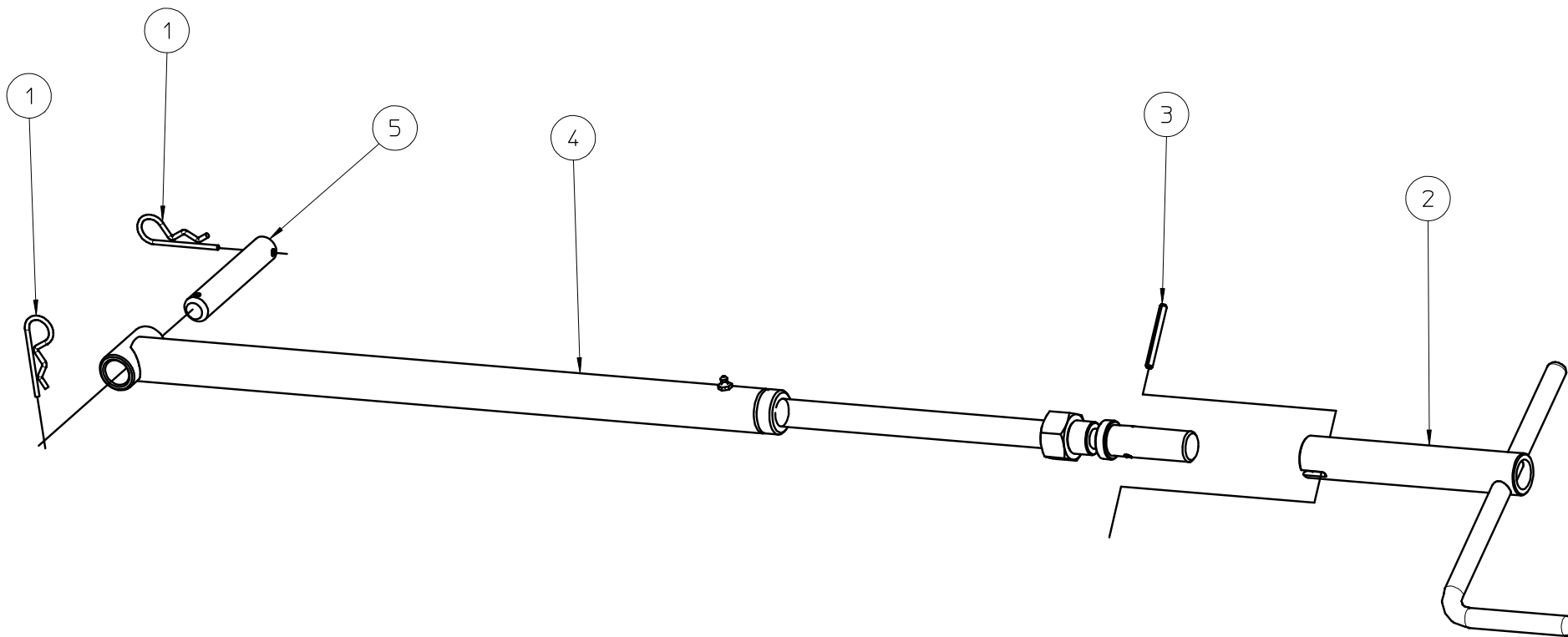
Automatic 5 belt adjuster

Pos.	Description	Code
1	Seeger ring 40	ASE040
2	Seeger ring 80	ASI080
3	Bearing	CRS062081RS
4	Self locking nut 20	DE2015AL6SPFZABSX
5	Hose for autom. belt adjuster with 5 belts	TT5/4478
6	Spacer for belt adjuster	DT/2516
7	Straight greaser	IN101XXDR
8	Spring	MO/4456
9	Complete plate for 5 belt adjuster	PC/4474
10	Pin M20X1.5SX 5 belt adjuster	PT/4473
11	Hose on 5 belt adjuster plate	TR/4476



 macchine agricole spa Caldiero (VR)			mod. Vari mat.	 00.09.1110.0002	
Per le tolleranza non indicate a disegno rifarsi alla UNI EN 22768-1/2 mK Per le tolleranza accoppiamento albero foro: albero h13 foro H13		Smussi non quotati 0.5x45°	Raggi non quotati R=0.5	Trat. Termico	Trat. Superficiale
des. Esploso tenditore automatico 4 cinghie				Peso	
data 23/11/10	dis. Diego	cod. 00.09.1110.0002	rev. 01		
01	Sostituiti dadi M20	12/06/13	© Le informazioni contenute nel presente documento sono di proprietà della BERTI MACCHINE AGRICOLE SPA e non possono essere riprodotte o trasmesse a terzi in alcun modo senza esplicita approvazione scritta della BERTI MACCHINE AGRICOLE SPA o di un suo rappresentante debitamente autorizzato.		

Pos.	Name	Code
1	Seeger ring 40	ASE040
2	Seeger ring 80	ASI080
3	Bearing	CRS062081RS
4	Self locking nut 20	DE2015AL6SPFZABSX
5	Hose for belt adjuster	TT/2514
6	Spacer for belt adjuster	DT/2516
7	Straight greaser	IN101XXDR
8	Spring	MO/4456
9	Plate for 4 belt adjuster	PC/4474
10	Pin M20X1.5 belt adjuster	PT/4473
11	Hose on 4 belt adjuster plate	TR/4476



Smussi non quotati 0,5x45°	Raggi non quotati R=0,5	cod. 08.07.1112	rev. 00	
Tolleranze di forma e posizione secondo UNI 7226-73 Tolleranze generali non indicate foro H13-albero h13 lineari JS13 - angolari±30'	mod. TFB/Y			
 macchine agricole spa Caldiero (VR)	mat.	des. Esploso spostamento meccanico TFB/Y		
	data 05/11/12	dis.da Diego	app.da	

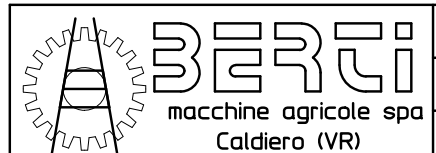
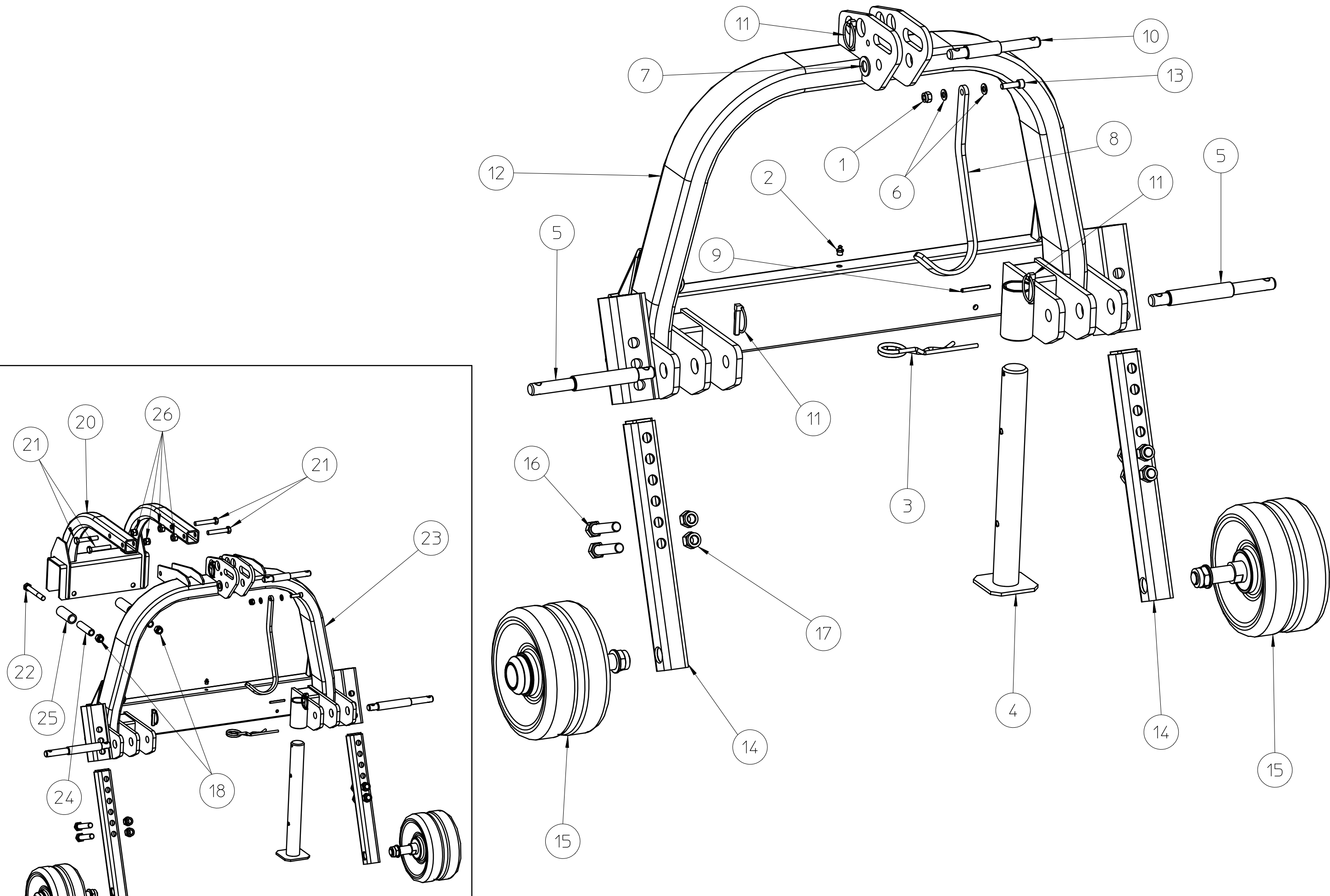
© Le informazioni contenute nel presente documento sono di proprietà della BERTI MACCHINE AGRICOLE SPA e non possono essere riprodotte o trasmesse a terzi in alcun modo senza esplicita approvazione scritta della BERTI MACCHINE AGRICOLE SPA o di un suo rappresentante debitamente autorizzato.

Mechanical side shift TFB/Y

Pos.	Description	TFB/Y 100	TFB/Y 120	TFB/Y 140	TFB/Y 160	TFB/Y 180
1	Spring split pin d. 4	CM04Z	CM04Z	CM04Z	CM04Z	CM04Z
2	Mechanical side shift handle	MSZ220/0259	MSZ220/0259	MSZ220/0259	MSZ220/0259	MSZ220/0259
3	Flexible pin D. 6X60	SE06060	SE06060	SE06060	SE06060	SE06060
4	Complete mechanical side shift	SM570/3893	SM570/3893	SM700/3893	SM700/3893	SM700/3893
5	Pin for side shift anchoring to linkage	SS/0430	SS/0430	SS/0430	SS/0430	SS/0430

Pos.	Description	TFB/Y 200	TFB/Y 220	TFB/Y 230	TFB/Y 250
1	Spring split pin d. 4	CM04Z	CM04Z	CM04Z	CM04Z
2	Mechanical side shift handle	MSZ220/0259	MSZ220/0259	MSZ220/0259	MSZ220/0259
3	Flexible pin D. 6X60	SE06060	SE06060	SE06060	SE06060
4	Complete mechanical side shift	SM700/3893	SM815/3893	SM815/3893	SM815/3893
5	Pin for side shift anchoring to linkage	SS/0430	SS/0430	SS/0430	SS/0430

Rev.			
Descrizione			
Eseguita da			
Data			
Approvata da			
Data			



Disegnato da: Diego Data: 21/03/14 Scala: 1:5 Foglio: 1

Descrizione: Esploso ruote anteriori TFB/Y 2014

Codice: 59.00.031400 Revisione:



Le informazioni contenute nel presente documento sono di proprietà della BERTI MACCHINE AGRICOLE SPA e non possono essere riprodotte o trasmesse a terzi in alcun modo senza esplicita approvazione scritta della BERTI MACCHINE AGRICOLE SPA o di un suo rappresentante debitamente autorizzato.

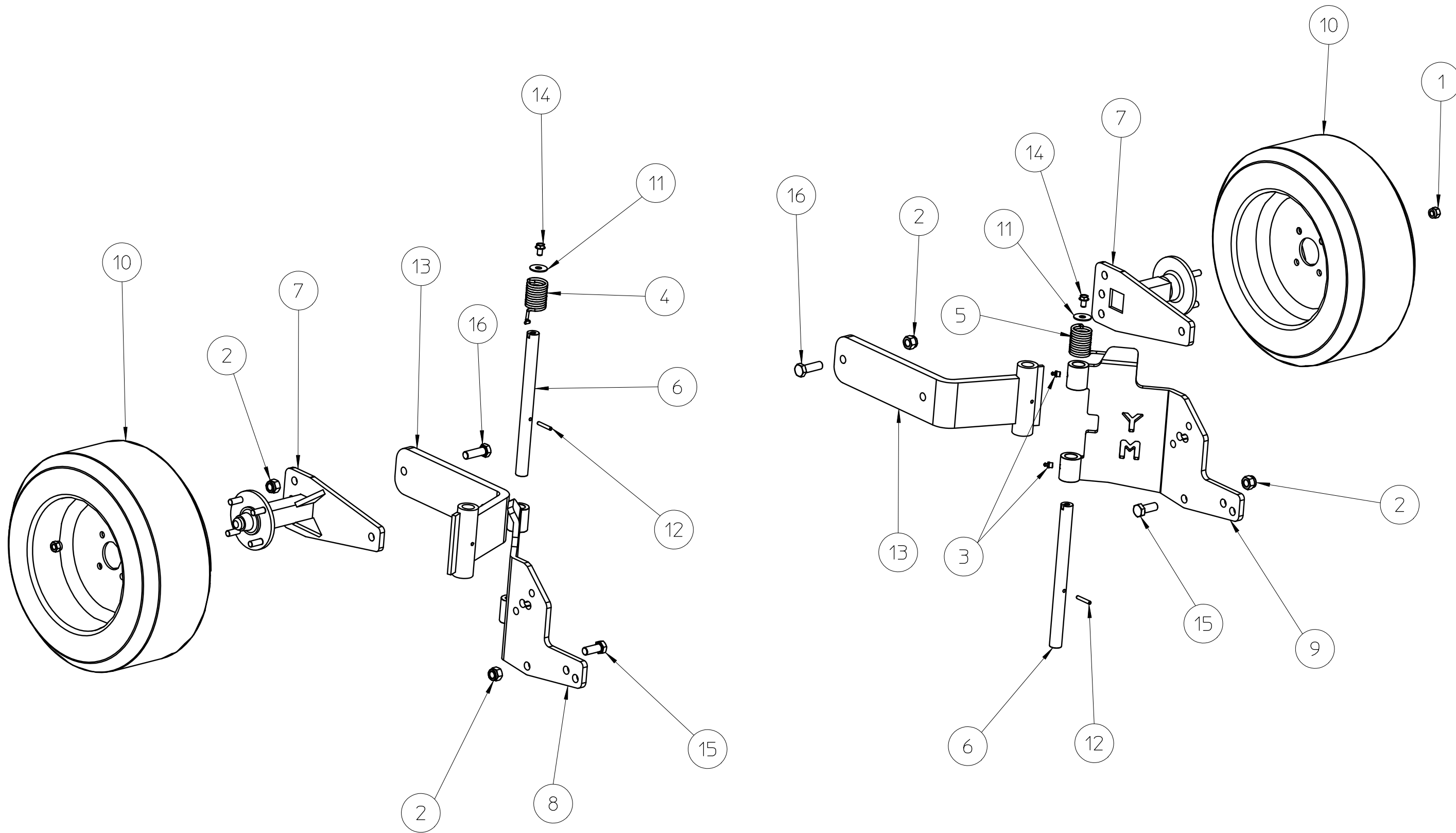
Front wheels TFB/Y series 2014

Pos.	Description	TFB/Y 100-120	TFB/Y 140	TFB/Y 160	TFB/Y 180-200	TFB/Y 220-230-250
1	Self-locking nut 10	DE10AL6SPGZAB	DE10AL6SPGZAB	DE10AL6SPGZAB	DE10AL6SPGZAB	DE10AL6SPGZAB
2	Straight greaser	IN101XXDR	IN101XXDR	IN101XXDR	IN101XXDR	IN101XXDR
3	Foot support spring	MF070550205Z	MF070550205Z	MF070550205Z	MF070550205Z	MF070550205Z
4	Support foot	PA48440	PA48440	PA48440	PA48440	PA48440
5	Pin	PL2228/3676	PL2228/3676	PL2228/3676	PL2228/3676	PL2228/3676
6	Flat washer D.10	RP10XXFZ	RP10XXFZ	RP10XXFZ	RP10XXFZ	RP10XXFZ
7	Flat washer D.20	RP20XXFZ	RP20XXFZ	RP20XXFZ	RP20XXFZ	RP20XXFZ
8	Cardan shaft support bracket	SC/0352	SC/0352	SC/0352	SC/0352	SC/0352
9	Flexible pin	SE06060	SE06060	SE06060	SE06060	SE06060
10	3rd point pin	SP25190Z	SP25190Z	SP25190Z	SP25190Z	SP25190Z
11	Snap-in pin	SSX10Z	SSX10Z	SSX10Z	SSX10Z	SSX10Z
12	Complete 3-point linkage	TC0680/7175	TC/6875	TC/6875	TC/6875	TC/7159
	Linkage, version ROMAGNA	/	/	TC0890/1664	TC0890/1664	TC0890/1664
13	Screw M10x35	V100351TF088Z	V100351TF088Z	V100351TF088Z	V100351TF088Z	V100351TF088Z
14	Wheel holder	TP/7229	TP/7229	TP/7229	TP/7229	TP/7229
15	Iron wheels	RS25013505C	RS25013505C	RS25013505C	RS25013505C	RS25013505C
16	Screw M18x90	V180902TF088N	V180902TF088N	V180902TF088N	V180902TF088N	V180902TF088N
17	Self-locking nut 18	DE18AL6SPGZAB	DE18AL6SPGZAB	DE18AL6SPGZAB	DE18AL6SPGZAB	DE18AL6SPGZAB

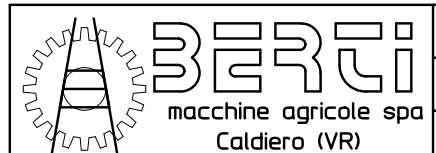
Front wheels TFB/Y series 2014

WITH TIE ROD:

Pos.	Description	TFB/Y 100-120	TFB/Y 140	TFB/Y 160	TFB/Y 180-200	TFB/Y 220-230-250
18	Self-locking nut 16	DE16AL6SPGZAB	DE16AL6SPGZAB	DE16AL6SPGZAB	DE16AL6SPGZAB	DE16AL6SPGZAB
19	Straight greaser	IN08125DR	IN08125DR	IN08125DR	IN08125DR	IN08125DR
20	Tie rod	TT/7340	TT/7338	TT/7338	TT/7338	TT/7338
	Tie rod ROMAGNA	/	/	TT/7339	TT/7339	TT/7339
21	Screw M14x80	V140802TF088N	V140802TF088N	V140802TF088N	V140802TF088N	V140802TF088N
22	Screw for linkage	VT/3407	VT/3407	VT/3407	VT/3407	VT/3407
23	Linkage with wheels	TC/7320	TC/6886	TC/6886	TC/6886	TC/7319
	Linkage with tie rod and wheels	160100017	160100018	160100018	160100018	160100019
	Linkage version ROMAGNA with tie rod and wheels	/	/	160100009	160100009	160100009
24	Lower cylinder	CI/3096	CI/3096	CI/3096	CI/3096	CI/3096
25	Upper cylinder	CS/3097	CS/3097	CS/3097	CS/3097	CS/3097
26	Self-locking nut 14	DE14AL6SPGZAB	DE14AL6SPGZAB	DE14AL6SPGZAB	DE14AL6SPGZAB	DE14AL6SPGZAB



Rev.	Descrizione	Eseguita da	Data	Approvata da	Data



Disegnato da: Diego Data: 21/03/14 Scala: 1:10 Foglio: 1
 Descrizione: Esploso ruote sterzanti TFB/Y serie 2014

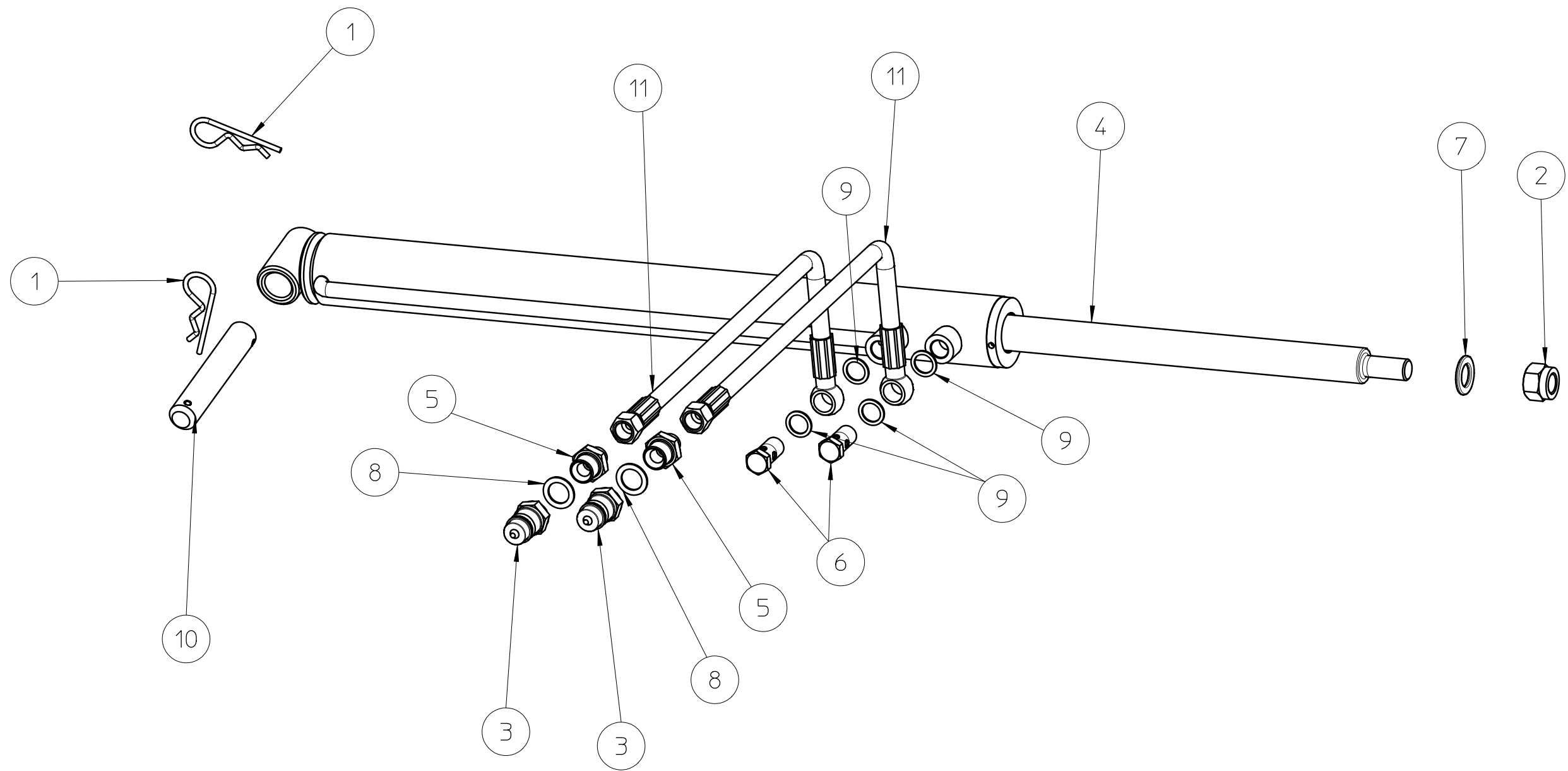
Codice: 59.10.031400 Revisione:



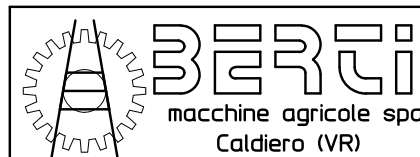
Le informazioni contenute nel presente documento sono di proprietà della BERTI MACCHINE AGRICOLE SPA e non possono essere riprodotte o trasmesse a terzi in alcun modo senza esplicita approvazione scritta della BERTI MACCHINE AGRICOLE SPA o di un suo rappresentante debitamente autorizzato.

Steering wheels TFB/Y series 2014

Pos.	Description	TFB/Y 100-120-140-160-180-200-220-230-250
1	Self-locking nut 12	DE12AL6SPGZAB
2	Self-locking nut 16	DE16AL6SPGZAB
3	Straight greaser	IN101XXDR
4	RH spring	MD/2759
5	LH spring	MS/2760
6	Steering wheel pivot	PE/2583
7	Plate with steering wheel hub	PM/2580
8	RH welded plate	PSDX/7069
9	LH welded plate	PSSX/7069
10	Wheel	R460190
11	Coated washer	RF1236FN
12	Flexible pin	SE06040
13	Steering wheel support	SR/2578
14	Screw M10x16	V1001602TF109Z
15	Screw M16x40	V160402TF088N
16	Screw M16x50	V160502TF088N



Rev.	Descrizione	Eseguita da	Data	Approvata da	Data



Disegnato da: Diego
 Data: 21/03/14
 Scala: 1:4
 Foglio: 1
 Descrizione: Esploso oleodinamica TFB/Y 2014

Codice: 59.12.031400

Revisione:



Le informazioni contenute nel presente documento sono di proprietà della BERTI MACCHINE AGRICOLE SPA e non possono essere riprodotte o trasmesse a terzi in alcun modo senza esplicita approvazione scritta della BERTI MACCHINE AGRICOLE SPA o di un suo rappresentante debitamente autorizzato.

