

FARMGARD
ROBUST MACHINERY THAT WORKS

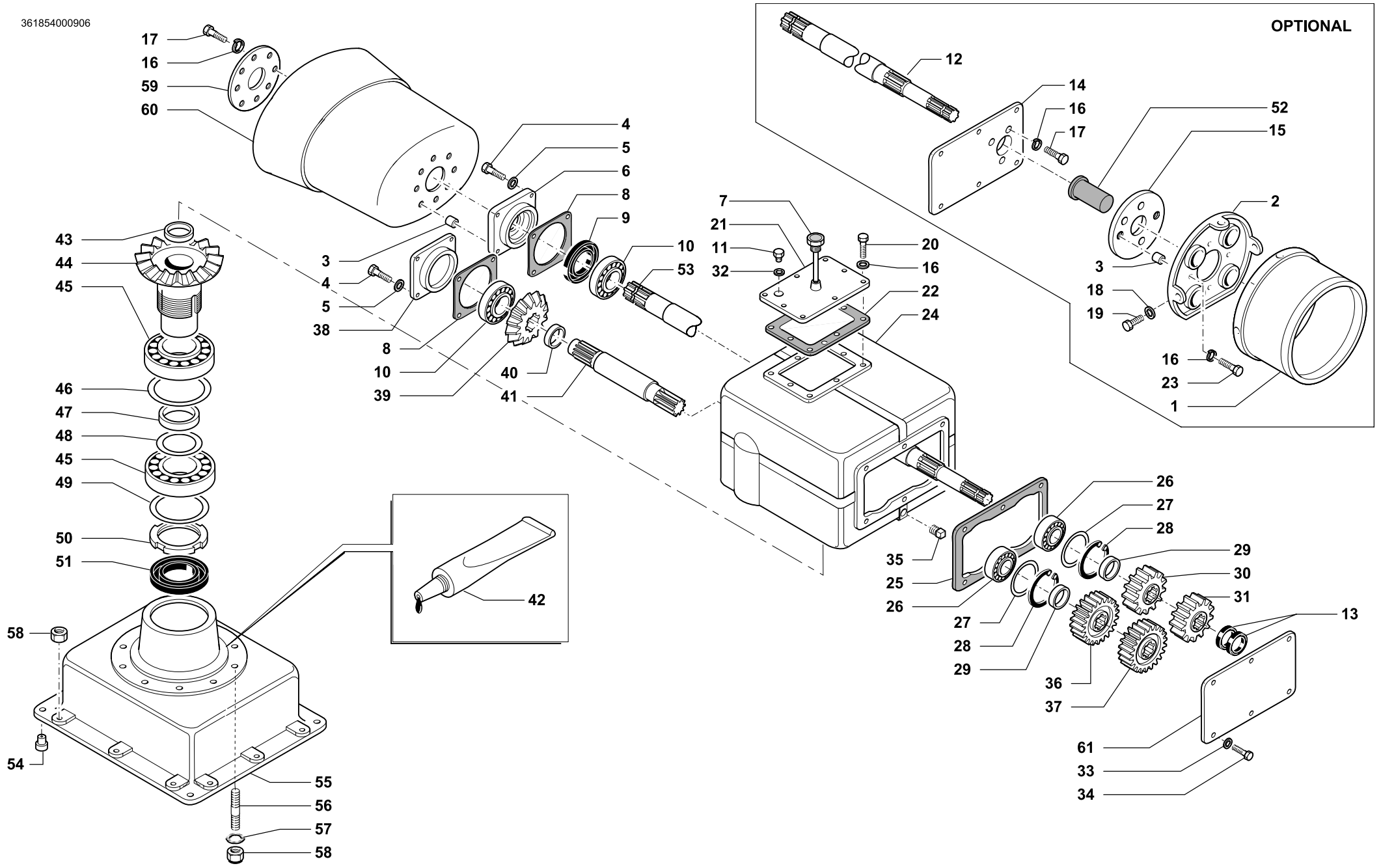


ENERGY 2006 SERIES

CELLI SPARE PARTS REFERENCE GUIDE

POWER HARROW





SCATOLA CAMBIO • GEARBOX
 GETRIEBEGEHAUSE • BÔTE DE TRANSMISSION

Tav. Tab. Taf.	361854	Rev.	00 0906
----------------------	---------------	------	----------------



SCATOLA CAMBIO • GEARBOX
GETRIEBEGEHAUSE • BÔTE DE TRANSMISSION

Tav.
Tab.
Taf.

361854

Rev.

00 0906

RIF.	N. CODICE	DENOMINAZIONE	DENOMINATION	BEZEICHNUNG	DENOMINATION	
1	124505	Cuffia	Guard	Schütz	Protection	
2	161500	Supporto	Support	Halterung	Support	
3	323644	Distanziale	Spacer	Distanzstueck	Entretoise	
4	014145	Vite	Screw	Schraube	Vis	
5	011003	Grower	Grower	Federscheibe	Grower	
6	421606	Coperchio per P.D.F anteriore	Cover	Deckel	Couvercle	
7	022068	Tappo	Plug	Verschluss	Bouchon	
8	424600	Guarnizione	Gasket	Dichtring	Joint	
9	007152	Paraolio	Oil seal	Simmerring	Joint d' huile	
10	003044S	Cuscinetto	Bearing	Kugellager	Roulement	
11	022153	Tappo 3/8 gas	Plug	Verschluss	Bouchon	
12	423788	Albero 1"3/4Z20 P.D.F posteriore	Shaft	Welle	Arbre	
13	007160	Paraolio	Oil seal	Simmerring	Joint d' huile	
14	421605	Coperchio per P.D.F posteriore	Cover	Deckel	Couvercle	
300/400	621605	Coperchio per P.D.F posteriore	Cover	Deckel	Couvercle	
15	661408	Piastra per P.D.F posteriore	Plate	Plate	Platte	
16	011002	Grower	Grower	Federscheibe	Grower	
17	014278	Vite	Screw	Schraube	Vis	
18	010023	Rondella	Washer	Scheibe	Rondelle	
19	014284	Vite	Screw	Schraube	Vis	
20	014227	Vite	Screw	Schraube	Vis	
21	461073	Coperchio	Cover	Deckel	Couvercle	
22	424601	Guarnizione	Gasket	Dichtring	Joint	
23	014149	Vite	Screw	Schraube	Vis	
250/350	24	621600	Scatola rotazione destra	Gehäuse	Bôte	
300/400	621604	Scatola rotazione sinistra	Housing	Gehäuse	Bôte	
25	424602	Guarnizione	Gasket	Dichtring	Joint	
26	003112S	Cuscinetto	Bearing	Kugellager	Roulement	
27	111504	Serie spessori	Set spacers	Beilagscheiben	Serie d'épaisseur	
28	001033	Anello di arresto	Stop ring	Sperring	Bague d'arre	
29	423715	Distanziale	Spacer	Distanzstueck	Entretoise	
540G/M	30	422600	Ingranaggio Z=18	Zahnrad 18 Z	Engrenage 18 Dents	
1000G/M	422606	Ingranaggio Z=14	Gear 14 T	Zahnrad 14 Z	Engrenage 14 Dents	
540G/M	31	422601	Ingranaggio Z=19	Gear 19 T	Zahnrad 19 Z	Engrenage 19 Dents
1000G/M	422607	Ingranaggio Z=15	Gear 15 T	Zahnrad 15 Z	Engrenage 15 Dents	



SCATOLA CAMBIO • GEARBOX
GETRIEBEGEHAUSE • BÖITE DE TRANSMISSION

Tav.
Tab.
Taf.

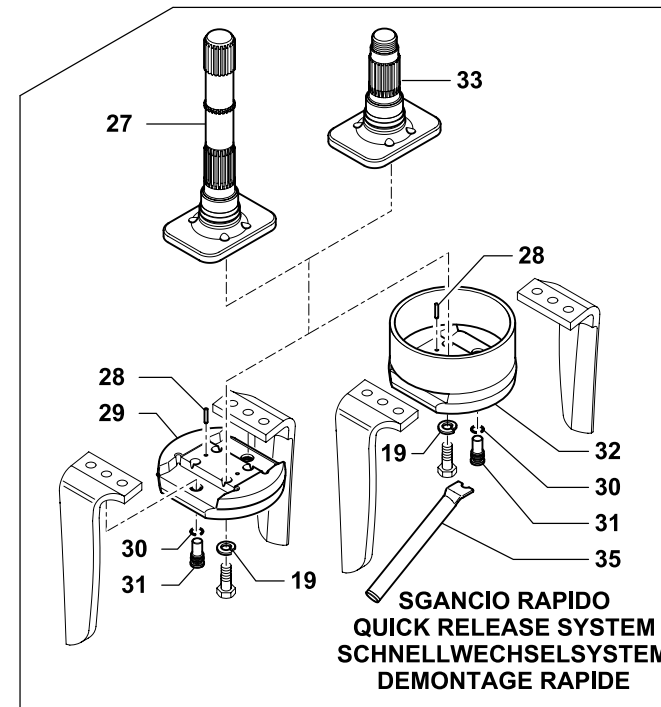
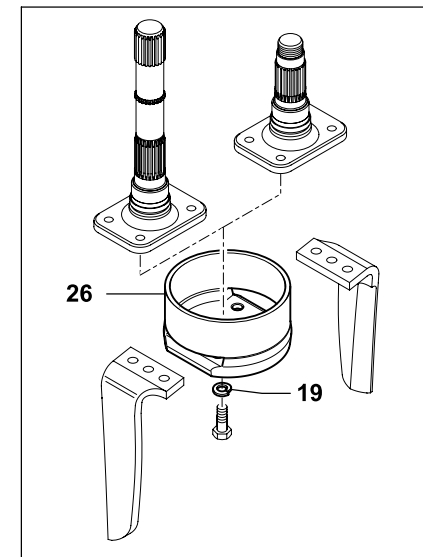
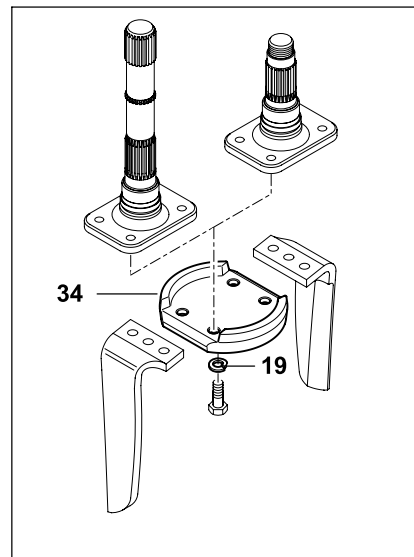
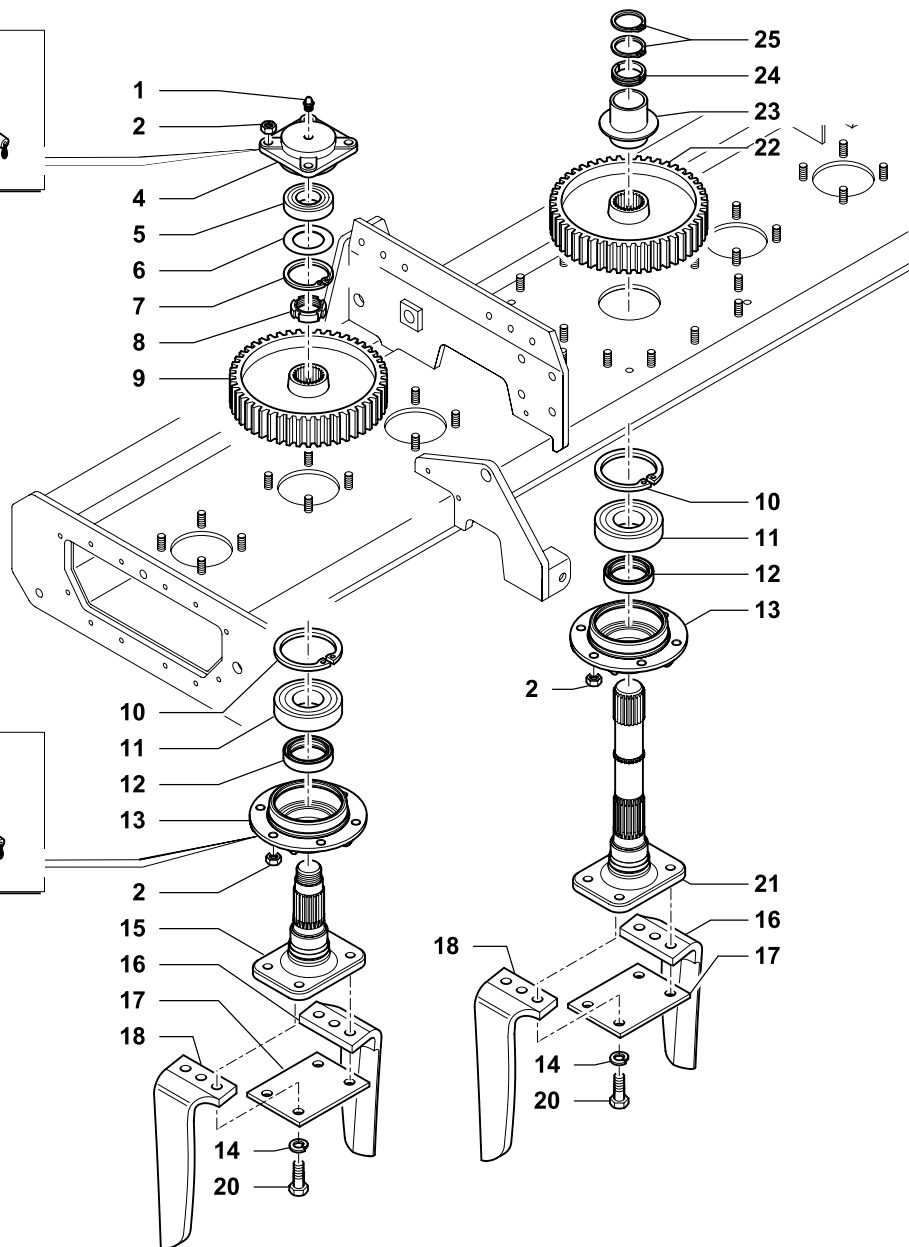
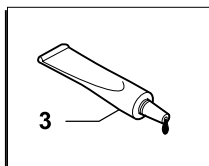
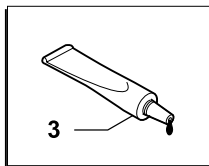
361854

Rev.

00 0906

RIF.	N. CODICE	DENOMINAZIONE	DENOMINATION	BEZEICHNUNG	DENOMINATION	
32	022086	Rondella	Washer	Unterlegscheibe	Rondelle	
33	011012	Grower	Grower	Federscheibe	Grower	
34	014205	Vite	Screw	Schraube	Vis	
35	022009	Tappo	Plug	Verschluss	Bouchon	
540G/M	36	422603	Ingranaggio Z=21	Gear 21 T	Zahnrad 21 Z	Engrenage 21 Dents
1000G/M		422613	Ingranaggio Z=25	Gear 25 T	Zahnrad 25 Z	Engrenage 25 Dents
540G/M	37	422602	Ingranaggio Z=20	Gear 20 T	Zahnrad 20 Z	Engrenage 20 Dents
1000G/M		422612	Ingranaggio Z=24	Gear 24 T	Zahnrad 24 Z	Engrenage 24 Dents
38	421602	Coperchio anteriore	Cover	Deckel	Couvercle	
39	422615	Pignone conico	Bevel pinion	Kegelrad	Pignon conique	
40	423537	Distanziale	Spacer	Distanzstueck	Entretoise	
41	423711	Albero porta pignone	Shaft	Welle	Arbre	
42	094002	Sigillante	Glue	Klebstoff	Colle	
43	611600	Tappo	Plug	Verschluss	Bouchon	
44	622600	Corona Z=26 (spedire con tappo)	Crownwheel	Zahnkranz	Couronne	
45	003132S	Cuscinetto	Bearing	Kugellager	Roulement	
46	623633	Anello	Ring	Ring	Bague	
47	623601	Anello	Ring	Ring	Bague	
48	611601	Serie spessori	Set spacers	Beilagscheiben	Serie d'épaisseur	
49	611605	Spessore	Shim	Distanzring	Epaisseur	
50	005015	Ghiera	Ring nut	Nutmutter	Collier	
51	007040	Paraolio	Oil seal	Simmerring	Joint d'huile	
52	099041	Protezione (P.D.F posteriore)	Protection	Schutz	Protection	
53	423787	Albero 1"3/4Z20	Shaft	Welle	Arbre	
54	623604	Spina	Pin	Stift	Goupille	
55	621601	Lanterna porta scatola	Main rotor housing	Hauptwelle halter	Palier boîte de vitesses	
56	014297	Vite	Screw	Schraube	Vis	
57	011013	Grower	Grower	Federscheibe	Grower	
58	004079	Dado	Nut	Mutter	Ecrou	
59	612727	Flangia	Flange	Flansch	Flasque	
60	099140	Cuffia	Guard	Schutz	Protection	
61	461073	Coperchio	Cover	Deckel	Couvercle	

361853000906

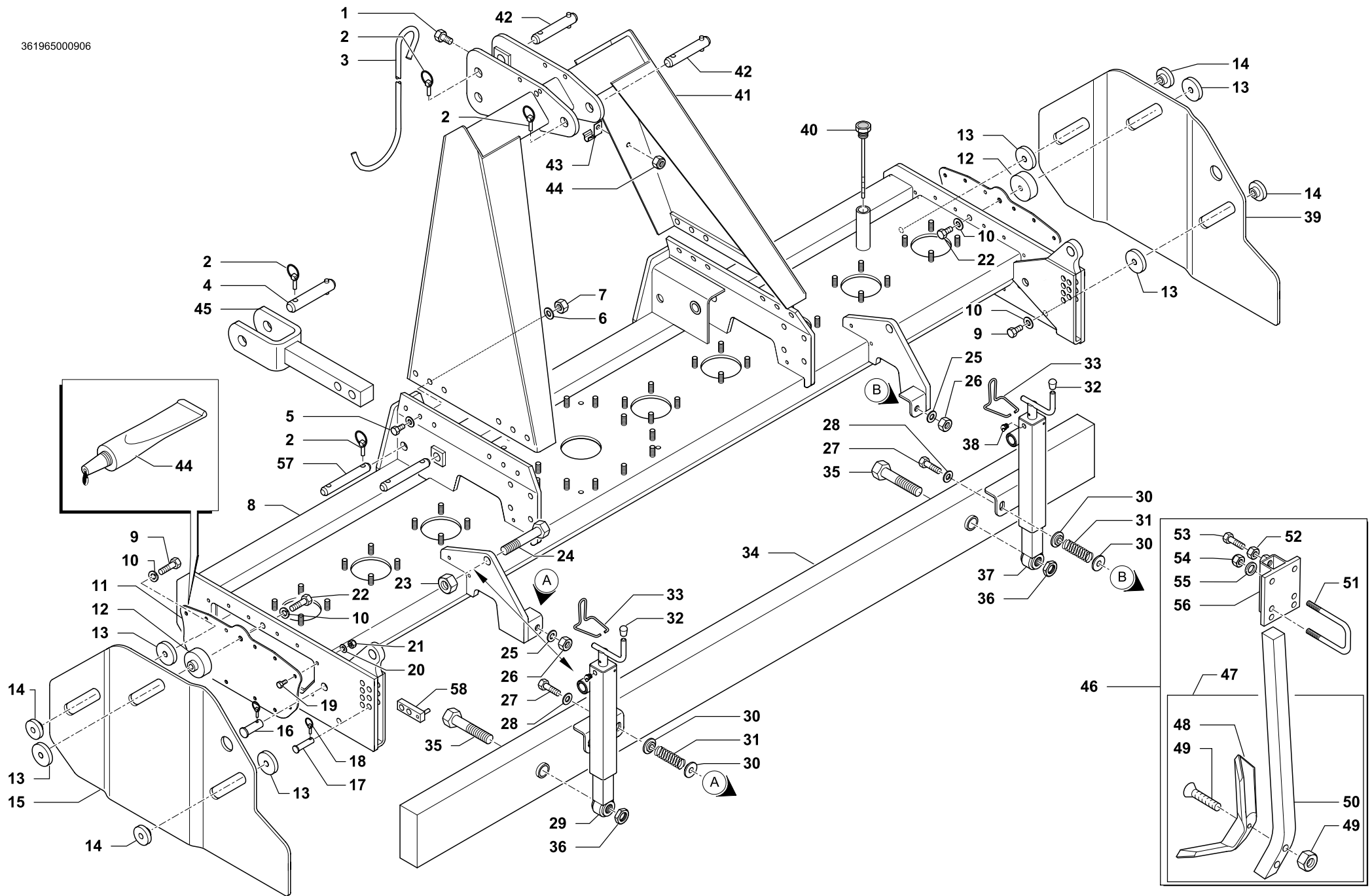


TRASMISSIONE • TRANSMISSION
 UBERTRAGUNG • TRANSMISSION

Tav. Tab. Taf.	361853	Rev.	00 0906
----------------------	---------------	------	----------------



RIF.	N. CODICE	DENOMINAZIONE	DENOMINATION	BEZEICHNUNG	DENOMINATION
1	008009	Ingrassatore	Grease nipple	Fettbuechse	Graisneur
2	004087	Dado	Nut	Mutter	Ecrou
3	094005	Sigillante	Glue	Klebstoff	Colle
4	621603	Supporto superiore	Support	Halterung	Support
5	003138S	Cuscinetto	Bearing	Kugellager	Roulement
6	623634	Anello di protezione	Stop ring	Sperring	Bague d'arret
7	001007	Anello di arresto	Stop ring	Sperring	Bague d'arret
8	005024	Ghiera	Ring nut	Nutmutter	Collier
9	622602	Ingranaggio laterale Z49	Gear	Zahnrad	Engrenage
10	001034	Anello di arresto	Stop ring	Sperring	Bague d'arret
11	003006S	Cuscinetto	Bearing	Kugellager	Roulement
12	007240	Paraolio	Oil seal	Simmerring	Joint huile
13	632610	Supporto inferiore	Support	Halterung	Support
14	011005	Grower	Washer	Federring	Rondelle
15	622906	Albero rotore laterale	Side rotor shaft	Seitenrotorwelle	Arbre rotor lateral
16	622603	Coltello destro	Blade	Rechtes	Couteau
17	611604	Supporto coltelli	Support	Halterung	Support
18	622604	Coltello sinistro	Blade	Rechtes	Couteau
19	011045	Rosetta	Washer	Scheibe	Rondelle
20	014261	Vite	Screw	Schraube	Vis
21	622625	Albero rotore centrale	Central rotor shaft	Zentralrotorwelle	Arbre rotor central
22	622601	Ingranaggio centrale Z49	Gear	Zahnrad	Engrenage
23	623615	Bussola	Bush	Buchse	Bague
24	623603	Anello di arresto	Stop ring	Sperring	Bague d'arret
25	001008	Anello di arresto	Stop ring	Sperring	Bague d'arret
26	661146	Supporto coltelli anting. + Parasassi	Tines holder + stones protection	Messerträger + Steinschutz	Support couteaux + protèges pierres
27	622635	Albero rotore centrale	Central rotor shaft for tines	Zentralrotorwelle	Arbre rotor central
28	013045	Spina	Pin	Stift	Goupille
29	632500	Supporto coltelli	Tines support	Messerträger	Support couteaux
30	001149	Anello di arresto	Stop ring	Sperring	Bague d'arret
31	623697	Perno sgancio rapido	Pin for tines quick release system	Bolzen für Schnellwechselfsystem	Axe démontage rapide
32	661147	Supporto coltelli anting. + Parasassi	Tines support + stones protection	Messerträger + Steinschutz	Support couteaux + protège pierres
33	622806	Albero rotore laterale	Side rotor shaft	Seitenrotorwelle	Arbre rotor lateral
34	632602	Supporto coltelli antingolfamento	Support	Halterung	Support
35	611495	Leva sblocca coltelli	Unlocking tines bar	Hebel für Schnellwechselfsystem	Clef de démontage



TELAIO • FRAME
RAHMEN • CHASSIS

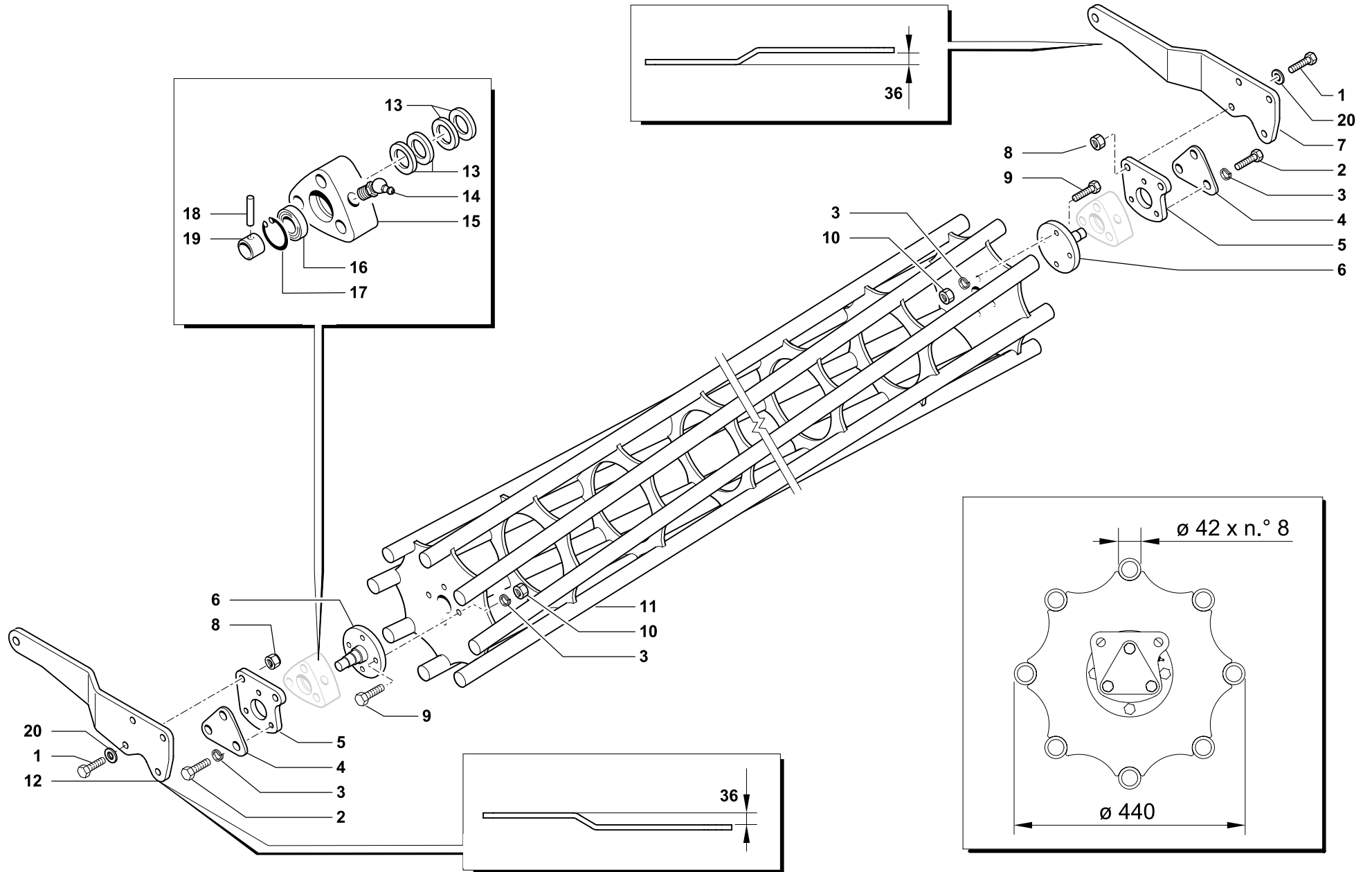
Tav. Tab. Taf.	361965	Rev.	00 0906
----------------------	---------------	------	----------------



RIF.	N. CODICE	DENOMINAZIONE	DENOMINATION	BEZEICHNUNG	DENOMINATION
1	014284	Vite	Screw	Schraube	Vis
2	013011	Spina a scatto	Pin	Stift	Goupille
3	523654	Gancio cardano	Drive shaft hook	Gelenkwelle aufhaengung	Crochet
4	621724	Perno	Pivot	Bolzen	Axe
5	014011	Vite	Screw	Schraube	Vis
6	010002	Rondella	Washer	Scheibe	Rondelle
7	004054	Dado	Nut	Mutter	Ecrou
250	8 662940	Telaio	Frame	Rahmen	Châssis
300	662941	Telaio	Frame	Rahmen	Châssis
350	662942	Telaio	Frame	Rahmen	Châssis
400	662943	Telaio	Frame	Rahmen	Châssis
9	014437	Vite	Screw	Schraube	Vis
10	011004	Grower	Washer	Federring	Rondelle
11	612598	Coperchio	Cover	Deckel	Couvercle
12	623411	Blocchetto di fissaggio	Stop plate	Schweisplatten	Bloc de fixation
13	623418	Rondella	Washer	Scheibe	Rondelle
14	623412	Blocchetto di fissaggio	Stop plate	Schweisplatten	Bloc de fixation
15	612385	Laterale parazole sinistro	Clod bumper	Erdklumpenschutz	Pare-mottes
16	623563	Perno fulcro rulli	Pivot	Bolzen	Axe
17	332515	Perno regolazione rullo	Pivot	Bolzen	Axe
18	013023	Spina a scatto	Pin	Stift	Goupille
19	014245	Vite	Screw	Schraube	Vis
20	010023	Rondella	Washer	Scheibe	Rondelle
21	004055	Dado	Nut	Mutter	Ecrou
22	014035	Vite	Screw	Schraube	Vis
23	004042	Dado	Nut	Mutter	Ecrou
24	014450	Vite	Screw	Schraube	Vis
25	010035	Rondella	Washer	Scheibe	Rondelle
26	004066	Dado	Nut	Mutter	Ecrou
27	014356	Vite	Screw	Schraube	Vis
28	011002	Grower	Washer	Federring	Rondelle
29	662917	Vite di regolazione sinistra	Threaded bar	Spindel	Vis de réglage
30	623626	Rondella	Washer	Scheibe	Rondelle
31	623624	Molla	Spring	Feder	Ressort



RIF.	N. CODICE	DENOMINAZIONE	DENOMINATION	BEZEICHNUNG	DENOMINATION	
32	022157	Tappo in gomma	Plug	Verschluss	Bouchon	
33	612891	Molla di bloccaggio	Spring	Feder	Ressort de blocage	
250	34	662904	Barra livellatrice	Levelling bar	Planierbalken	Barre niveleuse
300		662905	Barra livellatrice	Levelling bar	Planierbalken	Barre niveleuse
350		662906	Barra livellatrice	Levelling bar	Planierbalken	Barre niveleuse
400		662907	Barra livellatrice	Levelling bar	Planierbalken	Barre niveleuse
35	014447	Vite	Screw	Schraube	Vis	
36	004044	Dado	Nut	Mutter	Ecrou	
37	662918	Vite di regolazione destra	Threaded bar	Spindel	Vis de réglage	
39	612386	Laterale parazole destro	Clod bumper	Erdklumpenschutz	Pare-mottes	
40	022068	Tappo con asta	Plug	Verschluss	Bouchon	
41	661470	Castello 3° punto	Third point	Hebe boch	Bati 3 point	
42	621723	Perno	Pivot	Bolzen	Axe	
43	611728	Staffa gancio	Flask	Pratze	Bride	
44	094006	Sigillante	Glue	Klebstoff	Colle	
45	461875	Braccio attacco inferiore	Arm	Arm	Bras	
46	971509	Rompitraccia completo	Loosening tine	Spurspurlockerer	Brise traces	
47	099120	Rompitraccia	Loosening tine	Spurspurlockerer	Brise traces	
48	099121	Vomere reversibile	Blade	Messer	Burin	
49	014354	Vite + Dado	Screw + Nut	Schraube + Mutter	Vis + Ecrou	
50	099122	Ancora per rompitraccia	Ripper leg	Untergrundlockerer-arm	Bras du ripper	
51	623749	Cavallotto	U bolt	Bügelbolzen	Crampillon	
52	004004	Dado	Nut	Mutter	Ecrou	
53	014246	Vite	Screw	Schraube	Vis	
54	004101	Dado	Nut	Mutter	Ecrou	
55	010005	Rondella	Washer	Scheibe	Rondelle	
56	661917	Supporto rompitraccia	Support	Halterung	Support	
57	623767	Perno	Pivot	Bolzen	Axe	
58	661555	Blocchetto appoggio braccio	Arm housing	Arm halterung	Support bras d'appui	



RULLO GABBIA Ø 440 • CAGE ROLLER Ø 440
 STABWALZE Ø 440 • ROULEAU CAGE Ø 440

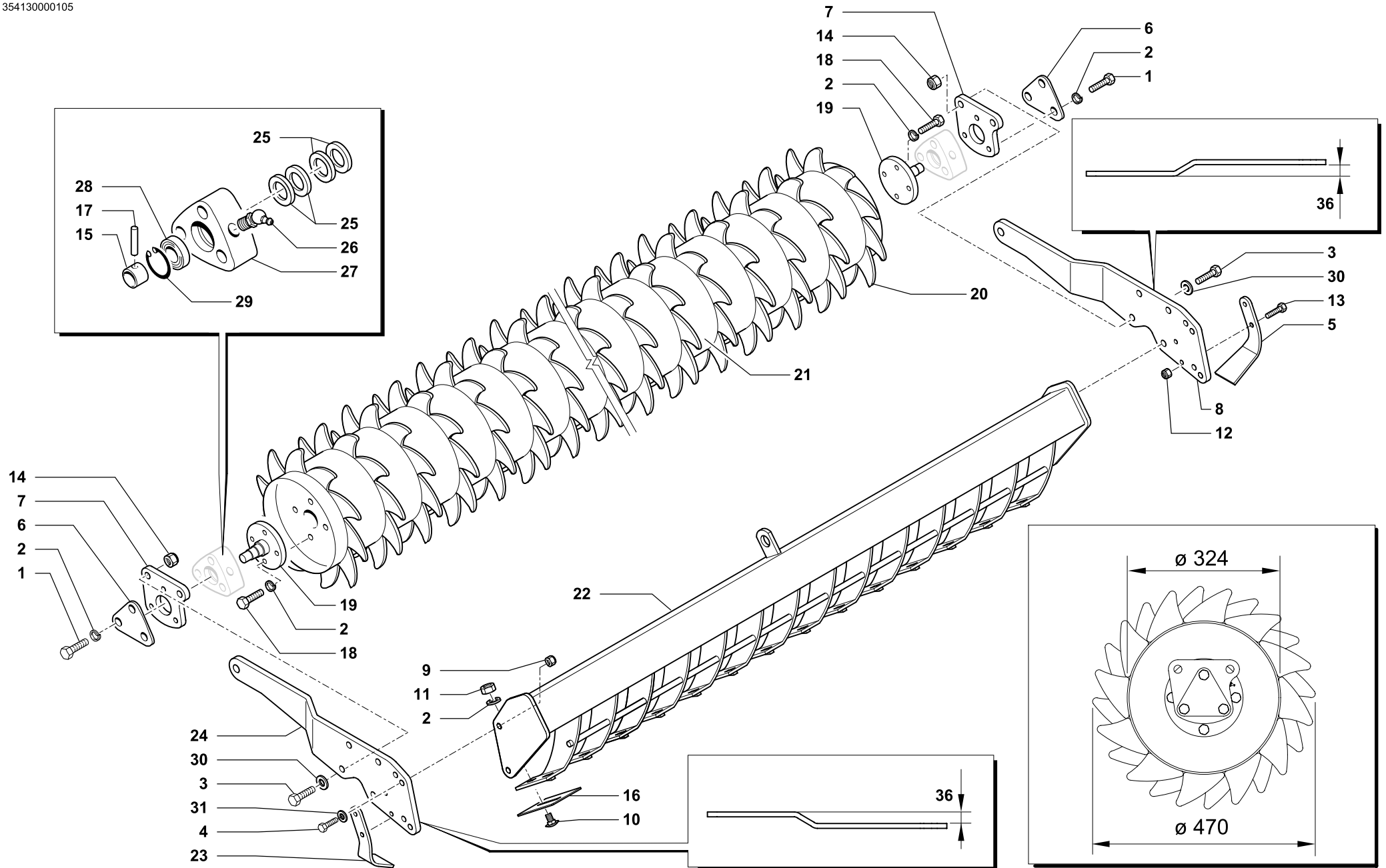
Tav. Tab. Taf.	361172	Rev.	00 0906
----------------------	---------------	------	----------------



RULLO GABBIA Ø 440 • CAGE ROLLER Ø 440
STABWALZE Ø 440 • ROULEAU CAGE Ø 440

Tav. 361172 Rev. 00 0906
Tab. Taf.

RIF.	N. CODICE	DENOMINAZIONE	DENOMINATION	BEZEICHNUNG	DENOMINATION
1	014192	Vite	Screw	Schraube	Vis
2	014145	Vite	Screw	Schraube	Vis
3	011003	Grower	Grower	Federscheibe	Grower
4	612372	Chiusura	Plate	Plate	Platte
5	661402	Piastra	Plate	Plate	Platte
6	661401	Fusello	Stub axle	Flansch	Fusee
7	613001	Braccio DX	Arm	Arm	Bras
8	004072	Dado	Nut	Mutter	Ecrou
9	014254	Vite	Screw	Schraube	Vis
10	004030	Dado	Nut	Mutter	Ecrou
250	961962	Rullo gabbia	Cage roller	Stabwalze	Rouleau cage
300	961964	Rullo gabbia	Cage roller	Stabwalze	Rouleau cage
350	961966	Rullo gabbia	Cage roller	Stabwalze	Rouleau cage
400	961968	Rullo gabbia	Cage roller	Stabwalze	Rouleau cage
12	613002	Braccio SX	Arm	Arm	Bras
13	099018	Gruppo parapolvere	Dust cover	Staubdeckel	Cache anti poussière
14	008005	Ingrassatore	Grease nipple	Fettbuechse	Graisneur
15	421604	Supporto	Support	Halterung	Support
16	003051	Cuscinetto	Bearing	Kugellager	Roulement
17	001006	Anello di arresto	Stop ring	Sperring	Bague d'arret
18	013019	Spina	Pin	Stift	Goupille
19	661403	Bussola	Bush	Buchse	Bague
20	010006	Rondella	Washer	Scheibe	Rondelle
250	998252	Rullo gabbia + Supporti	Cage roller + Support	Stabwalze + Halterung	Rouleau cage + Support
300	998254	Rullo gabbia + Supporti	Cage roller + Support	Stabwalze + Halterung	Rouleau cage + Support
350	998256	Rullo gabbia + Supporti	Cage roller + Support	Stabwalze + Halterung	Rouleau cage + Support
400	998258	Rullo gabbia + Supporti	Cage roller + Support	Stabwalze + Halterung	Rouleau cage + Support
250	671361	Kit rullo gabbia completo	Kit cage roller complete	Stabwalze komplett	Kit rouleau cage complet
300	671362	Kit rullo gabbia completo	Kit cage roller complete	Stabwalze komplett	Kit rouleau cage complet
350	671363	Kit rullo gabbia completo	Kit cage roller complete	Stabwalze komplett	Kit rouleau cage complet
400	671364	Kit rullo gabbia completo	Kit cage roller complete	Stabwalze komplett	Kit rouleau cage complet



RULLO PACKER Ø 470 • PACKER ROLLER Ø 470
 PACKERWALZE Ø 470 • ROULEAU PACKER Ø 470



Tav. Tab. Taf.	361174	Rev.	00 0906
----------------------	---------------	------	----------------



RULLO PACKER Ø 470 • PACKER ROLLER Ø 470
PACKERWALZE Ø 470 • ROULEAU PACKER Ø 470

Tav.
Tab.
Taf.

361174

Rev.

00 0906

RIF.	N. CODICE	DENOMINAZIONE	DENOMINATION	BEZEICHNUNG	DENOMINATION
1	014145	Vite	Screw	Schraube	Vis
2	011003	Grower	Grower	Federscheibe	Grower
3	014192	Vite	Screw	Schraube	Vis
4	014019	Vite	Screw	Schraube	Vis
5	911628	Raschietto laterale DX	Scraper	Schaber	Racloir
6	612372	Chiusura	Plate	Plate	Platte
7	661402	Piastra	Plate	Plate	Platte
8	613003	Braccio DX	Arm	Arm	Bras
9	004054	Dado	Nut	Mutter	Ecrou
10	014386	Vite	Screw	Schraube	Vis
11	004003	Dado	Nut	Mutter	Ecrou
12	004084	Dado	Nut	Mutter	Ecrou
13	014214	Vite	Screw	Schraube	Vis
14	004072	Dado	Nut	Mutter	Ecrou
15	661403	Bussola	Bush	Buchse	Bague
16	911601	Raschietto	Scraper	Schaber	Racloir
17	013019	Spina	Pin	Stift	Goupille
18	014145	Vite	Screw	Schraube	Vis
19	661401	Fusello	Stub axle	Flansch	Fusee
20	412782	Dente (da saldare)	Tine (to be welded)	Zahn (zum schweissen)	Dent (à souder)
250	21	961932	Rullo packer	Packer roller	Rouleau packer
300		961934	Rullo packer	Packer roller	Rouleau packer
350		961936	Rullo packer	Packer roller	Rouleau packer
400		961938	Rullo packer	Packer roller	Rouleau packer
250	22	961912	Barra porta raschietti	Scratcher support	Porte-racloir
300		961914	Barra porta raschietti	Scratcher support	Porte-racloir
350		961916	Barra porta raschietti	Scratcher support	Porte-racloir
400		961918	Barra porta raschietti	Scratcher support	Porte-racloir
	23	911627	Raschietto laterale SX	Scraper	Racloir
	24	613004	Braccio SX	Arm	Bras
	25	099018	Gruppo parapolvere	Dust cover	Cache anti poussière
	26	008005	Ingrassatore	Grease nipple	Graisneur
	27	421604	Supporto	Support	Support



RULLO PACKER Ø 470 • PACKER ROLLER Ø 470
PACKERWALZE Ø 470 • ROULEAU PACKER Ø 470

Tav.
Tab.
Taf.

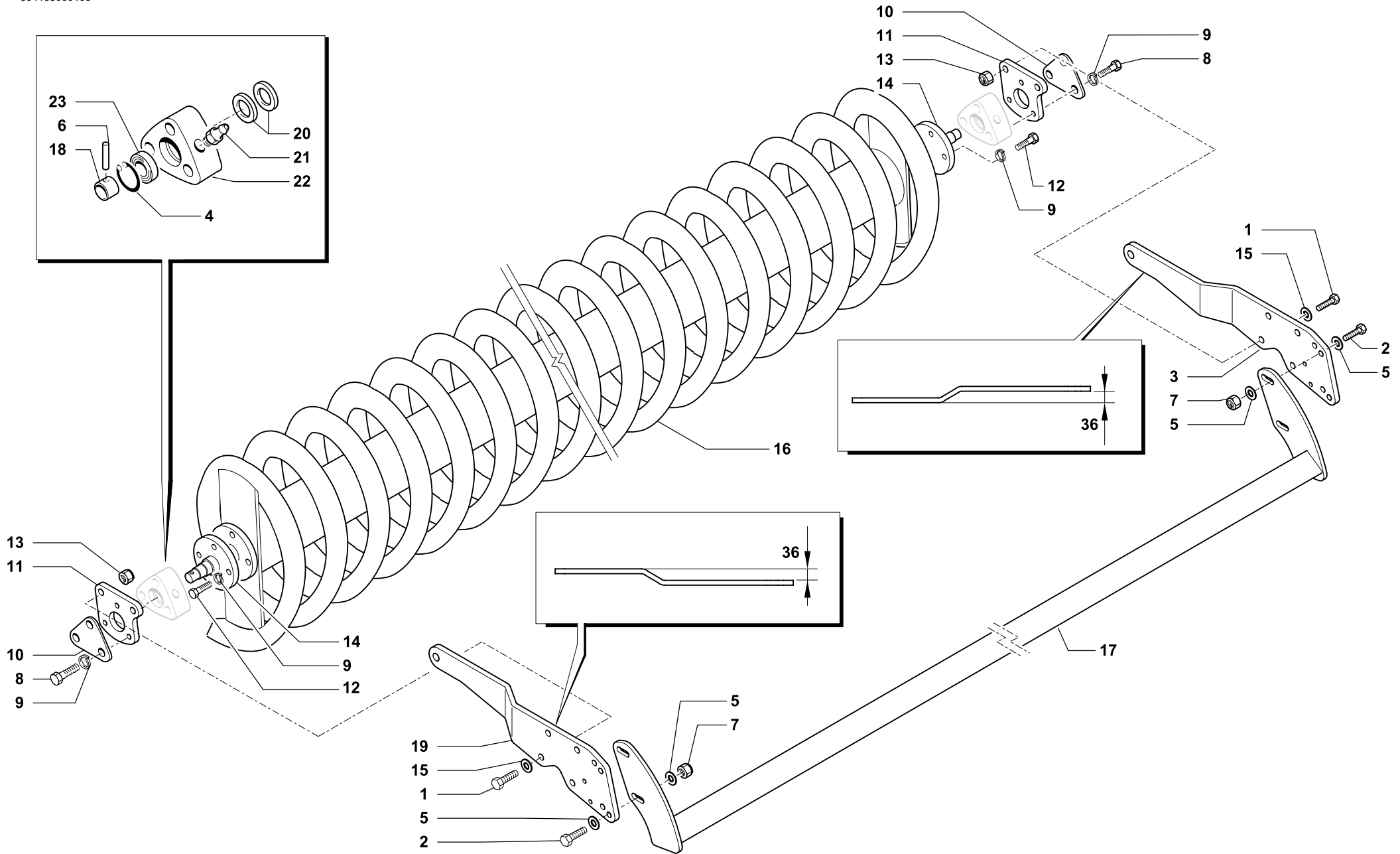
361174

Rev.

00

0906

RIF.	N. CODICE	DENOMINAZIONE	DENOMINATION	BEZEICHNUNG	DENOMINATION
28	003051	Cuscinetto	Bearing	Kugellager	Roulement
29	001006	Anello di arresto	Stop ring	Sperring	Bague d'arret
30	010006	Rondella	Washer	Scheibe	Rondelle
31	010002	Rondella	Washer	Scheibe	Rondelle
250	998262	Rullo packer + Supporti	Packer roller + Support	Packerwalze + Halterung	Rouleau packer + Support
300	998264	Rullo packer + Supporti	Packer roller + Support	Packerwalze + Halterung	Rouleau packer + Support
350	998266	Rullo packer + Supporti	Packer roller + Support	Packerwalze + Halterung	Rouleau packer + Support
400	998268	Rullo packer + Supporti	Packer roller + Support	Packerwalze + Halterung	Rouleau packer + Support
250	671371	Kit rullo packer completo	Kit packer roller complete	Packerwalze komplett	Kit rouleau packer complet
300	671372	Kit rullo packer completo	Kit packer roller complete	Packerwalze komplett	Kit rouleau packer complet
350	671373	Kit rullo packer completo	Kit packer roller complete	Packerwalze komplett	Kit rouleau packer complet
400	671374	Kit rullo packer completo	Kit packer roller complete	Packerwalze komplett	Kit rouleau packer complet





RULLO SPIRALE Ø 470 • SPIRAL ROLLER Ø 470
SPIRAL WALZE Ø 470 • ROULEAU SPIRALE Ø 470

Tav.
Tab.
Taf.

361177

Rev.

00 0906

RIF.	N. CODICE	DENOMINAZIONE	DENOMINATION	BEZEICHNUNG	DENOMINATION
1	014192	Vite	Screw	Schraube	Vis
2	014082	Vite	Screw	Schraube	Vis
3	613003	Braccio DX	Arm	Arm	Bras
4	001006	Anello di arresto	Stop ring	Sperring	Bague d'arret
5	010002	Rondella	Washer	Scheibe	Rondelle
6	013019	Spina	Pin	Stift	Goupille
7	004054	Dado	Nut	Mutter	Ecrou
8	014145	Vite	Screw	Schraube	Vis
9	011003	Grower	Grower	Federscheibe	Grower
10	612372	Chiusura	Plate	Plate	Platte
11	661402	Piastra	Plate	Plate	Platte
12	014145	Vite	Screw	Schraube	Vis
13	004072	Dado	Nut	Mutter	Ecrou
14	661401	Fusello	Stub axle	Flansch	Fusee
15	010006	Rondella	Washer	Scheibe	Rondelle
250	961982	Rullo spirale	Spiral roller	Spiral walze	Rouleau spirale
300	961984	Rullo spirale	Spiral roller	Spiral walze	Rouleau spirale
350	961986	Rullo spirale	Spiral roller	Spiral walze	Rouleau spirale
400	961988	Rullo spirale	Spiral roller	Spiral walze	Rouleau spirale
250	17 961822	Barra raschietto	Scratcher support	Schaberhalter	Porte-racloir
300	961824	Barra raschietto	Scratcher support	Schaberhalter	Porte-racloir
350	961826	Barra raschietto	Scratcher support	Schaberhalter	Porte-racloir
400	961828	Barra raschietto	Scratcher support	Schaberhalter	Porte-racloir
18	661403	Bussola	Bush	Buchse	Bague
19	613004	Braccio SX	Arm	Arm	Bras
20	099018	Gruppo parapolvere	Dust cover	Staubdeckel	Cache anti poussière
21	008005	Ingrassatore	Grease nipple	Fettbuechse	Graisneur
22	421604	Supporto	Support	Halterung	Support
23	003051	Cuscinetto	Bearing	Kugellager	Roulement
250	998282	Rullo spirale + Supporti	Spiral roller + Supports	Spiral Walze + Halterung	Rouleau spirale + Support
300	998284	Rullo spirale + Supporti	Spiral roller + Supports	Spiral Walze + Halterung	Rouleau spirale + Support
350	998286	Rullo spirale + Supporti	Spiral roller + Supports	Spiral Walze + Halterung	Rouleau spirale + Support
400	998288	Rullo spirale + Supporti	Spiral roller + Supports	Spiral Walze + Halterung	Rouleau spirale + Support



RULLO SPIRALE Ø 470 • SPIRAL ROLLER Ø 470
SPIRAL WALZE Ø 470 • ROULEAU SPIRALE Ø 470

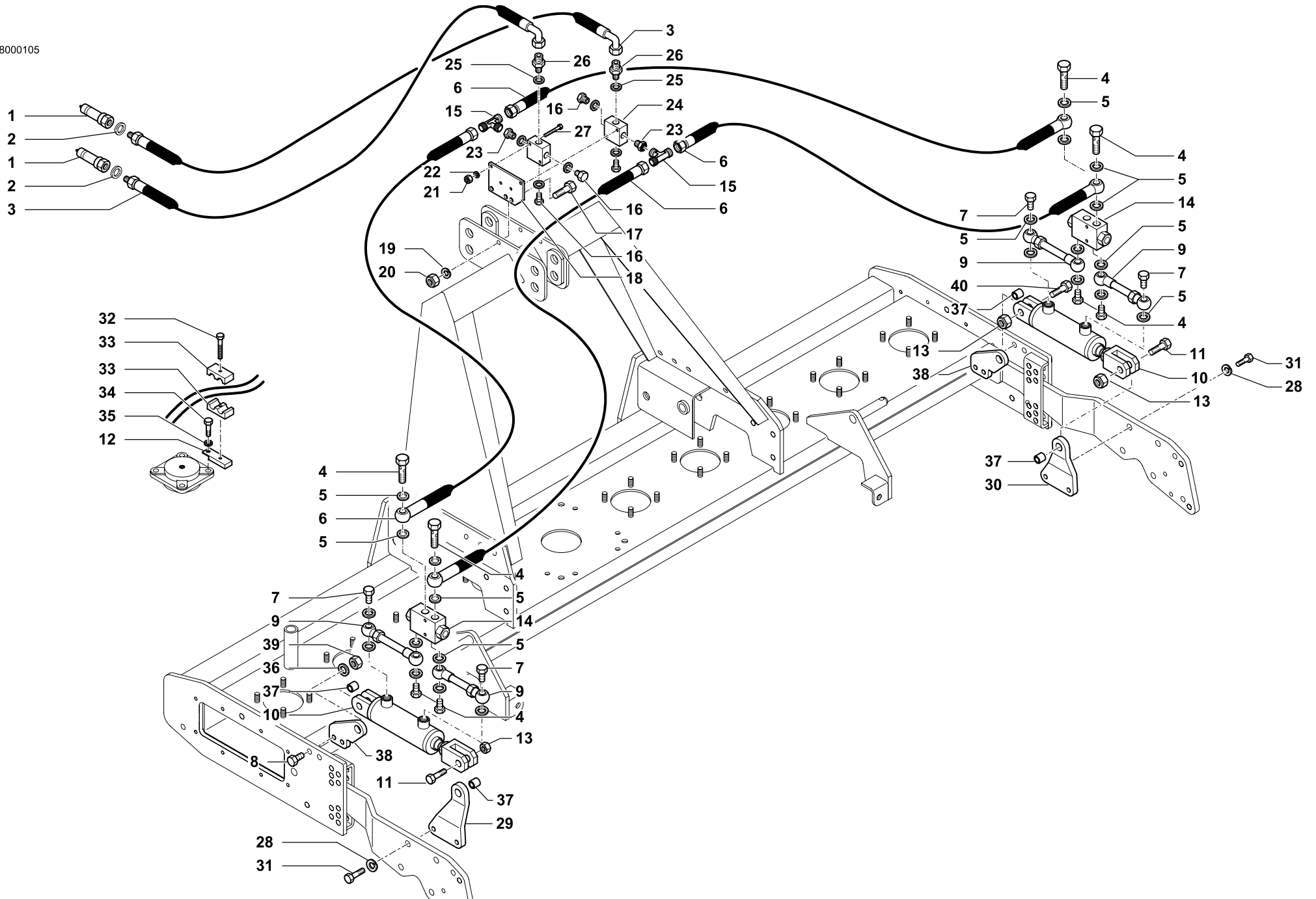
Tav.
Tab.
Taf.

361177

Rev.

00 0906

RIF.	N. CODICE	DENOMINAZIONE	DENOMINATION	BEZEICHNUNG	DENOMINATION
250	671391	Kit rullo spirale completo	Kit spiral roller complete	Spiral Walze komplett	Kit rouleau spiral complet
300	671392	Kit rullo spirale completo	Kit spiral roller complete	Spiral Walze komplett	Kit rouleau spiral complet
350	671393	Kit rullo spirale completo	Kit spiral roller complete	Spiral Walze komplett	Kit rouleau spiral complet
400	671394	Kit rullo spirale completo	Kit spiral roller complete	Spiral Walze komplett	Kit rouleau spiral complet



IMPIANTO IDRAULICO SOLLEVAMENTO RULLO • HYDRAULIC SYSTEM FOR ROLLER LIFTING
 HYDRAULISCHE ANLAGE FÜR WALZE BETAETIGUNG • INSTALLATION HYDRAULIQUE REGLAGE ROULEAUX

Tav. Tab. Taf.	361583	Rev.	00 0906
----------------------	---------------	------	----------------



IMPIANTO IDRAULICO SOLLEVAMENTO RULLO • HYDRAULIC SYSTEM FOR ROLLER LIFTING
HYDRAULISCHE ANLAGE FÜR WALZE BETAETIGUNG • INSTALLATION HYDRAULIQUE REGLAGE ROULEAUX

Tav.
Tab.
Taf. **361583**

Rev. **00 0906**

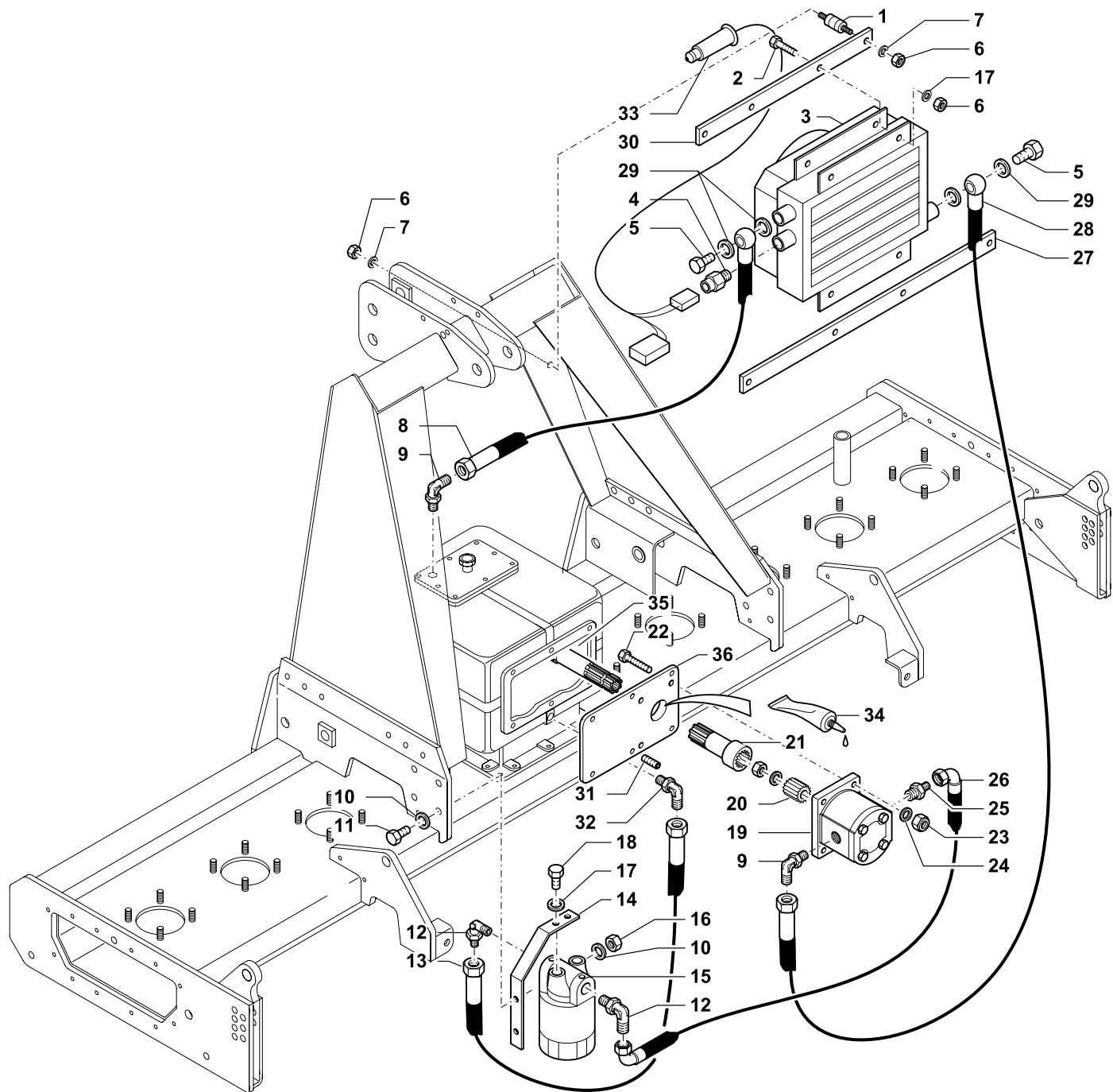
RIF.	N. CODICE	DENOMINAZIONE	DENOMINATION	BEZEICHNUNG	DENOMINATION
1	022082	Innesto rapido	Shap-on coupling	Baionett kupplung	Joint a baionette
2	022087	Rondella	Washer	Unterlegscheibe	Rondelle
3	023064	Tubo	Hose	Schlauch	Tuyau
4	022070	Vite cava	Screw	Schraube	Vis
5	022086	Rondella	Washer	Unterlegscheibe	Rondelle
6	023060	Tubo 300	Hose	Schlauch	Tuyau
	023061	Tubo 350-400-450	Hose	Schlauch	Tuyau
7	022175	Vite forata strozzata	Screw	Schraube	Vis
8	011012	Rondella ondulata	Washer	Unterlegscheibe	Rondelle
9	621736	Tubo	Hose	Schlauch	Tuyau
10	671815	Martinetto completo	Complete jack	Komplette winde	Vèrin complete
11	014221	Vite	Screw	Schraube	Vis
12	612658	Staffa supporto collare	Bracket	Tragbuegel	Support collier
13	004072	Dado	Nut	Mutter	Ecrou
14	021087	Valvola di blocco	Stop valve	Sperrventil	Suopape d'arret
15	022169	Raccordo a T	Connection	Anschluss	Raccord
16	022180	Tappo	Plug	Pfropfen	Bouchon
17	014149	Vite	Screw	Schraube	Vis
18	611500	Piastrina supporto	Plate	Teller	Plateau
19	010004	Rondella	Washer	Unterlegscheibe	Rondelle
20	004084	Dado	Nut	Mutter	Ecrou
21	004083	Dado	Nut	Mutter	Ecrou
22	010015	Rondella	Washer	Unterlegscheibe	Rondelle
23	022179	Riduzione	Nipple	Nippel	Reduction
24	021059	Divisore di flusso	Flow divider	Flussteiler	Diviseur de flux
25	022077	Rondella	Washer	Unterlegscheibe	Rondelle
26	022182	Raccordo	Connection	Anschluss	Raccord
27	014122	Vite	Screw	Schraube	Vis
28	011008	Grower	Grower	Federscheibe	Grower
29	623358	Attacco sinistro	L.H. hitch	L.H. kupplung	Attelage gauche
30	623359	Attacco destro	R.H. hitch	R.H. kupplung	Attelage droite
31	014200	Vite	Screw	Schraube	Vis
32	014353	Vite	Screw	Schraube	Vis



IMPIANTO IDRAULICO SOLLEVAMENTO RULLO • HYDRAULIC SYSTEM FOR ROLLER LIFTING
HYDRAULISCHE ANLAGE FÜR WALZE BETÄTIGUNG • INSTALLATION HYDRAULIQUE REGLAGE ROULEAUX

Tav. Tab. Taf.	361583	Rev.	00	0906
----------------------	---------------	------	-----------	-------------

RIF.	N. CODICE	DENOMINAZIONE	DENOMINATION	BEZEICHNUNG	DENOMINATION
33	022165	Collare fermatubo	Collar	Bund	Collier
34	014149	Vite	Screw	Schraube	Vis
35	423833	Boccola	Bushing	Buchse	Douille



KIT DI RAFFREDDAMENTO • COOLING KIT
 KUEHLUNGSKIT • KIT DE REFRROIDISSEMENT

Tav.
 Tab.
 Taf. **361584**

Rev. **00 0906**



KIT DI RAFFREDDAMENTO • COOLING KIT
KUEHLUNGSKIT • KIT DE REFROIDISSEMENT

Tav.
Tab.
Taf.

361584

Rev.

00

0906

RIF.	N. CODICE	DENOMINAZIONE	DENOMINATION	BEZEICHNUNG	DENOMINATION
1	099124	Puffer	Screw shock absorber	Pufferfeder	Ammortisseur
2	014245	Vite	Screw	Schraube	Vis
3	021055	Scambiatore	Exchange	Waermeaustauscher	Echangeur
4	021061	Termostato	Thermostat	Thermostat	Thermostat
5	022030	Vite	Screw	Schraube	Vis
6	004055	Dado	Nut	Mutter	Ecrou
7	011001	Grower	Washer	Federring	Rondelle
8	023130	Tubo	Hose	Schlauch	Tuyau
9	022120	Raccordo 90°	Connection	Anschluss	Raccord
10	010002	Rondella	Washer	Unterlegscheibe	Rondelle
11	014019	Vite	Screw	Schraube	Vis
12	022119	Raccordo 90°	Connection	Anschluss	Raccord
13	023127	Tubo	Hose	Schlauch	Tuyau
14	623644	Staffa	Flask	Pratze	Bride
15	021052	Filtro	Filter	Filer	Filtre
16	004054	Dado	Nut	Mutter	Ecrou
17	010023	Rondella	Washer	Unterlegscheibe	Rondelle
18	014284	Vite	Screw	Schraube	Vis
19	021051	Pompa	Pump	Pumpe	Pompe
20	021050	Mozzo	Hub	Moyeu	Nabe
21	423758	Albero collegamento pompa	Shaft	Welle	Arbre
22	014308	Vite	Screw	Schraube	Vis
23	004083	Dado	Nut	Mutter	Ecrou
24	010015	Rondella	Washer	Unterlegscheibe	Rondelle
25	022121	Raccordo	Connection	Anschluss	Raccord
26	023119	Tubo	Hose	Schlauch	Tuyau
27	611533	Staffa inferiore	Flask	Pratze	Bride
28	023165	Tubo	Hose	Schlauch	Tuyau
29	022087	Rondella rame	Washer	Unterlegscheibe	Rondelle
30	611534	Staffa superiore	Flask	Pratze	Bride
31	014305	Vite prigioniera	Screw	Schraube	Vis
32	022170	Raccordo 90°	Connection	Anschluss	Raccord
33	027001	Cavo alimentatore	Cable feeder	Speiseleitung	Fil alimentation



KIT DI RAFFREDDAMENTO • COOLING KIT
KUEHLUNGSKIT • KIT DE REFROIDISSEMENT

Tav.
Tab.
Taf.

361584

Rev.

00

0906

RIF.	N. CODICE	DENOMINAZIONE	DENOMINATION	BEZEICHNUNG	DENOMINATION
34	094002	Sigillante	Adhesive	Kleber	Cole
35	423756	Albero 1"3/4Z6	Shaft	Welle	Arbre
	423789	Albero 1"3/4Z20	Shaft	Welle	Arbre
36	421611	Coperchio	Cover	Deckel	Couvercle