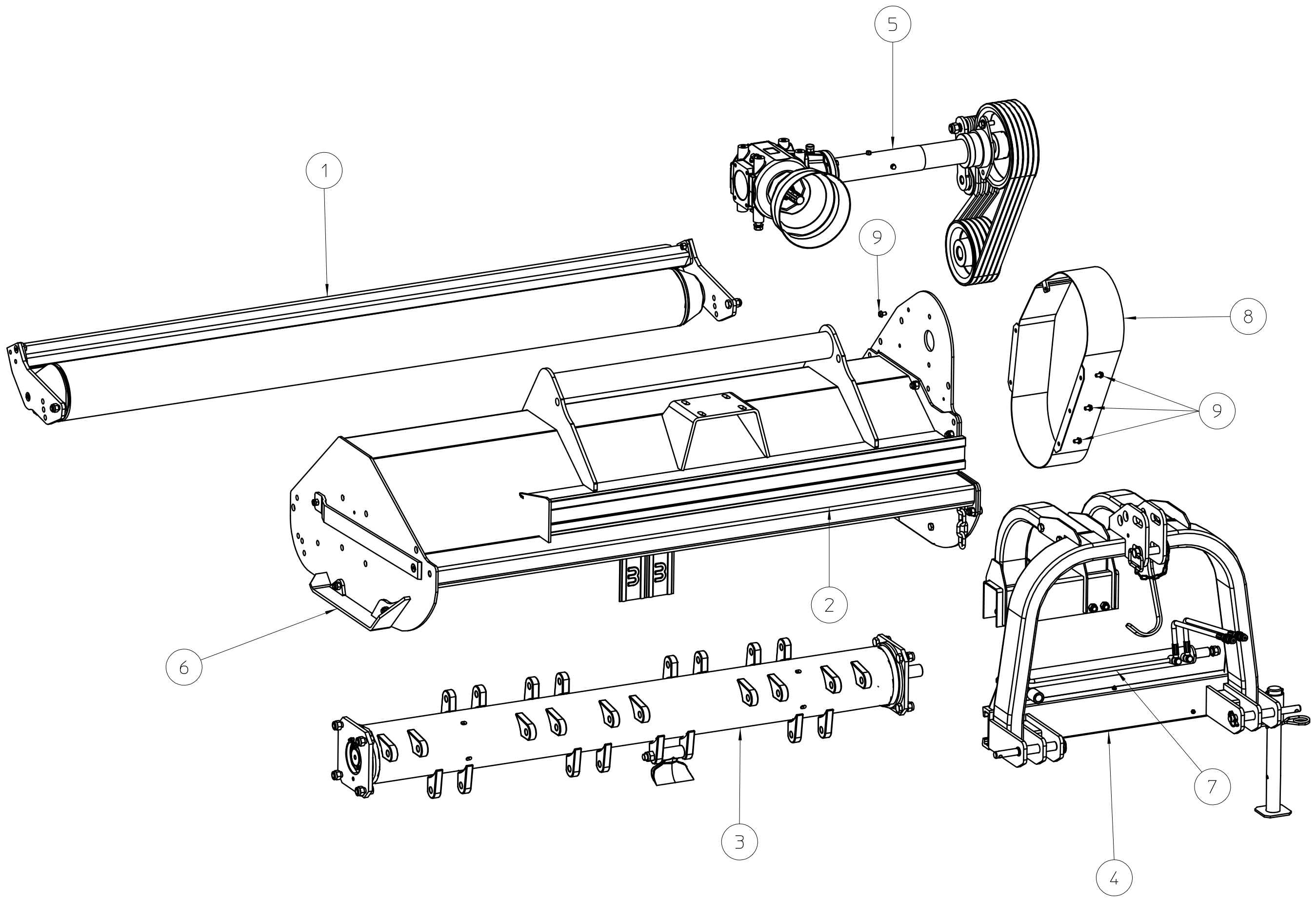




TFB-MEGA

BERTI SPARE PARTS REFERENCE GUIDE





Rev.	Descrizione	Eseguita da	Data	Approvata da	Data



Disegnato da: **Diego** Data: **28/11/14** Scala: **1:12** Foglio: **1**

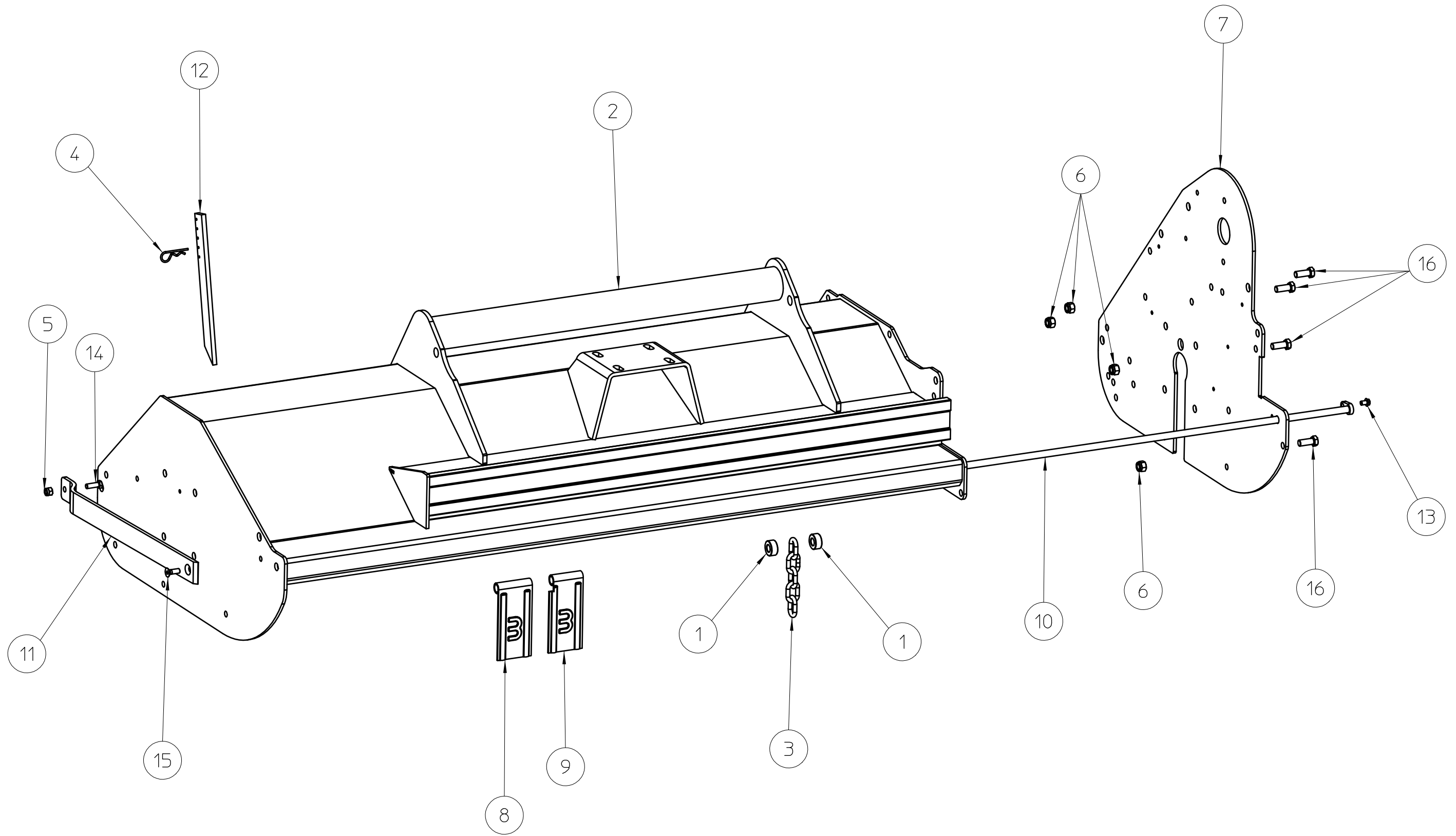
Descrizione: **Esploso complessivo TFB/M 2014**

Le informazioni contenute nel presente documento sono di proprietà della BERTI MACCHINE AGRICOLE SPA e non possono essere riprodotte o trasmesse a terzi in alcun modo senza esplicita approvazione scritta della BERTI MACCHINE AGRICOLE SPA o di un suo rappresentante debitamente autorizzato.

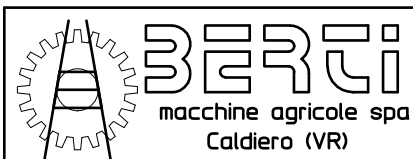
Codice: **22.01.1114** Revisione: **00**



Pos.	Description	TFB/M 140-160-180-200-200-250-270-285-300
1	Exploded view drawing roller	00.05.0111.0005
	Exploded view drawing steering wheels	59.10.0314
2	Case exploded drawing	22.02.1114
3	Rotor exploded view drawing	22.04.1114
	Rotor series 2015 exploded view drawing	22.04.1214
4	Tiller exploded view drawing	22.08.1114
5	Transmission exploded view drawing	22.09.1114
6	Slides exploded view drawing	22.11.1114
7	Hydraulics exploded view drawing	59.12.0314
	Mechanical movement exploded view drawing	08.07.1112
8	Carter	CA/7246
9	Screw TE M10x16 flanged	V1001602TF109Z



Rev.	Descrizione	Eseguita da	Data	Approvata da	Data



Disegnato da: **Diego** Data: **28/11/14** Scala: **1:10** Foglio: **1**
 Descrizione: **Esplso cassa TFB/M 2014**

Codice: **22.02.1114** Revisione: **00**



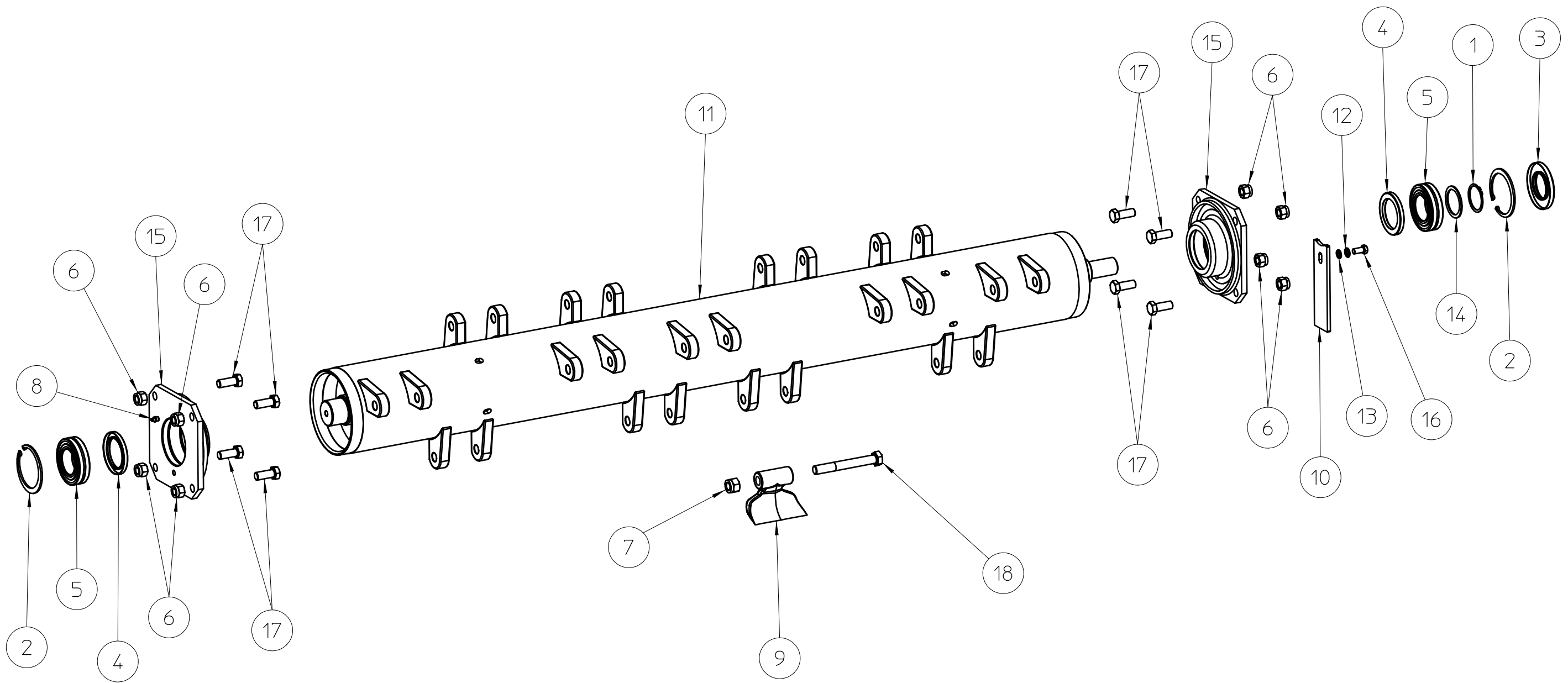
Le informazioni contenute nel presente documento sono di proprietà della BERTI MACCHINE AGRICOLE SPA e non possono essere riprodotte o trasmesse a terzi in alcun modo senza esplicita approvazione scritta della BERTI MACCHINE AGRICOLE SPA o di un suo rappresentante debitamente autorizzato.

Case TFB/M 2014

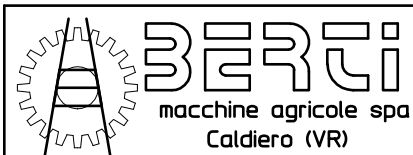
Pos.	Description	TFB/M 140	TFB/M 160	TFB/M 180	TFB/M 200	TFB/M 200 Special
1	Hose connector with bushings	BD/4833	BD/4833	BD/4833	BD/4833	BD/4833
2	Case	C140R159/7234	C160R159/7234	C180R159/7234	C200R159/7234	C200/7234
	Central case	-	C160R159AC/7234	C180R159AC/7234	C200R159AC/7234	C200AC/7234
3	Chain	CGSZ010	CGSZ010	CGSZ010	CGSZ010	CGSZ010
4	Spring pin d. 4 zn	CM04Z	CM04Z	CM04Z	CM04Z	CM04Z
5	Self-locking hex. nut 12 high	DE12AL6SPGZAB	DE12AL6SPGZAB	DE12AL6SPGZAB	DE12AL6SPGZAB	DE12AL6SPGZAB
6	Self-locking hex. nut 16 high	DE16AL6SPGZAB	DE16AL6SPGZAB	DE16AL6SPGZAB	DE16AL6SPGZAB	DE16AL6SPGZAB
7	External side	FE/7302	FE/7302	FE/7302	FE/7302	FE/7245
8	Front guard	PA04/2220	PA04/2220	PA04/2220	PA04/2220	PA04/2220
9	Cut-off front guard	PA04/2222	PA04/2222	PA04/2222	PA04/2222	PA04/2222
10	Guards pivot	PE140/7211	PE160/7211	PE180/7211	PE200/7211	PE200/7211
11	Long guard	PL100720	PL100720	PL100720	PL100720	PL100720
12	Rake	RT430/0083	RT430/0083	RT430/0083	RT430/0083	RT430/0083
13	Screw TE M10x16 flanged zn	V1001602TF109Z	V1001602TF109Z	V1001602TF109Z	V1001602TF109Z	V1001602TF109Z
14	Screw TE M12x35 black	V120352TF088N	V120352TF088N	V120352TF088N	V120352TF088N	V120352TF088N
15	Screw tspei M12x35 black	V120353TF109N	V120353TF109N	V120353TF109N	V120353TF109N	V120353TF109N
16	Screw te M16x40 black	V160402TF109N	V160402TF109N	V160402TF109N	V160402TF109N	V160402TF109N

Case TFB/M 2014

Pos.	Description	TFB/M 220	TFB/M 250	TFB/M 270	TFB/M 285	TFB/M 300
1	Hose connector with bushings	BD/4833	BD/4833	BD/4833	BD/4833	BD/4833
2	Case	C220/7234	C250/7234	C270/7234	C285/7234	C300/7234
	Central case	C220AC/7234	C250AC/7234	C270AC/7234	C285AC/7234	C300AC/7234
3	Chain	CGSZ010	CGSZ010	CGSZ010	CGSZ010	CGSZ010
4	Spring pin d. 4 zn	CM04Z	CM04Z	CM04Z	CM04Z	CM04Z
5	Self-locking hex. nut 12 high	DE12AL6SPGZAB	DE12AL6SPGZAB	DE12AL6SPGZAB	DE12AL6SPGZAB	DE12AL6SPGZAB
6	Self-locking hex. nut 16 high	DE16AL6SPGZAB	DE16AL6SPGZAB	DE16AL6SPGZAB	DE16AL6SPGZAB	DE16AL6SPGZAB
7	External side	FE/7245	FE/7245	FE/7245	FE/7245	FE/7245
8	Front guard	PA04/2220	PA04/2220	PA04/2220	PA04/2220	PA04/2220
9	Cut-off front guard	PA04/2222	PA04/2222	PA04/2222	PA04/2222	PA04/2222
10	Guards pivot	PE220/7211	PE250/7211	PE270/7211	PE285/7211	PE300/7211
11	Long guard	PL100720	PL100720	PL100720	PL100720	PL100720
12	Rake	RT430/0083	RT430/0083	RT430/0083	RT430/0083	RT430/0083
13	Screw TE M10x16 flanged	V1001602TF109Z	V1001602TF109Z	V1001602TF109Z	V1001602TF109Z	V1001602TF109Z
14	Screw TE M12x35 black	V120352TF088N	V120352TF088N	V120352TF088N	V120352TF088N	V120352TF088N
15	Screw tspei M12x35 black	V120353TF109N	V120353TF109N	V120353TF109N	V120353TF109N	V120353TF109N
16	Screw te M16x40 black	V160402TF109N	V160402TF109N	V160402TF109N	V160402TF109N	V160402TF109N



Rev.	Descrizione	Eseguita da	Data	Approvata da	Data



Disegnato da: **Diego**

Data: **01/12/14**

Scala: **1:10**

Foglio: **1**



Codice:

22.04.1114 00

Revisione:

Descrizione:

Esplso rotore TFB/M

Le informazioni contenute nel presente documento sono di proprietà della BERTI MACCHINE AGRICOLE SPA e non possono essere riprodotte o trasmesse a terzi in alcun modo senza esplicita approvazione scritta della BERTI MACCHINE AGRICOLE SPA o di un suo rappresentante debitamente autorizzato.



Rotor TFB/M

Pos.	Description	TFB/M 140	TFB/M 160	TFB/M 180	TFB/M 200	TFB/M 200 Special
1	External seeger ring	ASE060	ASE060	ASE060	ASE060	ASE060
2	Internal seeger ring	ASI110	ASI110	ASI110	ASI110	ASI110
3	Seal ring	AT06011012	AT06011012	AT06011012	AT06011012	AT06011012
4	Seal ring	AT07010010	AT07010010	AT07010010	AT07010010	AT07010010
5	Roller bearing	003.07	003.07	003.07	003.07	003.07
6	Self-locking hex. nut 18 high	014.80 / 014.85*	014.80 / 014.85*	014.80 / 014.85*	014.80 / 014.85*	014.80 / 014.85*
7	Self-locking hex. nut 20 high	DE20AL20015	DE20AL20015	DE20AL20015	DE20AL20015	DE20AL20015
8	Straight greaser	IN101XXDR	IN101XXDR	IN101XXDR	IN101XXDR	IN101XXDR
9	Hammer "MEGA" type	MP/0794	MP/0794	MP/0794	MP/0794	MP/0794
10	Flat side closure	PCF/5169	PCF/5169	PCF/5169	PCF/5169	PCF/5169
11	Balanced rotor	RB159140/0875	RB159160/0875	RB159180/0876	RB159200/0877	RB203200/1095
12	Grower washer d.12 black	RG12XXARN	RG12XXARN	RG12XXARN	RG12XXARN	RG12XXARN
13	Flat washer d.12 black	RP12XXFN	RP12XXFN	RP12XXFN	RP12XXFN	RP12XXFN
14	Shoulder washer	RS060	RS060	RS060	RS060	RS060
15	Rotor support	SR203/0027	SR203/0027	SR203/0027	SR203/0027	SR203/0027
16	Screw te M12x25 black	V120252TF088N	V120252TF088N	V120252TF088N	V120252TF088N	V120252TF088N
17	Screw te M18x45 black	V180452TF088N	V180452TF088N	V180452TF088N	V180452TF088N	V180452TF088N
18	Screw te M20x160 black	014.80	014.80	014.80	014.80	014.80

*Square head bolt late model

014.85

014.85

014.85

014.85

014.85

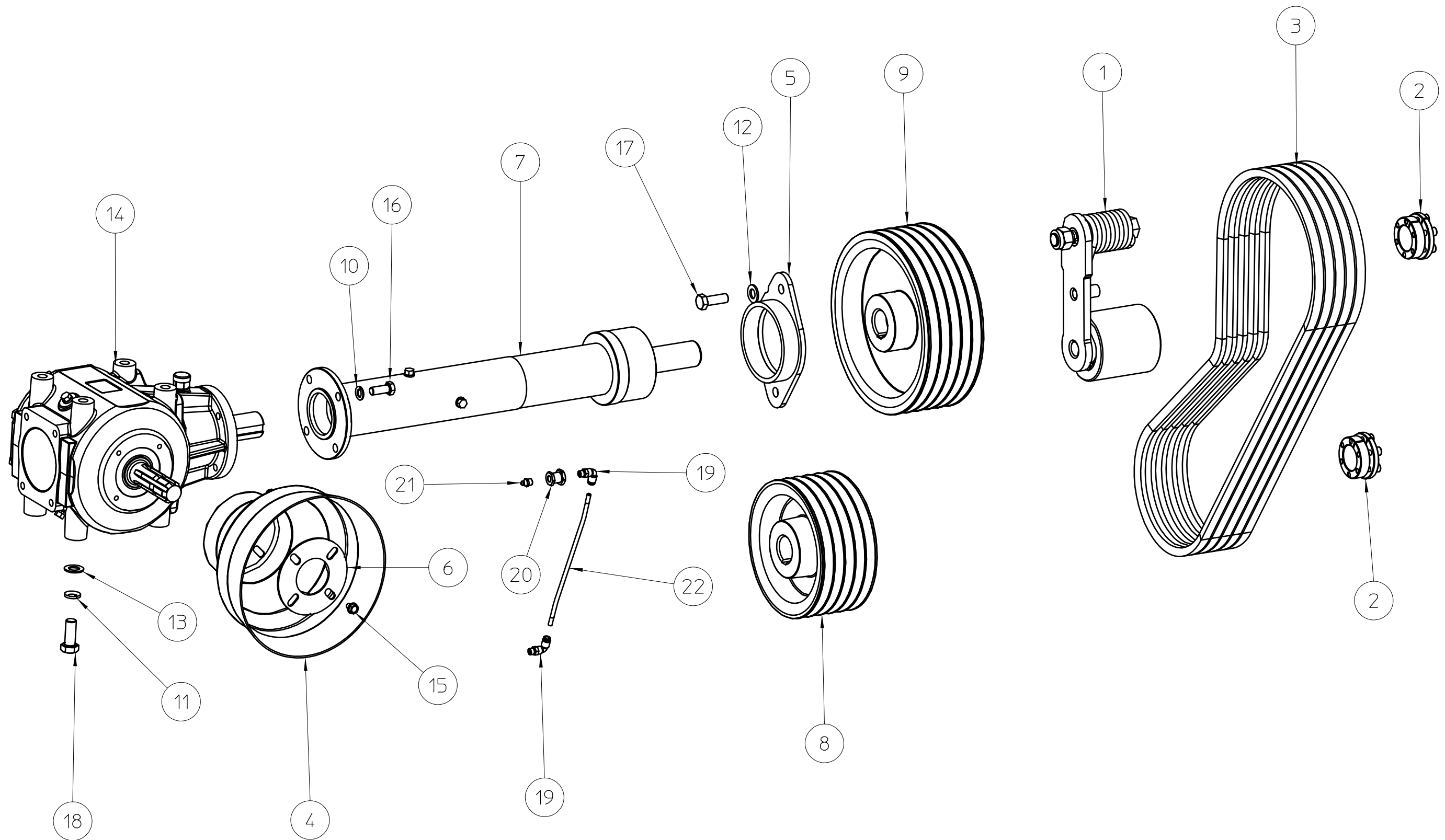
Rotor TFB/M

Pos.	Description	TFB/M 220	TFB/M 250	TFB/M 270	TFB/M 285	TFB/M 300
1	External seeger ring	ASE060	ASE060	ASE060	ASE060	ASE060
2	Internal seeger ring	ASI110	ASI110	ASI110	ASI110	ASI110
3	Joint ring	AT06011012	AT06011012	AT06011012	AT06011012	AT06011012
4	Joint ring	AT07010010	AT07010010	AT07010010	AT07010010	AT07010010
5	Roller bearing	003.07	003.07	003.07	003.07	003.07
6	Self-locking hex. nut 18 high	014.80 / 014.85*	014.80 / 014.85*	014.80 / 014.85*	014.80 / 014.85*	014.80 / 014.85*
7	Self-locking hex. nut 20 high	DE20AL20015	DE20AL20015	DE20AL20015	DE20AL20015	DE20AL20015
8	Straight greaser	IN101XXDR	IN101XXDR	IN101XXDR	IN101XXDR	IN101XXDR
9	Hammer "MEGA" type	MP/0794	MP/0794	MP/0794	MP/0794	MP/0794
10	Flat side closure	PCF/5169	PCF/5169	PCF/5169	PCF/5169	PCF/5169
11	Balanced rotor	RB203220/0878	RB203250/0879	RB203270/0880	RB203285/0881	RB203300/0882
12	Grower washer d.12 black	RG12XXARN	RG12XXARN	RG12XXARN	RG12XXARN	RG12XXARN
13	Flat washer d.12 black	RP12XXFN	RP12XXFN	RP12XXFN	RP12XXFN	RP12XXFN
14	Shoulder washer	RS060	RS060	RS060	RS060	RS060
15	Rotor support	SR203/0027	SR203/0027	SR203/0027	SR203/0027	SR203/0027
16	Screw te M12x25 black	V120252TF088N	V120252TF088N	V120252TF088N	V120252TF088N	V120252TF088N
17	Screw te M18x45 black	V180452TF088N	V180452TF088N	V180452TF088N	V180452TF088N	V180452TF088N
18	Screw te M20x160 black	014.80	014.80	014.80	014.80	014.80

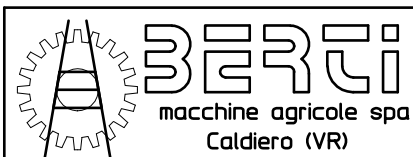
*Square head bolt late model 014.85 014.85 014.85 014.85 014.85

Tiller TFB/M 2014

Pos.	Description	TFB/M 140-160-180-200-220-250-270-285-300
1	Lower cylinder	CI/3096
2	Hex. nut 10 self-locking	DE10AL6SPGZAB
3	Hex. nut 16 self-locking	DE16AL6SPGZAB
4	Hex. nut 18 self-locking	DE18AL6SPGZAB
5	Straight greaser	IN101XXDR
6	Foot support pin	MF070550205Z
7	Support pin	PA48440
8	Pivot	PL2228/3676
9	Flat washer D.10	RP10XXFZ
10	Iron wheel	RS25013505C
11	Cardan support bracket	SC/0352
12	Spring plunger	SE06060
13	3rd point pin	SP25095Z
14	Tow pin	SSX10Z
15	Tiller	TC/7247
16	Tiller with front wheels	TC/7253
17	Wheel holder pipe	TP/7229
18	Tiller tie rod	TT/7250
19	Screw tcei M10x35 zn	V100351TF088Z
20	Screw TE M14x130 black	V161302PF088N
21	Screw TE M18x90 black	V180902TF088N
22	Tiller screw	VT/3407



Rev.	Descrizione	Eseguita da	Data	Approvata da	Data



Disegnato da: **Diego** Data: **28/11/14** Scala: **1:6** Foglio: **1** Codice: **22.09.1114.00**

Descrizione: **Esploso trasmissione TFB/M 2014**

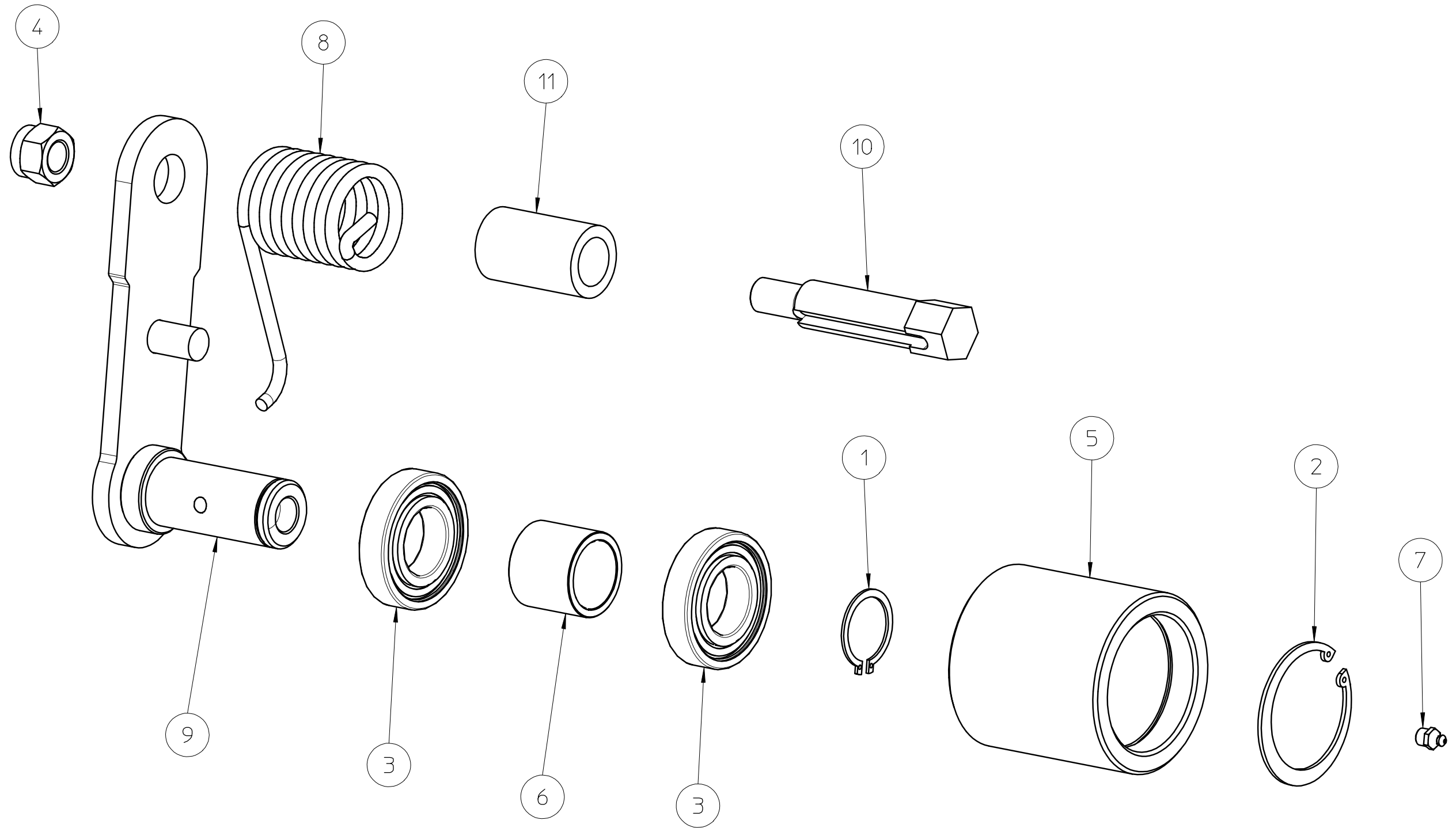
Le informazioni contenute nel presente documento sono di proprietà della BERTI MACCHINE AGRICOLE SPA e non possono essere riprodotte o trasmesse a terzi in alcun modo senza esplicita approvazione scritta della BERTI MACCHINE AGRICOLE SPA o di un suo rappresentante debitamente autorizzato.



22.09.1114

Pos.	Description	TFB/M 140	TFB/M 160	TFB/M 180	TFB/M 200	TFB/M 200 Special
1	Exploded view drawing automatic belt tensioner	00.09.1110.0001	00.09.1110.0001	00.09.1110.0001	00.09.1110.0001	00.09.1110.0001
2	Shrink disk	CA4065	CA4065	CA4065	CA4065	CA4065
3	Belt – PTO 540	993.04	993.04	993.04	993.04	993.04
4	Perforated shaft cone d. 28	CC005	CC005	CC005	CC005	CC005
5	Flange for extension	FP/6871	FP/6871	FP/6871	FP/6871	FP/6871
6	Reinforcement flange	FRZ/1338	FRZ/1338	FRZ/1338	FRZ/1338	FRZ/1338
7	Extension	PC0615	PC0615	PC0615	PC0780	PC0780
	Central case extension	-	PC0780	PC0780	PC0950	PC02900990
8	Pulley – PTO 540	PG212G5	PG212G5	PG212G5	PG212G5	PG212G5
	Pulley – PTO 1000	PG200G5	PG200G5	PG200G5	PG200G5	PG200G5
9	Pulley – PTO 540	PG280G5	PG280G5	PG280G5	PG280G5	PG280G5
	Pulley – PTO 1000	PG225G5	PG225G5	PG225G5	PG225G5	
10	Grower washer D.12	RG12XXARN	RG12XXARN	RG12XXARN	RG12XXARN	RG12XXARN
11	Grower washer D.16	RG16XXARN	RG16XXARN	RG16XXARN	RG16XXARN	RG16XXARN
12	Flat washer D.14	RP14XXFN	RP14XXFN	RP14XXFN	RP14XXFN	RP14XXFN
13	Flat washer D.16	RP16XXFN	RP16XXFN	RP16XXFN	RP16XXFN	RP16XXFN
14	Gear box – PTO 540	S0312R13RL	S0312R13RL	S0312R13RL	S0312R13RL	S02900000R130RL
	Gear box – PTO 1000	S0312R12RL	S0312R12RL	S0312R12RL	S0312R12RL	S0290R12RL
15	Screw TE M8x12	V0801202TF109Z	V0801202TF109Z	V0801202TF109Z	V0801202TF109Z	V0801202TF109Z
16	Screw TE 12x30	V120302TF088N	V120302TF088N	V120302TF088N	V120302TF088N	V120302TF088N
17	Screw TE 14x40	V140402PF109N	V140402PF109N	V140402PF109N	V140402PF109N	V140402PF109N
18	Screw TE 16x40	V160402TF109N	V160402TF109N	V160402TF109N	V160402TF109N	V160402TF109N
19	90° Fitting	040800003	040800003	040800003	040800003	040800003
20	Bulkhead	041000002	041000002	041000002	041000002	041000002
21	Straight greaser	IN101XXDR	IN101XXDR	IN101XXDR	IN101XXDR	IN101XXDR
22	Greasing pipe	TRT/7190	TRT/7190	TRT/7190	TRT/7190	TRT/7190

Pos.	Description	TFB/M 220	TFB/M 250	TFB/M 270	TFB/M 285	TFB/M 300
1	Exploded view drawing automatic belt tensioner	00.09.1110.0001	00.09.1110.0001	00.09.1110.0001	00.09.1110.0001	00.09.1110.0001
2	Clamping unit	CA4065	CA4065	CA4065	CA4065	CA4065
3	Belt – PTO 540	993.04	993.04	993.04	993.04	993.04
4	Perforated shaft cone d. 28	CC005	CC005	CC005	CC005	CC005
5	Flange for extension	FP/7231	FP/7231	FP/7231	FP/7231	FP/7231
6	Reinforcement flange	FRZ/1338	FRZ/1338	FRZ/1338	FRZ/1338	FRZ/1338
7	Extension	PC0780	PC0780	PC0780	PC0780	PC0780
	Central case extension	PC1060	PC1060	PC1350	PC1350	PC1350
8	Pulley – PTO 540	PG212G5	PG212G5	PG212G5	PG212G5	PG212G5
	Pulley – PTO 1000	PG200G5	PG200G5	PG200G5	PG200G5	PG200G5
9	Pulley – PTO 540	PG280G5	PG280G5	PG280G5	PG280G5	PG280G5
	Pulley – PTO 1000	PG225G5	PG225G5	PG225G5	PG225G5	PG225G5
10	Grower washer D.12	RG12XXARN	RG12XXARN	RG12XXARN	RG12XXARN	RG12XXARN
11	Grower washer D.16	RG16XXARN	RG16XXARN	RG16XXARN	RG16XXARN	RG16XXARN
12	Flat washer D.14	RP14XXFN	RP14XXFN	RP14XXFN	RP14XXFN	RP14XXFN
13	Flat washer D.16	RP16XXFN	RP16XXFN	RP16XXFN	RP16XXFN	RP16XXFN
14	Gear box – PTO 540	S02900000R130RL	S02900000R130RL	S02900000R130RL	S02900000R130RL	S02900000R130RL
	Gear box – PTO 1000	S0290R12RL	S0290R12RL	S0290R12RL	S0290R12RL	S0290R12RL
15	Screw TE M8x12	V0801202TF109Z	V0801202TF109Z	V0801202TF109Z	V0801202TF109Z	V0801202TF109Z
16	Screw TE 12x30	V120302TF088N	V120302TF088N	V120302TF088N	V120302TF088N	V120302TF088N
17	Screw TE 14x40	V140402PF109N	V140402PF109N	V140402PF109N	V140402PF109N	V140402PF109N
18	Screw TE 16x40	V160402TF109N	V160402TF109N	V160402TF109N	V160402TF109N	V160402TF109N
19	90° Fitting	040800003	040800003	040800003	040800003	040800003
20	Bulkhead	041000002	041000002	041000002	041000002	041000002
21	Straight greaser	IN101XXDR	IN101XXDR	IN101XXDR	IN101XXDR	IN101XXDR
22	Greasing pipe	TRT/7190	TRT/7190	TRT/7190	TRT/7190	TRT/7190

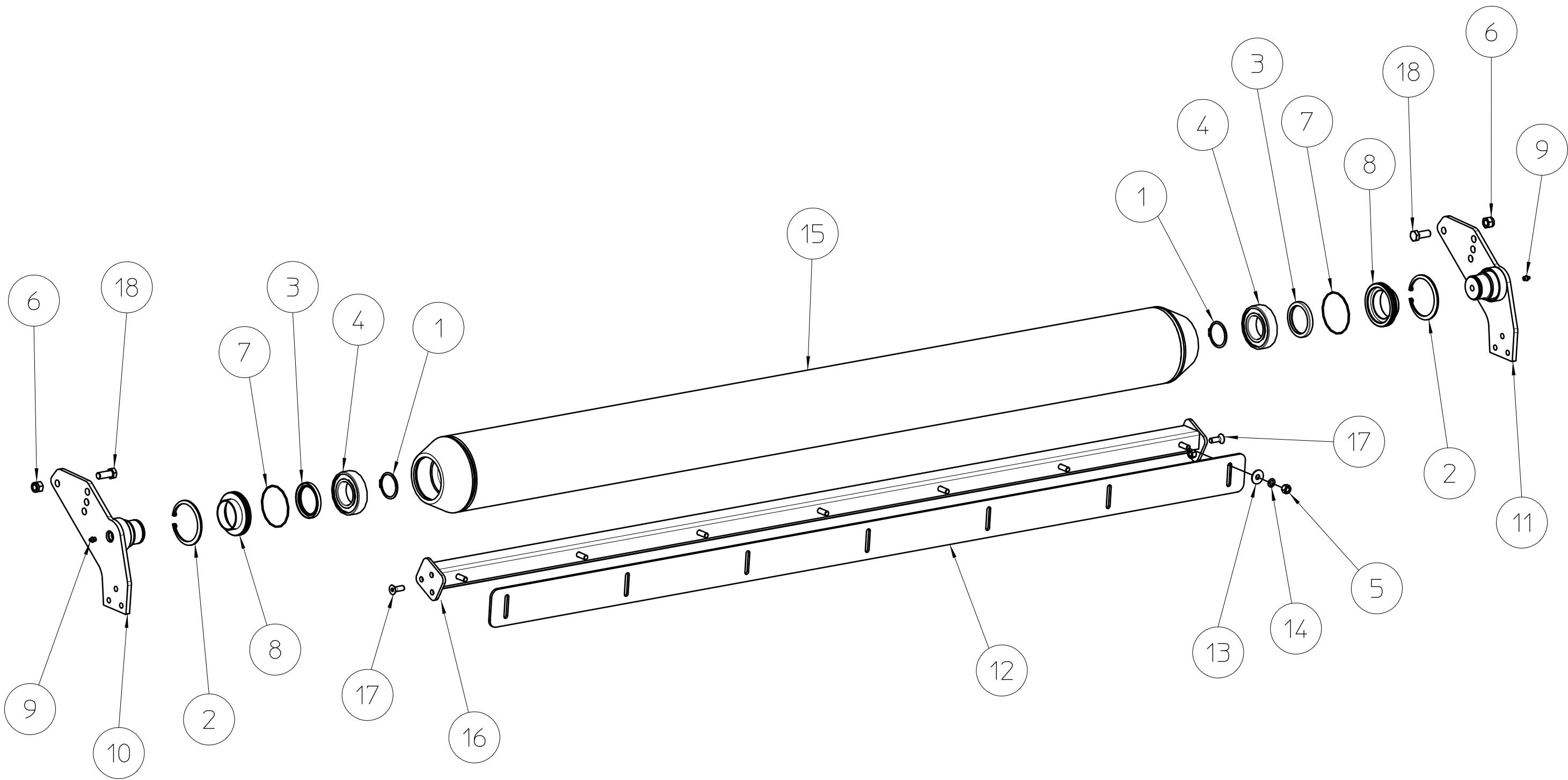


 macchine agricole spa Caldiero (VR)		mod. Vari mat.	 00.09.1110.0001
Per le tolleranza non indicate a disegno rifarsi alla UNI EN 22768-1/2 mK Per le tolleranza accoppiamento albero foro: albero h13 foro H13		Smussi non quotati 0.5x45° Trat. Termico	Raggi non quotati R=0.5 Trat. Superficiale
des. Esploso tenditore automatico 5 cinghie			Peso
data 12/11/10	dis. Diego	cod. 00.09.1110.0001	rev. 01
© Le informazioni contenute nel presente documento sono di proprietà della BERTI MACCHINE AGRICOLE SPA e non possono essere riprodotte o trasmesse a terzi in alcun modo senza esplicita approvazione scritta della BERTI MACCHINE AGRICOLE SPA o di un suo rappresentante debitamente autorizzato.			

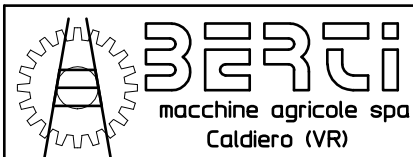
01	Sostituiti dadi M20	12/06/13
----	---------------------	----------

5-belts automatic belt tensioner

Pos.	Designation	Code
1	EXTERNAL SEEGER RING 40	ASE040
2	INTERNAL SEEGER RING 80	ASI080
3	RADIAL BALL BEARING	003.12
4	HEX. NUT 20 HIGH DIN 982 PF 20X1.5 AUT.SX	DE2015AL6SPFZABSX
5	5-BELTS PIPE FOR AUTOMATIC BELT TENSIONER TENSIONER	TT5/4478
6	SPACER FOR BELT TENSIONER	DT/2516
7	STRAIGHT GREASER	IN101XXDR
8	SPRING FOR BELT TENSIONER	MO/4456
9	5-BELTS COMPLETE PLATE BELT TENSIONER	PC/4474
10	5-BELTS PIVOT M20X1.5SX BELT TENSIONER	PT/4473
11	5-BELTS PIPE ON PLATE BELT TENSIONER	TR/4476



Rev.	Descrizione	Eseguita da	Data	Approvata da	Data



Disegnato da: **Diego** Data: **17/01/11** Scala: **1:10** Foglio: **1**

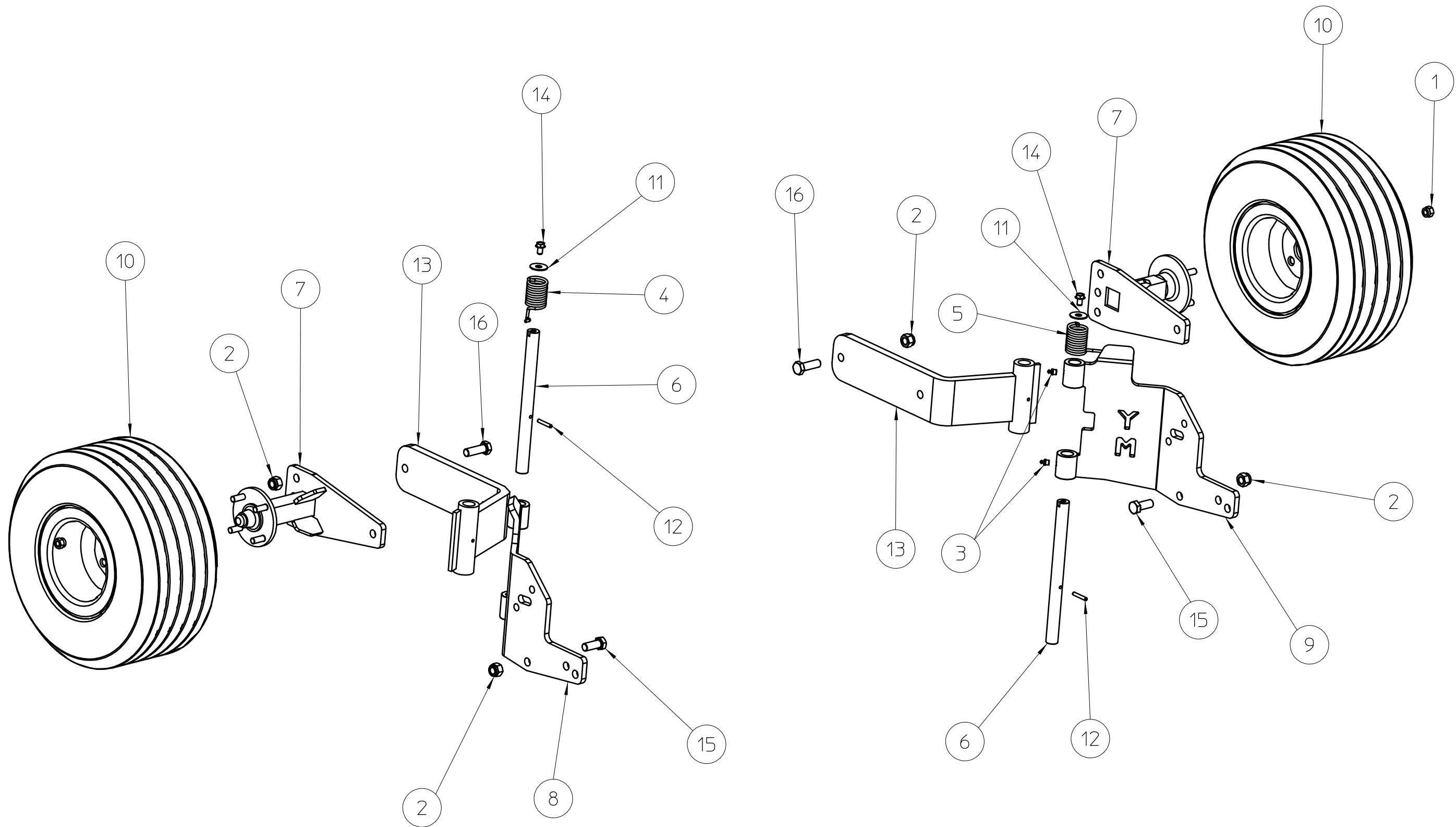
Descrizione: **Esplso rullo D. 193 TFB-Y-R-M-S TFH-F00.05.0111.000500**

Le informazioni contenute nel presente documento sono di proprietà della BERTI MACCHINE AGRICOLE SPA e non possono essere riprodotte o trasmesse a terzi in alcun modo senza esplicita approvazione scritta della BERTI MACCHINE AGRICOLE SPA o di un suo rappresentante debitamente autorizzato.

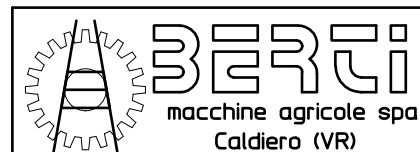


Roller D. 193 TFB/Y TFB/R TFB/S TFB/M TFH/F

POS.	Designation	220	250	270	285	300
1	EXT SEEGER RING 60	ASE060	ASE060	ASE060	ASE060	ASE060
2	INT. SEEGER RING 110	ASI110	ASI110	ASI110	ASI110	ASI110
3	SEAL	AT07009010	AT07009010	AT07009010	AT07009010	AT07009010
4	ROLLER BEARING	003.07	003.07	003.07	003.07	003.07
5	NUT EX. 12 HIGH	DE12AL6SPGN	DE12AL6SPGN	DE12AL6SPGN	DE12AL6SPGN	DE12AL6SPGN
6	NUT EX. 16 HIGH SELF-LOCKING	DE16AL6SPGZAB	DE16AL6SPGZAB	DE16AL6SPGZAB	DE16AL6SPGZAB	DE16AL6SPGZAB
7	OR JOINT 4400	GOR4400	GOR4400	GOR4400	GOR4400	GOR4400
8	OIL SEAL BOX	GP193/4489	GP193/4489	GP193/4489	GP193/4489	GP193/4489
9	STRAIGHT GREASER	IN101XXDR	IN101XXDR	IN101XXDR	IN101XXDR	IN101XXDR
10	RIGHT COMPLETE PLATE	PR193DX/4999	PR193DX/4999	PR193DX/4999	PR193DX/4999	PR193DX/4999
11	LEFT COMPLETE PLATE	PR193SX/4999	PR193SX/4999	PR193SX/4999	PR193SX/4999	PR193SX/4999
12	SLUDGE SCRAPER	RF062180	RF062180	RF062680	RF062830	RF062980
13	FLAT WASHER D. 12,5X36	RF1236FN	RF1236FN	RF1236FN	RF1236FN	RF1236FN
14	GROWER WASHER D. 12	RG12XXARN	RG12XXARN	RG12XXARN	RG12XXARN	RG12XXARN
15	WELDED LEVELING ROLLER	RL193220	RL193220	RL193270	RL193285	RL19300
16	SCRAPER SUPPORT	SRTBM220	SRTBM220	SRTBM270	SRTBM285	SRTBM300
17	SCREW TSPEI 12X35	V120353TF109N	V120353TF109N	V120353TF109N	V120353TF109N	V120353TF109N
18	SCREW TE 16x40	V160402TF109N	V160402TF109N	V160402TF109N	V160402TF109N	V160402TF109N



Rev.	Descrizione	Eseguita da	Data	Approvata da	Data

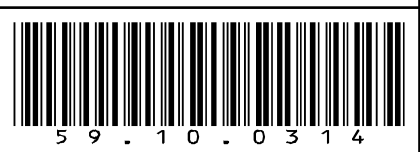


Disegnato da: **Diego** Data: **21/03/14** Scala: **1:10** Foglio: **1**

Descrizione: **Esplosione ruote sterzanti TFB/Y serie 2014**

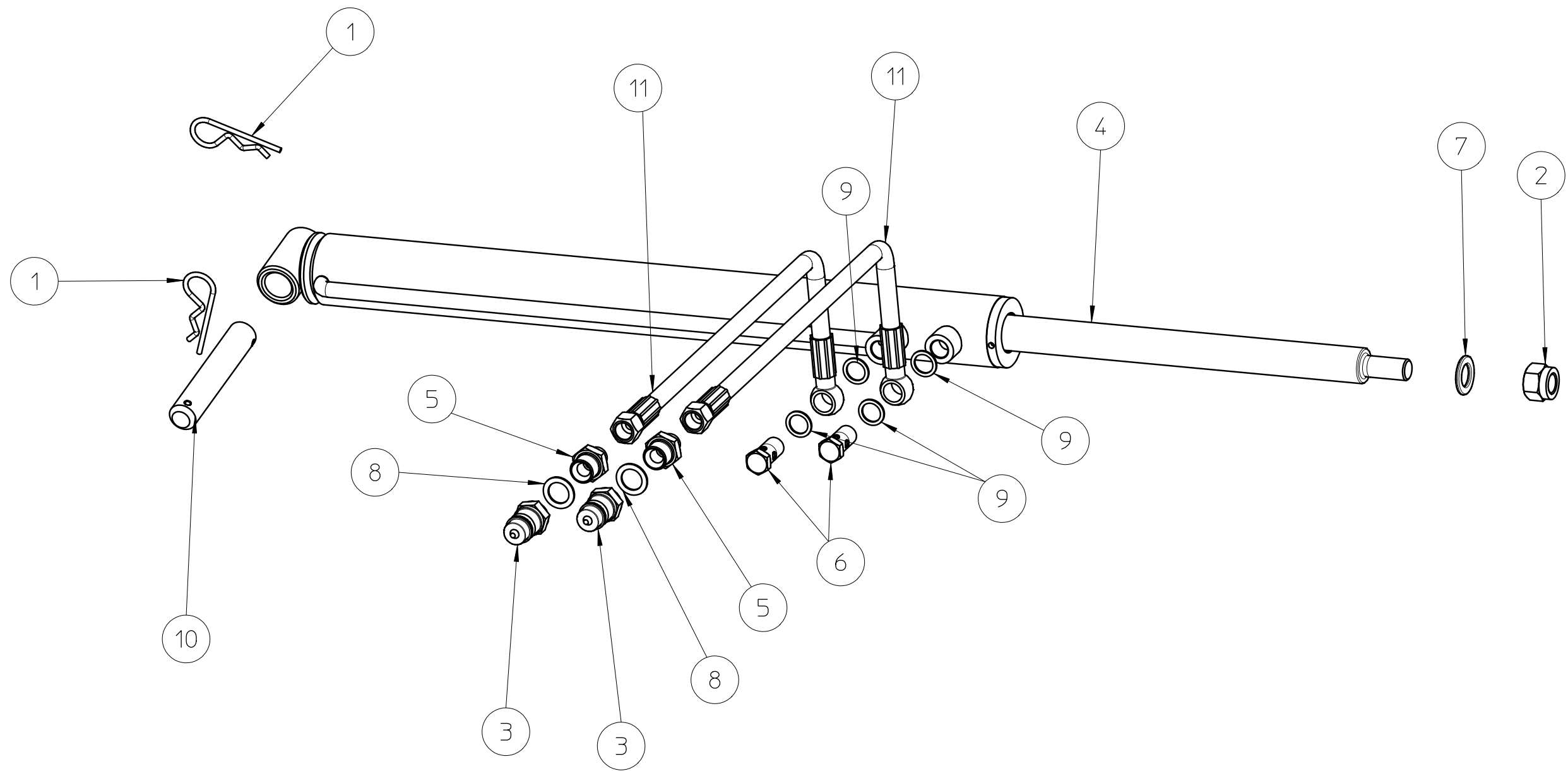
Le informazioni contenute nel presente documento sono di proprietà della BERTI MACCHINE AGRICOLE SPA e non possono essere riprodotte o trasmesse a terzi in alcun modo senza esplicita approvazione scritta della BERTI MACCHINE AGRICOLE SPA o di un suo rappresentante debitamente autorizzato.

Revisione: **59.10.031400**

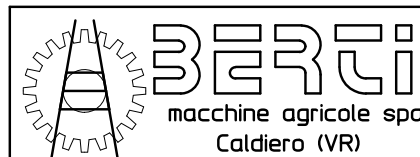


Steering wheels TFB/Y-M series 2014

Pos.	Description	TFB/Y 100-120-140-160-180-200-220-250 TFB/M 140-160-180-200-220-250-270-285-300
1	Self-locking hex. nut 12	DE12AL6SPGZAB
2	Self-locking hex. nut 16	DE16AL6SPGZAB
3	Straight greaser	IN101XXDR
4	Right spring	MD/2759
5	Left spring	MS/2760
6	Steering wheel pivot	PE/2583
7	Plate with steering wheel hub	PM/2580
8	Right welded plate	PSDX/7069
9	Left welded plate	PSSX/7069
10	Wheel	R460190
11	Oversized washer	RF1236FN
12	Spring plunger	SE06040
13	Steering wheel support	SR/2578
14	Screw te M10x16	V1001602TF109Z
15	Screw te M16x40	V160402TF088N
16	Screw te M16x50	V160502TF088N



Rev.	Descrizione	Eseguita da	Data	Approvata da	Data



Disegnato da: Diego
 Data: 21/03/14
 Scala: 1:4
 Foglio: 1
 Descrizione: Esploso oleodinamica TFB/Y 2014

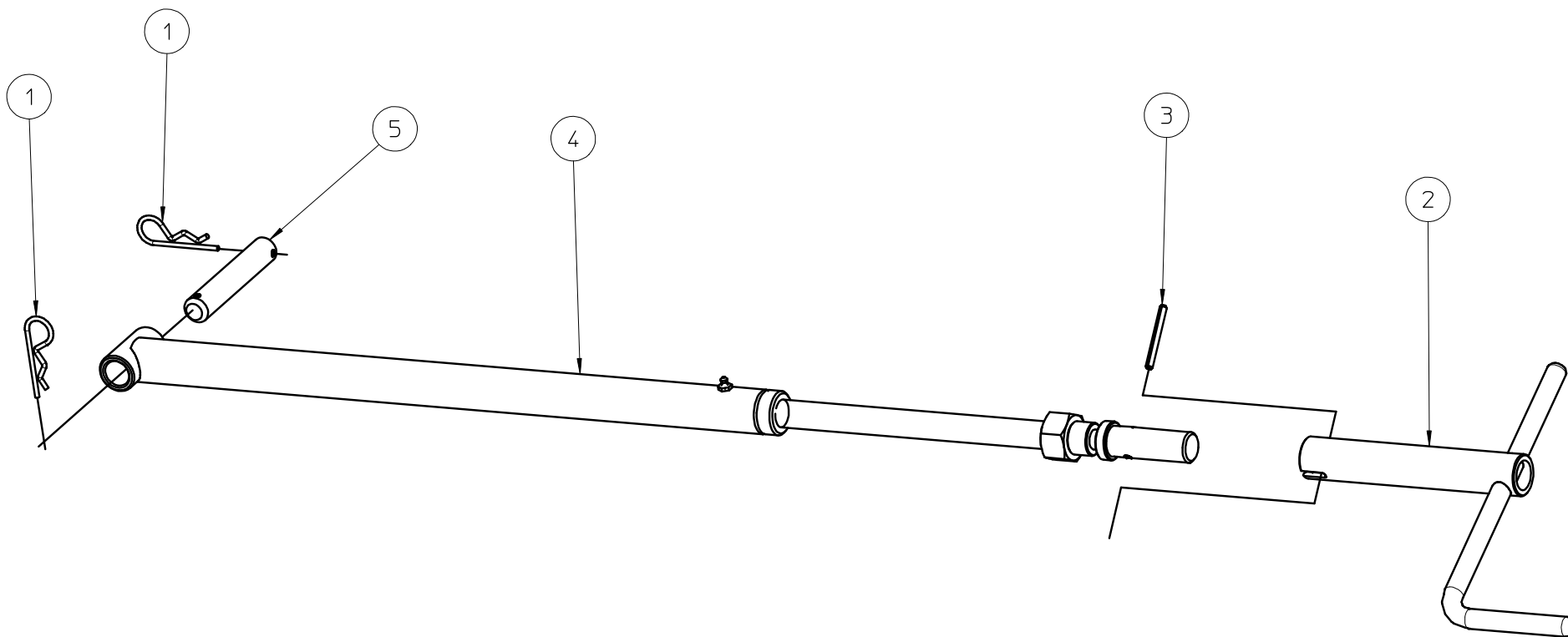
Codice: 59.12.031400
 Revisione:



Le informazioni contenute nel presente documento sono di proprietà della BERTI MACCHINE AGRICOLE SPA e non possono essere riprodotte o trasmesse a terzi in alcun modo senza esplicita approvazione scritta della BERTI MACCHINE AGRICOLE SPA o di un suo rappresentante debitamente autorizzato.

Pos.	Description	TFB/Y 100	TFB/Y 120	TFB/Y 140	TFB/Y 160-180-200	TFB/Y 220-250
1	Pin	CM04Z	CM04Z	CM04Z	CM04Z	CM04Z
2	Nut ex.18	DE18AL6SPGZAB	DE18AL6SPGZAB	DE18AL6SPGZAB	DE18AL6SPGZAB	DE18AL6SPGZAB
3	Rapid clutch	IR12MS	IR12MS	IR12MS	IR12MS	IR12MS
4	Jack	MI5028207/7224	MI5028L608	MI5028477/7157	MI5028L700	MI5028L815
5	Nipple	NR1238	NR1238	NR1238	NR1238	NR1238
6	Joint	RF38	RF38	RF38	RF38	RF38
7	Flat washer D.18	RP18XXFZ	RP18XXFZ	RP18XXFZ	RP18XXFZ	RP18XXFZ
8	Copper washer	RR12	RR12	RR12	RR12	RR12
9	Copper washer	RR38	RR38	RR38	RR38	RR38
10	Jack	SS/0430	SS/0430	SS/0430	SS/0430	SS/0430
11	Pipe	T14L1600GA/6029	T14L1600GA/6029	T14L1600GA/6029	T14L1600GA/6029	T14L1600GA/6029

Pos.	Description	TFB/M 140	TFB/M 160-180	TFB/M 200-220-250-270-285-300
1	Pin	CM04Z	CM04Z	CM04Z
2	Dado es.18	DE18AL6SPGZAB	DE18AL6SPGZAB	DE18AL6SPGZAB
3	Rapid clutch	IR12MS	IR12MS	IR12MS
4	Jack	MI5028L700	MI5028L700	MI5028L815
		-	MI5028L815	-
5	Nipple	NR1238	NR1238	NR1238
6	Joint	RF38	RF38	RF38
7	Flat washer D.10	RP18XXFZ	RP18XXFZ	RP18XXFZ
8	Copper washer	RR12	RR12	RR12
9	Copper washer	RR38	RR38	RR38
10	Jack	SS/0430	SS/0430	SS/0430
11	Pipe	T14L1600GA/6029	T14L1600GA/6029	T14L1600GA/6029

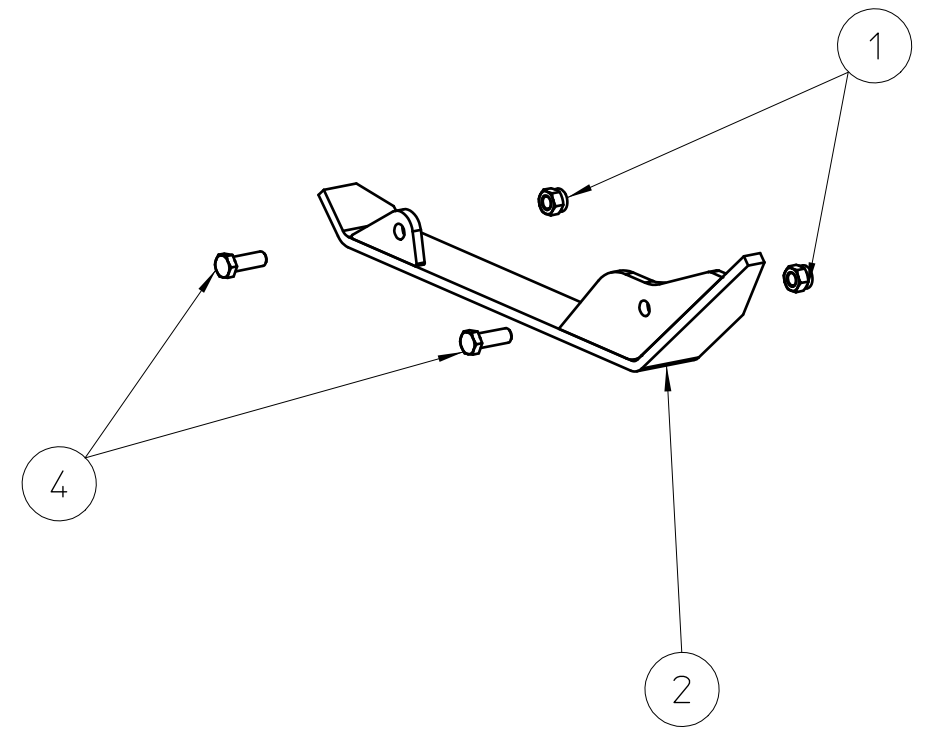
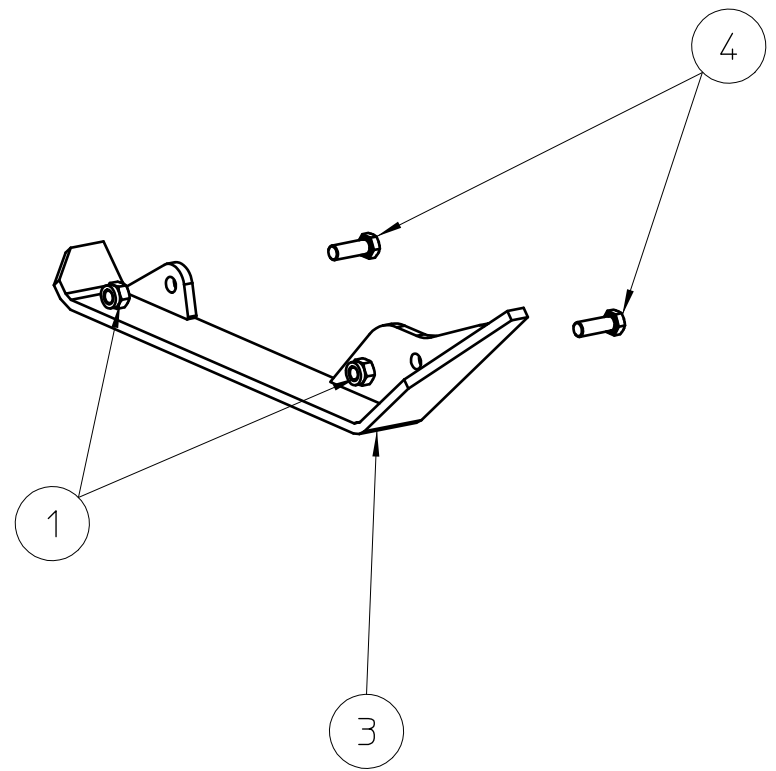


Smussi non quotati 0,5x45°	Raggi non quotati R=0,5	cod. 08.07.1112	rev. 00	
Tolleranze di forma e posizione secondo UNI 7226-73 Tolleranze generali non indicate foro H13-albero h13 lineari JS13 - angolari±30'	mod. TFB/Y			
 macchine agricole spa Caldiero (VR)	mat.	des. Esploso spostamento meccanico TFB/Y		
	data 05/11/12	dis.da Diego	app.da	

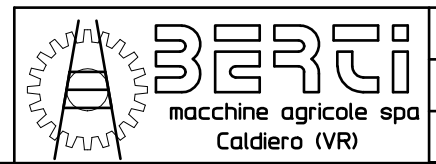
© Le informazioni contenute nel presente documento sono di proprietà della BERTI MACCHINE AGRICOLE SPA e non possono essere riprodotte o trasmesse a terzi in alcun modo senza esplicita approvazione scritta della BERTI MACCHINE AGRICOLE SPA o di un suo rappresentante debitamente autorizzato.

Pos.	Description	TFB/Y 100-120	TFB/Y 140-160-180-200	TFB/Y 220-250
1	Spring pin d. 4 zn	CM04Z	CM04Z	CM04Z
2	Handle for mechanical side shift zn	MSZ220/0259	MSZ220/0259	MSZ220/0259
3	Spring plunger D. 6X60	SE06060	SE06060	SE06060
4	Complete mechanical side shift	SM570/3893	SM700/3893	SM815/3893
5	Tiller side shift fastening pin	SS/0430	SS/0430	SS/0430

Pos.	Description	TFB/M 140	TFB/M 160-180	TFB/M 200-220-250	TFB/M 270-285-300
1	Spring pin d. 4 zn	CM04Z	CM04Z	CM04Z	CM04Z
2	Handle for mechanical side shift zn	MSZ220/0259	MSZ220/0259	MSZ220/0259	MSZ220/0259
		-	-	MSZ550/0259	MSZ800/0259
3	Spring plunger D. 6X60	SE06060	SE06060	SE06060	SE06060
4	Complete mechanical side shift	SM700/3893	SM700/3893	SM815/3893	SM815/3893
		-	SM815/3893	-	-
5	Tiller side shift fastening pin	SS/0430	SS/0430	SS/0430	SS/0430



Rev.	Descrizione	Eseguita da	Data	Approvata da	Data



Disegnato da: **Diego** Data: **28/11/14** Scala: **1:7** Foglio: **1**  Codice: **22.11.1114.00**
 Descrizione: **Esplso slitte TFB/M 2014**
 Le informazioni contenute nel presente documento sono di proprietà della BERTI MACCHINE AGRICOLE SPA e non possono essere riprodotte o trasmesse a terzi in alcun modo senza esplicita approvazione scritta della BERTI MACCHINE AGRICOLE SPA o di un suo rappresentante debitamente autorizzato.

22.11.1114.00



Pos.	Designation	Code
1	HEX NUT 14 HIGH SELF-LOCKING	DE14AL6SPGZAB
2	LEFT SKID	SLSX/6843
3	RIGHT SKID	SLSX/6843S
4	SCREW TE M14x40 BLACK	V140402PF109N