

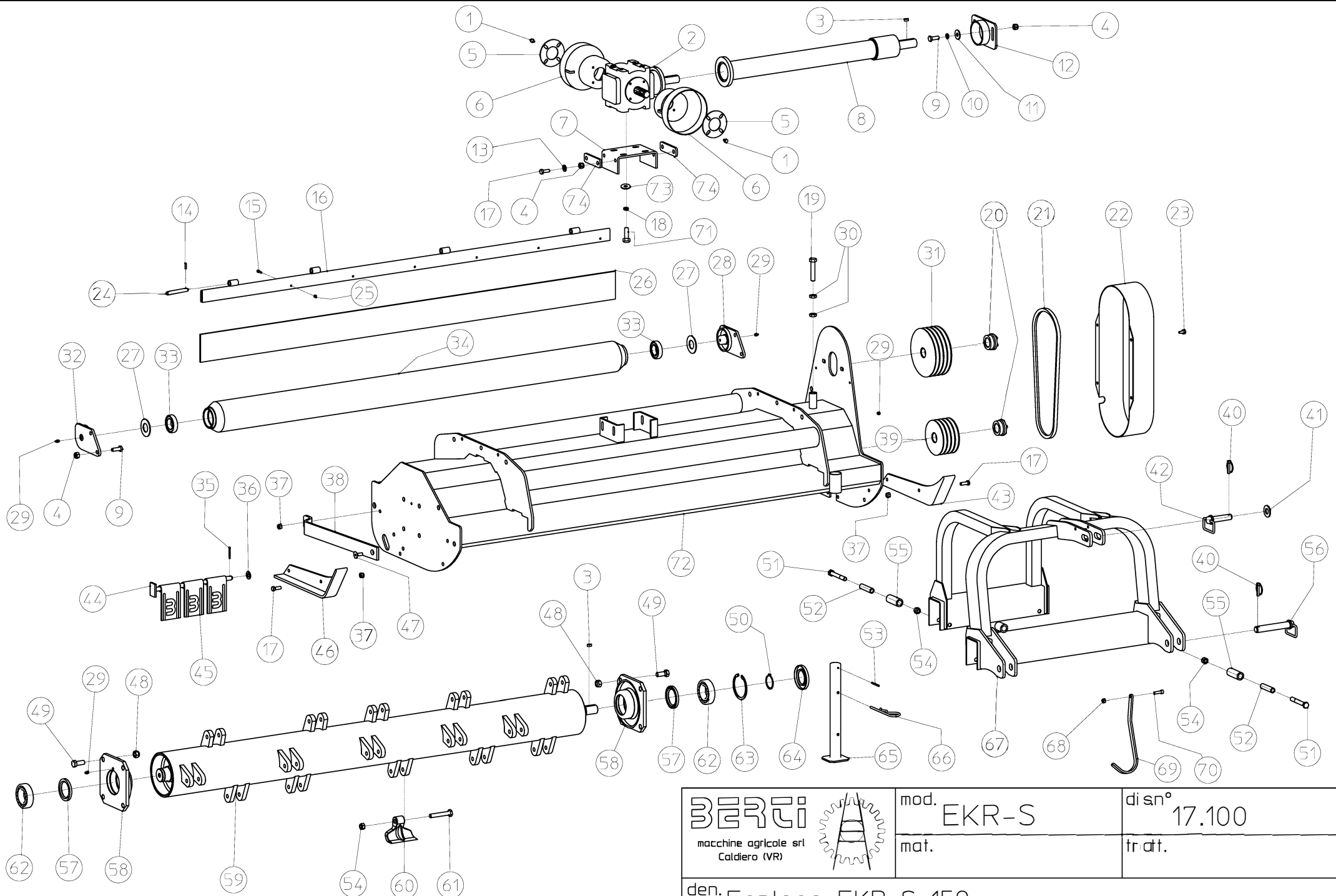


# EKR-S

BERTI SPARE PARTS REFERENCE GUIDE

---

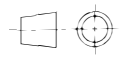




 macchine agricole srl Caldiero (VR)	mod. <b>EKR-S</b>	disn° <b>17.100</b>
	mat.	tr.att.

den. <b>Esploso EKR-S 159</b>		
data 20/06/2005	dis. ANDREA	codice 17.100

© Le informazioni contenute nel presente documento sono di proprietà della BERTI MACCHINE AGRICOLE SRL e non possono essere riprodotte o trasmesse a terzi in alcun modo senza esplicita approvazione scritta della BERTI MACCHINE AGRICOLE SRL o di un suo rappresentante debitamente autorizzato.



## PARTS LIST: Mod. EKR/S 180-250 (serie 2004)

fig. 17.100

BERTI Macchine Agricole S.P.A.

Pos.	DESCRIPTION	EKR/S 180	EKR/S 200	EKR/S 220	EKR/S 250		
1	BOLT, 10.9	V0801202TF109Z	V0801202TF109Z	V0801202TF109Z	V0801202TF109Z		
2	GEARBOX	*	*	*	*		
3	KEY 12x8x20	CH1208020	CH1208020	CH1208020	CH1208020		
4	NUT M14 self-locking	DE14AL6SPGZAB	DE14AL6SPGZAB	DE14AL6SPGZAB	DE14AL6SPGZAB		
5	PLATE	FR/1338	FR/1338	FR/1338	FR/1338		
6	PTO CONE	CC005	CC005	CC005	CC005		
7	SUPPORT FOR GEARBOX	PF/0366	PF/0366	PF/0366	PF/0366		
8	EXTENSION, complete	*	*	*	*		
9	BOLT	V140402TF088N	V140402TF088N	V140402TF088N	V140402TF088N		
10	WASHER	RG14XXARN	RG14XXARN	RG14XXARN	RG14XXARN		
11	WASHER	RF1442FN	RF1442FN	RF1442FN	RF1442FN		
12	BELTS ADJUSTER	PT08/0010	PT08/0010	PT08/0010	PT08/0010		
13	WASHER	RP14XXARN	RP14XXARN	RP14XXARN	RP14XXARN		
14	ELASTIC PIN	SE06026	SE06026	SE06026	SE06026		
15	BOLT	V060252TF088N	V060252TF088N	V060252TF088N	V060252TF088N		
16	HOLDER FOR RUBBER	PG1720/0285	PG1980/0285	PG2120/0285	PG2420/0285		
17	BOLT	V120352TF088N	V120352TF088N	V120352TF088N	V120352TF088N		
18	WASHER	RG16XXARN	RG16XXARN	RG16XXARN	RG16XXARN		
19	BOLT	V180902TF088N	V180902TF088N	V180902TF088N	V180902TF088N		
20	CENTRE LOCK	CA4065	CA4065	CA4065	CA4065		
21	BELT	993.02	993.02	993.02	993.02		
22	COVER	CT/0867	CT/0867	CT/0867	CT/0867		
23	BOLT, 10.9	V100162TF109Z	V100162TF109Z	V100162TF109Z	V100162TF109Z		
24	PIN	PE0150110	PE0150110	PE0150110	PE0150110		
25	NUT M6	DE06AL6SPGZ	DE06AL6SPGZ	DE06AL6SPGZ	DE06AL6SPGZ		
26	RUBBER	LT06130	LT06130	LT06130	LT06130		
27	WASHER FOR PROTECTION	RP4080	RP4080	RP4080	RP4080		
28	LH ROLLER BRACKET	PR139SX/2205	PR139SX/2205	PR139SX/2205	PR139SX/2205		
29	GREASE NIPPLE	IN101XXDR	IN101XXDR	IN101XXDR	IN101XXDR		
30	NUT M18	DE18BA6SPGN	DE18BA6SPGN	DE18BA6SPGN	DE18BA6SPGN		
31**	PULLEY	PG212G4	PG212G4	PG212G4	PG212G4		
32	RH ROLLER BRACKET	PR139DX/2205	PR139DX/2205	PR139DX/2205	PR139DX/2205		
33	BEARING	003.12	003.12	003.12	003.12		
34	LEVELING ROLLER	RL180/2225	RL200/2225	RL220/2225	RL250/2225		
35	ELASTIC PIN	CF050060	CF050060	CF050060	CF050060		
36	WASHER	RP18XXFN	RP18XXFN	RP18XXFN	RP18XXFN		
37	NUT M12, self-locking	DE12AL6SPGZAB	DE12AL6SPGZAB	DE12AL6SPGZAB	DE12AL6SPGZAB		
38	PROTECTION	PL100600	PL100600	PL100600	PL100600		
39**	PULLEY	PG150G4	PG150G4	PG150G4	PG150G4		
40	PIN	SSX10Z	SSX10Z	SSX10Z	SSX10Z		
41	WASHER	RF2653FZ	RF2653FZ	RF2653FZ	RF2653FZ		
42	TOP LINK PIN	SP251190Z	SP251190Z	SP251190Z	SP251190Z		
43	LH SKID	SLSX/1492	SLSX/1492	SLSX/1492	SLSX/1492		
44	BAR FOR FLAPS	PE0181830	PE0182030	PE0182230	PE0182530		
45	FLAP	PA04/2217	PA04/2217	PA04/2217	PA04/2217		
46	RH SKID	SLDX/1492	SLDX/1492	SLDX/1492	SLDX/1492		
47	BOLT, 10.9	V120253TF109N	V120253TF109N	V120253TF109N	V120253TF109N		
48	NUT M18, self-locking	DE18AL6SPGZAB	DE18AL6SPGZAB	DE18AL6SPGZAB	DE18AL6SPGZAB		



