

**FARMGARD**  
ROBUST MACHINERY THAT WORKS

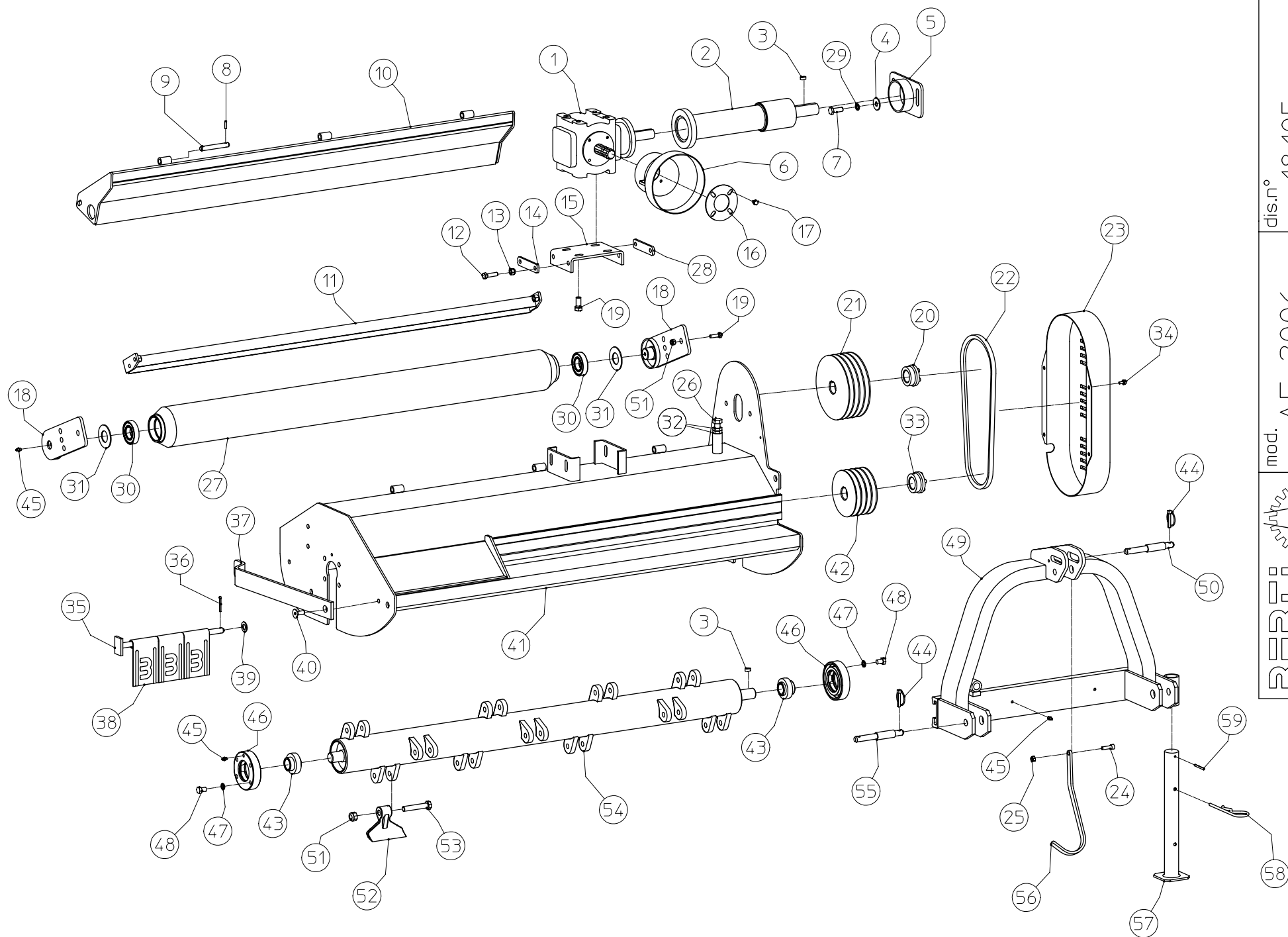


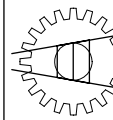
**AF**

**BERTI SPARE PARTS REFERENCE GUIDE**

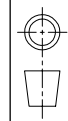
---





 BERTI macchine agricole srl Caldero (VR)	mod. <b>AF 2006</b> mat.	dis.n° <b>18.105</b> tratt.
	data <b>04/02/2006</b>	dis. <b>ANDREA</b>

den. Esploso AF 145-200 con cofano



© Le informazioni contenute nel presente documento sono di proprietà della BERTI MACCHINE AGRICOLE SRL e non possono essere riprodotte o trasmesse a terzi in alcun modo senza esplicita approvazione scritta della BERTI MACCHINE AGRICOLE SRL o di un suo rappresentante debitamente autorizzato.

## Parts List:

Mod. AF 2006 145-200

fig. 18.105

BERTI MACCHINE AGRICOLE S.p.A.

Pos.	ITEM	AF 145	AF 160	AF 180	AF 200			
1	GEARBOX	*	*	*	*			
2	EXTENSION SHAFT complete	*	*	*	*			
3	KEY 12x8x20	CH1208020	CH1208020	CH1208020	CH1208020			
4	WASHER 14x42	RF1442FN	RF1442FN	RF1442FN	RF1442FN			
5	BELTS ADJUSTER	PT08/0010	PT08/0010	PT08/0010	PT08/0010			
6	PTO CONE	CC004	CC004	CC004	CC004			
7	SCREW TE M14x40	V140402TF088N	V140402TF088N	V140402TF088N	V140402TF088N			
8	ELASTIC PIN	SE06026	SE06026	SE06026	SE06026			
9	PIN	PE0150110	PE0150110	PE0150110	PE0150110			
10	REAR HOOD	CO145/3579	CO160/3579	CO180/3579	CO200/3579			
11	SCRAPER	PC145/3576	PC160/3576	PC180/3576	PC200/3576			
12	SCREW TE M12x45	V120452TF088N	V120452TF088N	V120452TF088N	V120452TF088N			
13	NUT M12	DE12AL6SPGZAB	DE12AL6SPGZAB	DE12AL6SPGZAB	DE12AL6SPGZAB			
14	PLATE	PF07/2104	PF07/2104	PF07/2104	PF07/2104			
15	PLATE	PF/0365	PF/0365	PF/0365	PF/0365			
16	FLANGE	FRZ/1338	FRZ/1338	FRZ/1338	FRZ/1338			
17	SCREW M8x12	V0801202TF109Z	V0801202TF109Z	V0801202TF109Z	V0801202TF109Z			
18	ROLLER BRACKET	PR/2204	PR/2204	PR/2204	PR/2204			
19	SCREW TE M16x35	V160352TF088N	V160352TF088N	V160352TF088N	V160352TF088N			
20	CENTRE LOCK 35x65	CA3565	CA3565	CA3565	CA4065			
21	PULLEY	PG200G3ML	PG200G3ML	PG200G3ML	PG200G4			
22	BELT SPB 1250	993.16	993.16	993.16	993.16			
23	COVER	CT/0818	CT/0818	CT/0818	CT/0818			
24	SCREW TCEI M10x35	V100351TF088N	V100351TF088N	V100351TF088N	V100351TF088N			
25	NUT M10	DE10AL6SPGZAB	DE10AL6SPGZAB	DE10AL6SPGZAB	DE10AL6SPGZAB			
26	SCREW TE M18x90	V180902TF088N	V180902TF088N	V180902TF088N	V180902TF088N			
27	LEVELING ROLLER	RL145/1293	RL160/2225	RL180/2225	RL200/2225			
28	PLATE	PF07/2104	PF07/2104	PF07/2104	PF07/2104			
29	GROWER WASHER D.14	RG14XXARN	RG14XXARN	RG14XXARN	RG14XXARN			
30	BEARING	003.12	003.12	003.12	003.12			
31	WASHER	RP4080	RP4080	RP4080	RP4080			
32	NUT M18	DE18BA6SPGN	DE18BA6SPGN	DE18BA6SPGN	DE18BA6SPGN			
33	CENTRE LOCK 40x65	CA4065	CA4065	CA4065	CA4065			
34	SCREW M8x16	V080162TF109N	V080162TF109N	V080162TF109N	V080162TF109N			
35	BAR FOR FRONT FLAPS	PE0181480	PE0181630	PE018830	PE0182030			
36	ELASTIC PIN	CF050060	CF050060	CF050060	CF050060			
37	SIDE PROTECTION	PL100600	PL100600	PL100600	PL100600			
38	FLAP	PA04/2217	PA04/2217	PA04/2217	PA04/2217			
39	WASHER D.18	RP18XXFN	RP18XXFN	RP18XXFN	RP18XXFN			
40	SCREW TSPEI M12x25	V120253TF109N	V120253TF109N	V120253TF109N	V120253TF109N			
41	CHASSIS	CCAF145COF	CCAF160COF	CCAF180COF	CCAF200COF			
42	PULLEY	PG150G3	PG150G3	PG150G3	PG150G4			
43	BEARING	003.13	003.13	003.13	003.13			

