

**VANGATRICE  
SPADE CULTIVATOR  
SPATENMACHINE  
ROTOBÊCHE**

**MOD. NG-NGR**

**CATALOGO RICAMBI  
SPARE PARTS LIST  
ERSATZTEILE KATALOG  
CATALOGUE PIECES DE RECHANGE  
CATALOGO PIEZAS DE RECAMBIO**



1955

**CELLI S.p.A.**

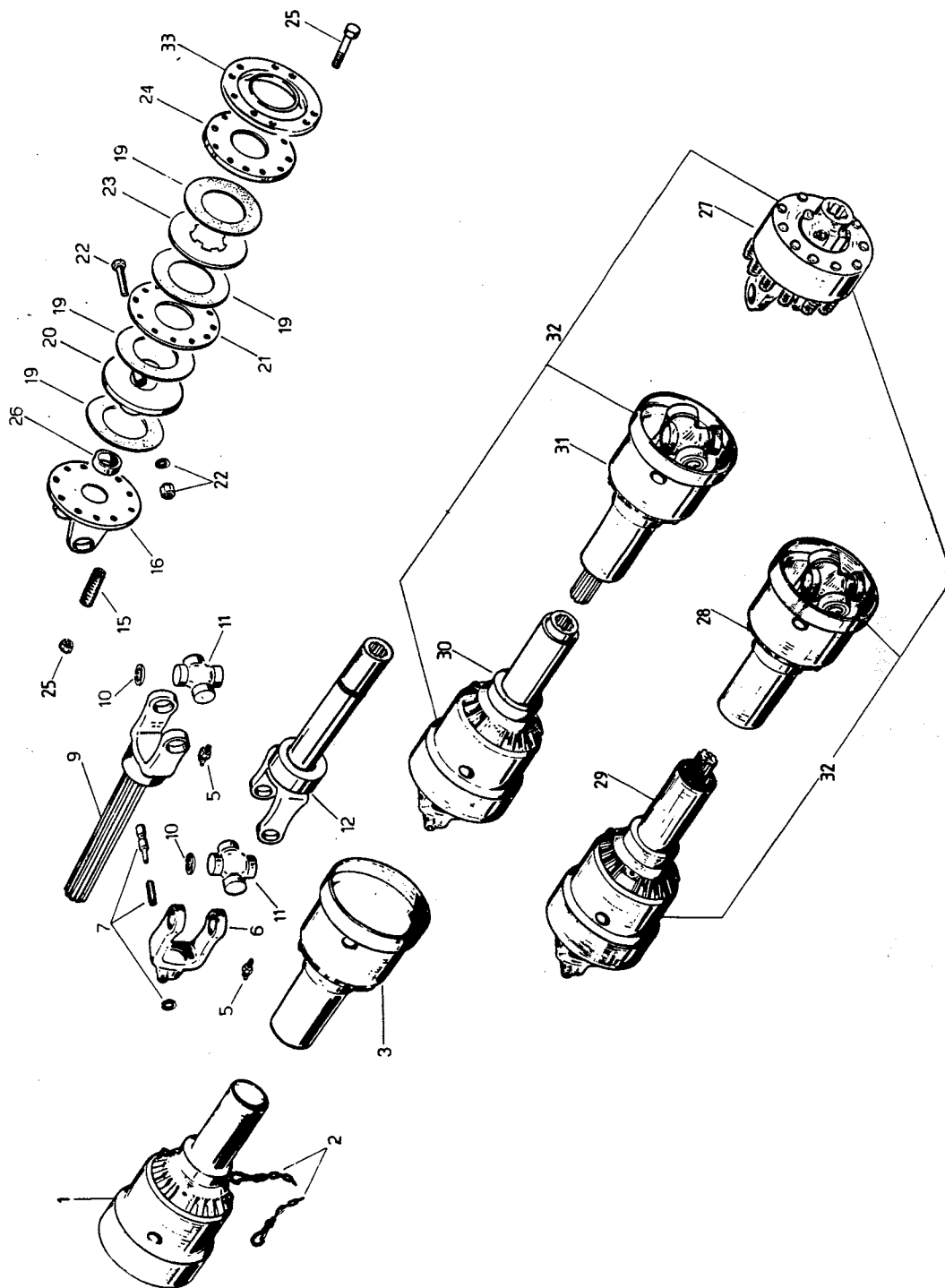
Via Zignola, 2/b

47100 FORLI' (ITALY)

Telefono (0543) 754145

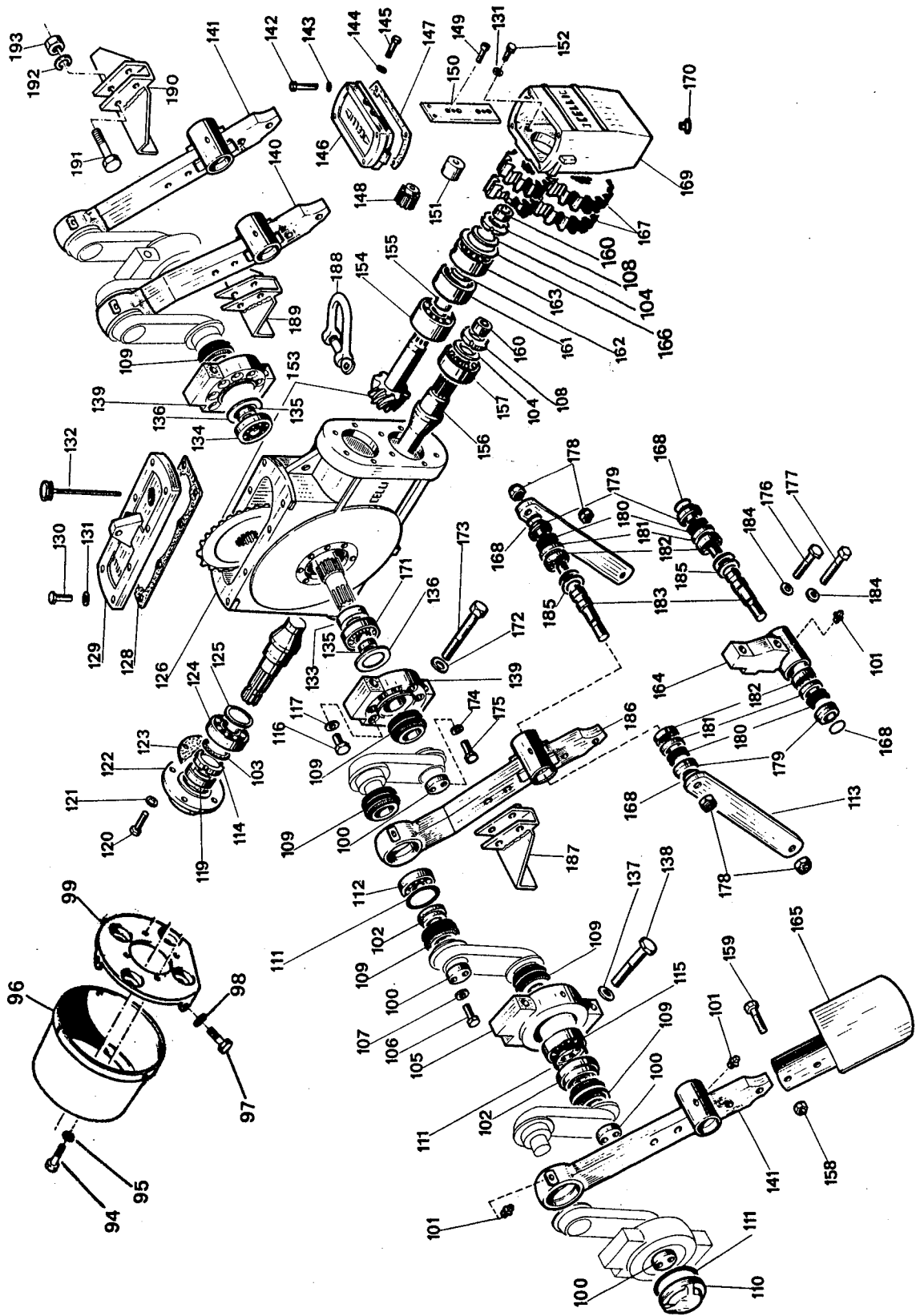
Telex 550506 CELLI I

TELEFAX (0543) 756698



- PER I RICAMBI DELL' ALBERO CARDANICO SPECIFICARE LA MARCA
- FOR THE MAIN-SHAFT SPARE PARTS PLS STATE ITS MAKE
- POUR LES PIÈCES DE RECHANGE DU CARDAN SVP SPECIFIER LA MARQUE
- UM DIE GELENKWELLE ZU ERSETZEN BITTE DIE HERSTELLERSMARKE ANGEBEDEN

Pos.	CODICE	DESCRIZIONE	DESCRIPTION	DESCRIPTION	BEZEICHUNG
1	018201	PROTEZIONE ESTER.SERIE 10	OUTER GUARD	PROTECTION EXTERIEURE	AUSSERER WELLENSCHUTZ
2	018148	CATENA x PROTEZIONE	CHAIN	CHAINE	KETTE
3	018200	PROTEZIONE INTER.SERIE 10	INNER GUARD	PROTECTION INTERIEURE	INNERER WELLENSCHUTZ
5	018144	INGRASS. CROCIERA 10x1-45	GREASE NIPPLE	GRAISSEUR	SCHMIERNIPPEL
6	018194	FORCELLA PUL.1"3/8 Z21 10	FORK	MACHOIRE 1"3/8 Z21 10	GABELSTUECK
	018193	FORCELLA PULS 1"3/8 Z6 10	FORK	MACHOIRE 1"3/8 Z6 Z6 10	GABELSTUECK
	018195	FORCELLA PUL.1"3/4 Z6 10	FORK	MACHOIR 1"3/4 Z6 10	GABELSTUECK
7	018197	PULSANTE COMP.SERIE 10	PUSH BUTTON	POUSSOIR	DRUCKKNOPF
9	--	non fornibile singolarmente	not supplied separately	impossible de l'avoir separetement	nicht als einzelheit
10	018196	ANELLO SEEGER SERIE 10	SNAP RING	CIRCLIPS INTERIEUR	SEEGERRING
11	018192	CROCIERA SERIE 10 41210	SPIDER ASSY	CROISSILLON COMPL.	GELENKKREUZ KPL.
12	--	non fornibile singolarmente	not supplied separately	impossible de l'avoir separetement	nicht als einzelheit
15	020057	MOLLA FRIZIONE FILO d.7	PRESSUR SPRING	RESSORT DE PRESSION	DRUCKFEDER
16	020055	DISCO CON FORCELLA SER.10	FORK WITH FLANGE	MACHOIR A PLATEAU	GABELSTUECK M. FLANSCH
19	020003	FERODO FF2-FF4	LINING	DISQUE DE FROTTEMENT	KUPPLUNGSCHIEBE
20	020056	MOZZO 1"3/4 FF4	DISC	DISQUE	SCHUTZSCHEIBE
21	020052	PIATTO INTERMEDIO FF4	MIDDLE DISC	DISQUE MITOYEN	MITTLERE SCHEIBE
22	020010	BULLONE MORSETTO 1"3/4	BOLT COMPLETE	BOULON COMPLET	BOLZEN KPL.
	020032	BULLONE MORSETTO 1"3/8	BOLT COMPLETE	BOULON COMPLET	BOLZEN KPL.
23	020045	DISCO CON ESAGONO FF4	MIDDLE FRICTION DISC PLAT	MITOYE PORTE DISQUES	MITTLERE REIBSCHEIBE
24	020047	DISCO INT. PIANO FF2-FF4	INTERNAL DISC	DISQUE INTERMEDIAIRE	INNENSCHIEBE
25	020043	BULLONE COMPL x MOLLA FF4	BOLT	VIS	SCHRAUBE
26	020048	BUSSOLA x MOZZO FRIZIONE	BUSH	BAGUE	BUCHSE
27	020058	FRIZIONE FF4 1"3/4 SR.10	CLUTCH	EMBAYAGE	KUPPLUNG KPL.
28	018199	SEMIALBERO FEMMINA 410	PTO DRIVE SHAFT FEMALE	DEMI TRANSMISSION FEMELLE	RUTSCHKUPPLUNG
29	018198	SEMIALBERO MASCHIO 410	PTO DRIVE SHAFT MALE	DEMI TRANSMISSION MALE	HALBE GELENKWELLE
30	019076	SEMIALB F. L=900 1"3/8 Z21	DRIVE SHAFT FEMALE	SEMI ARBRE FEMELLE	HALBE G. SCHLEPPERSEITE
	019077	SEMIALB F. L1000 1"3/8 Z21	DRIVE SHAFT FEMALE	SEMI ARBRE FEMELLE	HALBE G. SCHLEPPERSEITE
	019074	SEMIALB F. L=900 1"3/4 Z6	DRIVE SHAFT FEMALE	SEMI ARBRE FEMELLE	HALBE G. SCHLEPPERSEITE
	019075	SEMIALB F. L1000 1"3/4 Z6	DRIVE SHAFT FEMALE	SEMI ARBRE FEMELLE	HALBE G. SCHLEPPERSEITE
	019070	SEMIALB F. L=900 1"3/8 Z6	DRIVE SHAFT FEMALE	SEMI ARBRE FEMELLE	HALBE G. SCHLEPPERSEITE
	019071	SEMIALB F. L1000 1"3/8 Z6	DRIVE SHAFT FEMALE	SEMI ARBRE FEMELLE	HALBE G. SCHLEPPERSEITE
31	019072	SEMIALB MASCHIO L=900 410	DRIVE SHAFT MALE	SEMI ARBRE MALE	HALBE G. MASCHINENSEITE
	019073	SEMIALB MASCHIO L1000 410	DRIVE SHAFT MALE	SEMI ARBRE MALE	HALBE G. MASCHINENSEITE
32	018221	ALB.410 L1000 +FF4 1"3/4 Z6	DRIVE SHAFT	ARBRE A CARDAN	GELENKWELLE
	018191	ALB.410 L1000 +FF4 1"3/8 Z6	DRIVE SHAFT L1000 +FF4 T6	CARDAN L1000 +FF4 1"3/8 C6	GELENKWELLE L1000 FF4 Z 6
	018219	ALB.410 L=900 +FF4 1"3/4 Z6	DRIVE SHAFT	ARBRE A CARDAN	GELENKWELLE
	018202	ALB.410 L=900 +FF4 1"3/8 Z6	DRIVE SHAFT L=900 +FF4	ARBRE A CARDAN L=900 +FF4	GELENKWELLE L=900 +FF4
	018220	ALB.410 L900 +FF4 1"3/8 Z21	DRIVESHAFT L900 +FF T21	CARDAN L900 +FF4 1"3/8 D21	GELENKWELLE L900 1"3/8Z21
	018222	ALB410 L1000 +FF4 1"3/8 Z21	DRIVE SHAFT L=1000 +FF4	ARBRE A CARDAN L=1000 +FF4	GELENKWELLE L=1000 +FF4
33	020046	PIATTO STRIN. EST FF2-FF4	PRESSURE PLATE	DISQUE DE PRESSION	DRUCKSCHEIBE





# MODELLO NG

Tavola  
NG 20 01 2/4  
Data ultimo aggiornamento  
29/11/93

Pos.	CODICE	DESCRIZIONE	DESCRIPTION	DESCRIPTION	BEZEICHUNG
94	014278	VITE TE 10x1,25x16 5740	BOLT	VIS	SCHRAUBE
95	011002	GROWER RETT RINF M 10	SPRING WASHER	RONDELLE GROWER	UNTERLEGSSCHEIBE
96	124505	CUFFIA PROTEZ. FRIZIONE	CLUTCH GUARD	PROTECTION D'EMBAYAGE	GELENKWELLE-SCHUTZ
97	014284	VITE TE 8x1,25x16 znt5739	BOLT	VIS	SCHRAUBE
98	010023	RONDELLA PIANA M 8 ZNT	WASHER	RONDELLE	SCHEIBE
99	161500	SUPPORTO PORTA CUFFIA	CLUTCH GUARD SUPPORT	SUPPORT PROTECTION	HALTERUNG F. GELENKWELLE
100	823509	RONDELLA BLOCC MANOV 3 F.	RETAINING DISC 3 HOLES	RONDELLE AVEC TROUS	SCHEIBE MIT 3 LOCH
101	022060	TAPPO CONICO 1/4 GAS	OIL PLUG	BOUCHON DE NIVEAU D'HUILE	OELSCHRAUBE
	022009	TAPPO 1/4 GAS TESTA ESAG.	OIL PLUG	BOUCHON DE VIDANGE	OELSCHRAUBE
102	822518	GHIERA SUPPORTO DI BANCO	MAIN SUPPORT THREADED LOCK RING	ECROU	NUTMUTTER
103	811510	SPESS.ITT 50,2x59,8x1	SPACER 50x60x1 mm.	EPAISSEUR 50x60x1 mm.	BEILAGSCHEIBEN 50x60x1 mm
104	811514	SPESS.ITT 55,2x67,7x1	SPACER 55x68x1 mm.	EPAISSEUR 55x68x1 mm.	SCHEIBEN 55x68x1 mm.
105	822517	SUPPORTO DI BANCO	MAIN SUPPORT	PALIER	HALTERUNG
106	014210	VITE TE 14x1,5x30 5740	BOLT	VIS	SCHRAUBE
107	011016	ROSETTA OND M 14 DIN 137B	SPRING WASHER M 14 DIN 137 B	RONDELLE GROWER M 14 DIN 137 B	RING GROWER M 14 DIN 137B
108	005014	GHIERA MONTAGGIO d.55x2	THREADED LOCK RING 55x2	ECROU 55x2	NUTMUTTER 55x2
109	871504	GRUPPO DI TENUTA d.99	GROUP SEAL	GROUPE GARNITURES	DICHTUNGSGRUPPE
110	821506	COPERCHIO SUPP BANCO LAT	LATERAL SUPPORT COVER	COUVERCLE	DECKEL
111	007139	OR 4500 126,6 x 3,53	O RING 4500	JOINT D'ETANCHEITE OR 4500	DICHTRING OR 4500
112	003016	CUSCINETTO 6312 C3	BALL BEARING 6312	ROULEMENT 6312	KUGELLAGER 6312
113	823513	ASTA GUIDA BIELLA	CONNECTING ROD ARM	BRAS DE BIELLE	PLEUELSTANGE
114	005013	GHIERA MONTAGGIO d.50x1,5	THREADED LOCK RING 50x1,5	ECROU 50x1,5	NUTMUTTER 50x1,5
115	003016	CUSCINETTO 6312 C3	BALL BEARING 6312	ROULEMENT 6312	KUGELLAGER 6312
116	014220	VITE TE 10x1,25x50 5738	BOLT	VIS	SCHRAUBE
117	011012	ROSETTA OND M 10 DIN 137B	SPRING WASHER	RONDELLE	FEDERRING
119	007152	PARAOLIO 45x65x10 RP	OIL SEAL	JOINT D'HUILE	SIMMERRING
120	014205	VITE TE 10x1,25x25 5740	BOLT	VIS	SCHRAUBE
121	011002	GROWER RETT RINF M 10	SPRING WASHER	RONDELLE GROWER	UNTERLEGSSCHEIBE
122	821505	COPERCHIO ANTERIORE NG	FRONT COVER	COUVERCLE COMMANDER REF.	DECKEL
	821509	COPERCHIO ANTERIORE NG	FRONT COVER	COUVERCLE ANT.	DECKEL
123	824500	GUARNIZIONE COP ANTERIORE	GASKET	JOINT PAPIER	DICHTUNG
124	003124	CUSCINETTO 32210	ROLLER BEARING 32210	ROULEMENT 32210	KUGELLAGER 32210
125	811503	SERIE SPESSORI d.50xd.60	SET OF SPACERS 50x60	SERIE D'EPAISSEURS 50x60	BELAGSCHEIBE 50x60
126	821501	SCATOLA GRUPPO CONICO	GEARBOX	BOITE DE VITESSE	GETRIEBEGEHAUSE
128	824502	GUARNIZIONE COP SUPERIORE	GASKET	JOINT PAPIER	DICHTUNG
129	821504	COPERCHIO SUPER SCATOLA	UPPER GEARBOX COVER	COUVERCLE	DECKEL
130	014150	VITE TE 10x1,25x35 5740	BOLT	VIS	SCHRAUBE
131	011002	GROWER RETT RINF M 10	SPRING WASHER	RONDELLE GROWER	UNTERLEGSSCHEIBE
132	022068	TAPPO 3/4 ASTA L=270	PLUG	BOUCHON	VERSCHLUSS
133	823507	DISTANZIALE CORONA d88,9	CROWNWHEEL BEARING SPACE	ENTRETOISE	DISTANZSTUCK
134	003125	CUSCINETTO 30312	ROLLER BEARING 30312	ROULEMENT 30312	KUGELLAGER 30312
135	823508	DIST. MANOVELLA d.76 sp.10 L=7,5	CRANK SHAFT SPACER	ENTRETOISE	DISTANZSTUCK
136	811506	SERIE SPESSORI d.105xd130	SET OF SPACERS 105x130	SERIE D'EPAISSEURS 105x130	BEILAGSCHEIBEN 105x130
137	011021	ROSETTA OND M 16 DIN 137B	SPRING WASHER M 16 DIN 137 B	RONDELLE GROWER M 16 DIN 137 B	RING GROWER M 16 DIN 137B
138	014182	VITE TE 16x1,5x110 5738	BOLT	VIS	SCHRAUBE
139	822515	SUPPORTO SCATOLA	GEARBOX SUPPORT	PALIER DE LA BOITE DE VITESSE	HALTERUNG
140	861504	BIELLA PIEGATA DESTRA	OFFSET RHS CONROD	BIELLE DROITE	RECHTES PLEUEL
141	861503	BIELLA DIRITTA	STRAIGHT CONROD, COMPLETE	BIELLE	PLEUEL
142	014226	VITE TE 10x1,25x65 5738	BOLT	VIS	SCHRAUBE
143	011012	ROSETTA OND M 10 DIN 137B	SPRING WASHER	RONDELLE	FEDERRING
144	011012	ROSETTA OND M 10 DIN 137B	SPRING WASHER	RONDELLE	FEDERRING
145	014218	VITE TE 10x1,25x45 5738	BOLT	VIS	SCHRAUBE
146	821503	COPERCHIO CAMBIO	GEAR HOUSING COVER	COUVERCLE	DECKEL
147	824501	GUARNIZIONE COP CAMBIO	GASKET	JOINT PAPIER	DICHTUNG
148	823504	FUSELLO PORTA ING. CALET.	SPLINED GEAR-HOLDER	PALIER	BUCHSE VERKEILT
149	014274	VITE TCEI 8x1,25x12 5931	BOLT	VIS	SCHRAUBE
150	823502	SUPPORTO INGR CAMBIO	SPARE GEARS PLATE	PALIER	HALTERUNG
151	823503	FUSELLO PORTA ING. LISCIO	PLAIN GEAR HOLDER	BOUCLE LISSE	BUCHSE GLATT



# MODELLO NG

Tavola  
NG 20 01 3/4  
Data ultimo aggiornamento  
29/11/93

Pos.	CODICE	DESCRIZIONE	DESCRIPTION	DESCRIPTION	BEZEICHUNG
152	014150	VITE TE 10x1,25x35 5740	BOLT	VIS	SCHRAUBE
153	822529	ALBERO PIGNONE Z 9	PINION SHAFT	ARBRE PIGNON	WELLE
	822530	CORONA CONICA Z 31	CROWNWHEEL	COURONNE CONIQUE	KONISCHE KRONESCHRAUBE
154	003116	CUSCINETTO 32311	ROLLER BEARING 32311 A	ROULEMENT 32311 A	KUGELLAGER 32311 A
	003150 **	CUSCINETTO 32311/B	ROLLER BEARING 32311/B	ROULEMENT 32311/B	KUGELLAGER 32311/B
155	823505	DIST. INT. PIGNONE	PINION SHAFT SPACER	ENTRETOISE	DISTANZSTUCK
156	822501	ALBERO PRIMARIO	PRIMARY SHAFT	ARBRE	WELLE
157	003126	CUSCINETTO 30311	ROLLER BEARING 30311	ROULEMENT 30311	KUGELLAGER 30311
	003157 +	CUSCINETTO 31311	ROLLER BEARING 31311	ROULEMENT 31311	KUGELLAGER 31311
158	004075	DADO AUTOBL 6S 18x1,5 B	SELF LOCKING NUT	ECROU	MUTTER SELBSTS
159	014231	VITE TE 18x1,5x70 5738	BOLT	VIS	SCHRAUBE
160	823501	DISTANZIALE INGR CAMBIO	GEAR SPACER	ENTRETOISE	DISTANZSTUCK
	823501	DISTANZIALE INGR CAMBIO	GEAR SPACER	ENTRETOISE	DISTANZSTUCK
161	823506	DIST. EST. PIGNONE	PINION SHAFT SPACER	ENTRETOISE	DISTANZSTUCK
162	811509	SERIE SPESSORI d.55xd.68	SET OF SPACERS	SERIE D'EPAISSEURS	BELAGSCHIEBE
163	003126	CUSCINETTO 30311	ROLLER BEARING 30311	ROULEMENT 30311	KUGELLAGER 30311
	003157 +	CUSCINETTO 31311	ROLLER BEARING 31311	ROULEMENT 31311	KUGELLAGER 31311
164	861501	SUPPORTO GUIDA BIELLA	LOWER CONROD SUPPORT	SUPPORT BIELLE COMMANDER	PLEUEL HALTERUNG
	861531 *	SUPPORTO GUIDA BIELLA NG	CON-ROD SUPPORT	SUPPORT DE LA BIELLE	HALTERUNG F. PLEUEL
165	861506	VANGHETTA STANDARD L 184	STANDARD TYPE SPADE	BECHE S.T.D.	SPATEN S.T.P.
	861507	VANGHETTA TIPO LARGO L214	WIDE SPADE	BECHE LARGE	GROSSE SPATEN
	861508	VANGHETTA TRAPEZ L184	SPADE	BECHE	SPATEN
	861509	VANGHETTA TRAPEZ L214	SPADE	BECHE	SPATEN
166	823568 +	ANELLO x CUSCINETTO 31311	SPACER	BAGUE	DISTANZRING
167	822519	INGRANAGGIO Z 12	GEAR 12 T	PIGNON 12 DENTS	ZAHNRAD 12 Z
	822520	INGRANAGGIO Z 13	GEAR 13 T	PIGNON 13 DENTS	ZAHNRAD 13 Z
	822521	INGRANAGGIO Z 14	GEAR 14 T	PIGNON 14 DENTS	ZAHNRAD 14 Z
	822522	INGRANAGGIO Z 15	GEAR 15 T	PIGNON 15 DENTS	ZAHNRAD 15 Z
	822502	INGRANAGGIO Z 18	GEAR 18 T	PIGNON 18 DENTS	ZAHNRAD 18 Z
	822503	INGRANAGGIO Z 19	GEAR 19 T	PIGNON 19 DENTS	ZAHNRAD 19 Z
	822504	INGRANAGGIO Z 20	GEAR 20 T	PIGNON 20 DENTS	ZAHNRAD 20 Z
	822505	INGRANAGGIO Z 21	GEAR 21 T	PIGNON 21 DENTS	ZAHNRAD 21 Z
	822523	INGRANAGGIO Z 24	GEAR 24 T	PIGNON 24 DENTS	ZAHNRAD 24 Z
	822524	INGRANAGGIO Z 25	GEAR 25 T	PIGNON 25 DENTS	ZAHNRAD 25 Z
	822525	INGRANAGGIO Z 26	GEAR 26 T	PIGNON 26 DENTS	ZAHNRAD 26 Z
	822526	INGRANAGGIO Z 27	GEAR 27 T	PIGNON 27 DENTS	ZAHNRAD 27 Z
168	007140	OR400687 24,2 x 3	O RING 400687	JOINT D'ETANCHEITE OR 40068	DICHTRING OR 400687
169	821502	SCATOLA CAMBIO	GEARBOX	CARTER	GETRIEBEGEHAUSE
170	022018	TAPPO ZNT 1/2 GAS CONICO	OIL PLUG	BOUCHON DE VIDANCE	OLSCHRAUBE
171	003125	CUSCINETTO 30312	ROLLER BEARING 30312	ROULEMENT 30312	KUGELLAGER 30312
172	011021	ROSETTA OND M 16 DIN 137B	SPRING WASHER M 16 DIN 137	RONDELLE GROWER M 16 DIN 1	RING GROWER M 16 DIN 137B
173	014183	VITE TE 10.9 16x1,5x120 5738	BOLT	VIS	SCHRAUBE
174	011016	ROSETTA OND M 14 DIN 137B	SPRING WASHER M 14 DIN 137	RONDELLE GROWER M 14 DIN 1	RING GROWER M 14 DIN 137B
175	014210	VITE TE 14x1,5x30 5740	BOLT	VIS	SCHRAUBE
176	014129	VITE TE 20x1,5x80 5738	BOLT	VIS	SCHRAUBE
	014133 *	VITE TE M 24x2x80 5738	BOLT	VIS	SCHRAUBE
177	014232	VITE TE 20x1,5x110 5738	BOLT	VIS	SCHRAUBE
	014249 *	VITE TE 24x2x120 5738	BOLT	VIS	SCHRAUBE
178	004078	DADO AUTOBL 8G 24x2 B	SELF LOCKING NUT 24x2	ECROU NILSTOP 24x2	MUTTER 24x2
179	823512	COPERCHIO PORTA TENUTA	SEAL Goup HOUSING	COUVERCLE	DECKEL
180	871505	GRUPPO DI TENUTA d.58	GROUP SEAL	GROUPE GARNITURES	DICHTURRGASGRUPPE
181	823511	ANELLO PORTA TENUTA	SEAL-GROUP HOUSING-RING	GARNITURE	DICHTRING
182	003073	CUSCINETTO 30206	ROLLER BEARING 30206	ROULEMENT 30206	KUGELLAGER 30206
183	823510	PERNO GUIDA BIELLA	CONROD SUPPORT PIVOT	AXE DE LA BIELLE	PLEUEL BOLZEN
184	011022	ROSETTA OND M 20 DIN 137B	SPRING WASHER M 20 DIN 137	RONDELLE GROWER M 20 DIN	RING GROWER M 20 DIN 137B
	011026 *	ROSETTA OND M 24 DIN 137B	WASHER	RONDELLE	RING GROWER
185	811513	SERIE SPESSORI d.30xd.36	SET OF SPACERS 30x40	SERIE D'EPAISSEURS 30x40	BELAGSCHEIBE 30x40
186	861505	BIELLA PIEGATA SINISTRA	OFFSET LHS CONROD	BIELLE GAUCHE	LINKE PLEUEL



# MODELLO NG

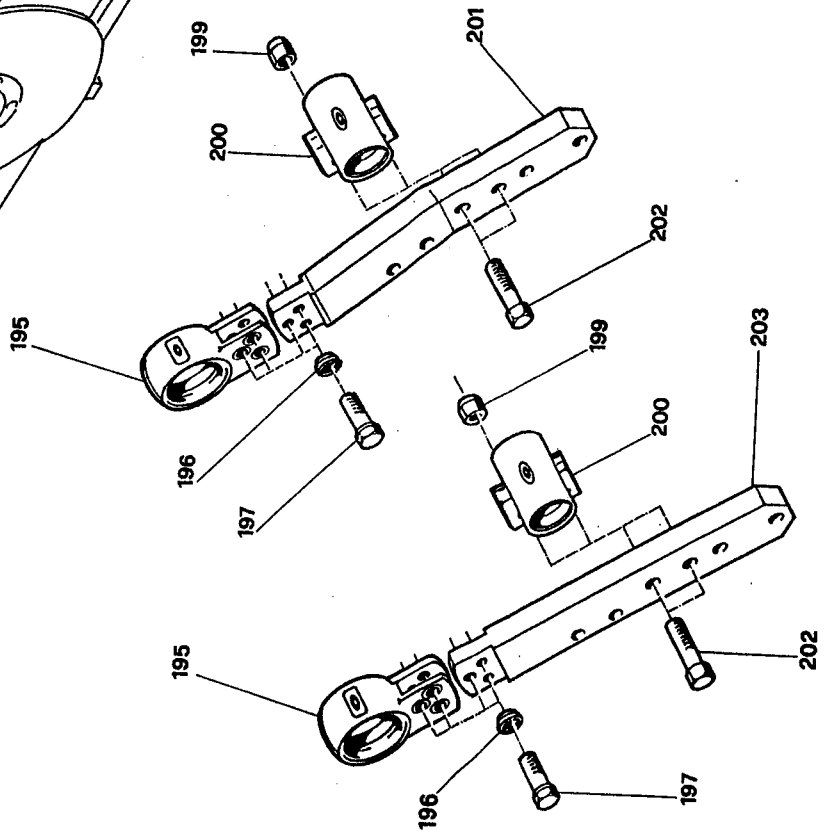
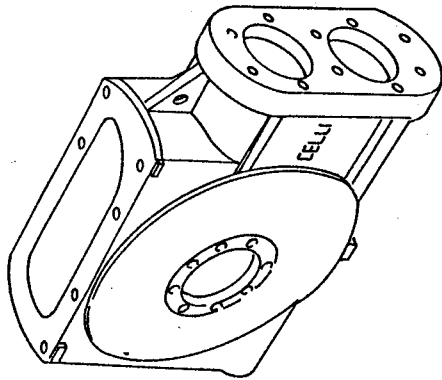
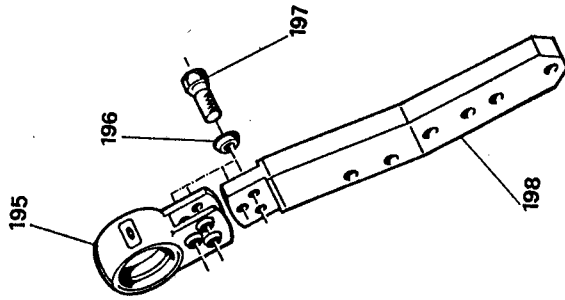
Tavola  
NG 20 01 4/4  
Data ultimo aggiornamento  
29/11/93

Pos.	CODICE	DESCRIZIONE	DESCRIPTION	DESCRIPTION	BEZEICHUNG
187	861618 *	RASCHIETTO BIELLA PIEG SX	SCRAPER	RACLOIR	LINKER ABTREIFER
188	014264	RASCHIETTO BIELLA PIEG DX	SCRAPER	RACLOIR	RECHTER ABSTREIFER
189	861617 *	RASCHIETTO BIELLA PIEG DX	SCRAPER	RACLOIR	RECHTER ABSTREIFER
190	861616 *	RASCHIETTO BIELLA DIRITTA	SCRAPER	RACLOIR	ABSTREIFER
191	014255	VITE TE 12x1,25x55 5738	BOLT	VIS	SCHRAUBE
192	011003	GROWER RETT RINF M 12	SPRING WASHER	RONDELLE GROWER	UNTERLEGSCHIEBE
193	004030	DADO 6S 12x1,25 A ZNT	NUT	ECROU	MUTTER

\* DA MATRICOLA N. 5070550  
\* FROM MATRICULA Nr. 5070550  
\* DE MATRICULE Nr. 5070550  
\* VON MATRIKEL Nr. 5070550

\*\* DA MATRICOLA N. A6902  
\*\* FROM MATRICULA Nr. A6902  
\*\* DE MATRICULE Nr. A6902  
\*\* VON MATRIKEL Nr. A6902

+ DA MATRICOLA N. B1169  
+ FROM MATRICULA Nr. B1169  
+ DE MATRICULE Nr. B1169  
+ VON MATRIKEL Nr. B1169



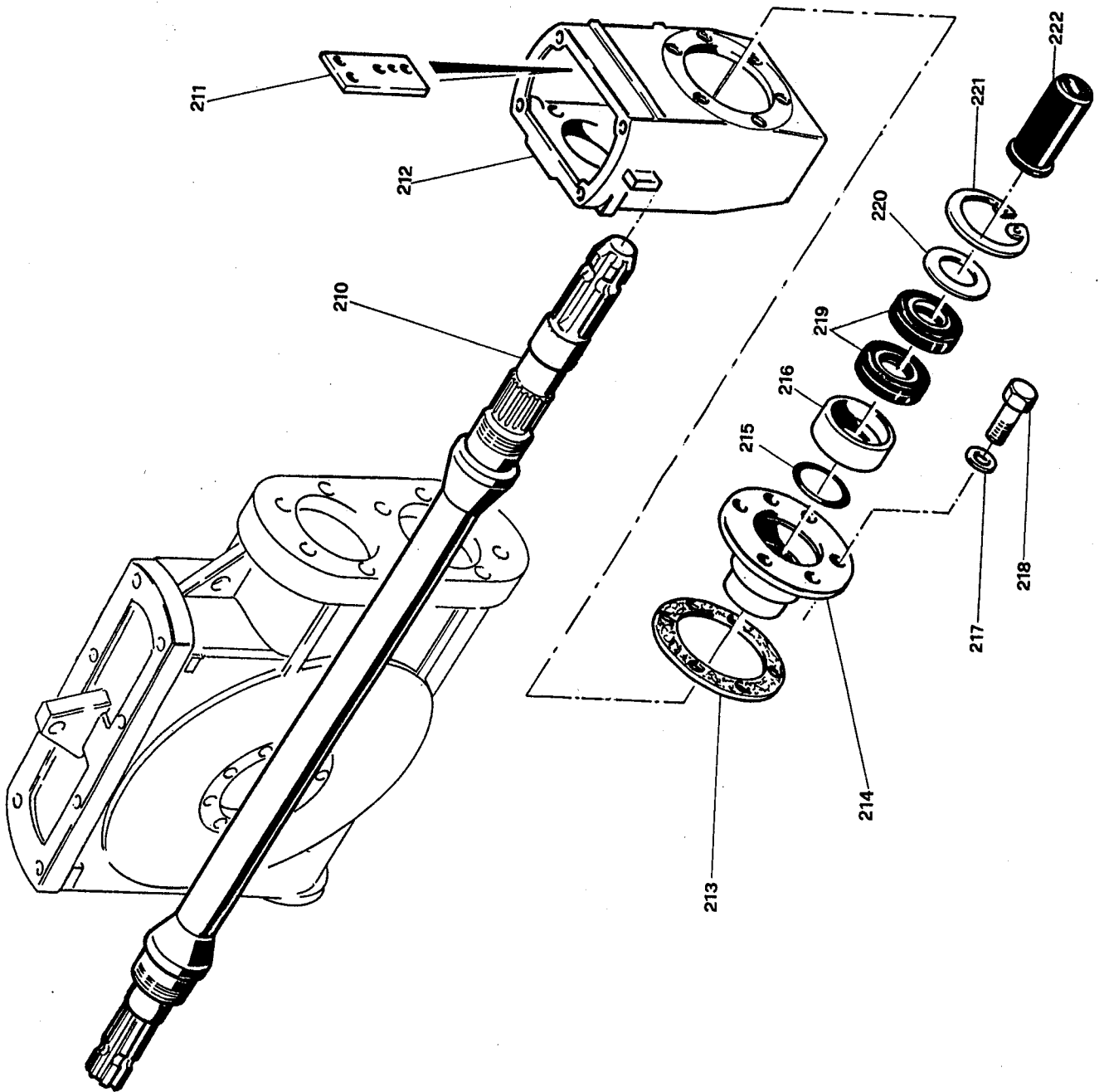


CELLI S.p.A.

**MODELLO NG**

Tavola  
 NG 21 01 2/2  
 Data ultimo aggiornamento  
 06/10/1992

Pos.	CODICE	DESCRIZIONE	DESCRIPTION	DESCRIPTION	BEZEICHUNG
195	822533	SUPPORTO TESTA DI BIELLA	HOUSING	PALIER	HALTERUNG
196	011028	GROWER LIMES M 18	SPRING WASHER	RONDELLE GROWER	RING GROWER
197	014203	VITE TE 18x1,5x60 zn 5738	BOLT	VIS	SCHRAUBE
198	823571	ASTA PER BIELLA PIEG DX	R.H. BAR	BRAS DROIT BIELLE	STANGE RECHTS
199	004075	DADO AUTOBL 6S 18x1,5 B	SELF LOCKING NUT	ECROU	MUTTER SELBSTS
200	861568	SUPPORTO PIEDE DI BIELLA	HAUSING	PALIER	HALTERUNG
201	823572	ASTA PER BIELLA PIEG SIN	L.H. BAR	BAR GAUCHE	STANGE LINKS
202	014231	VITE TE 18x1,5x70 5738	BOLT	VIS	SCHRAUBE
203	823570	ASTA PER BIELLA DIRITTA	BAR	ARM	STANGE



CELLI S.p.A.

## MODELLO NG

Tavola

NG 22 01 2/2

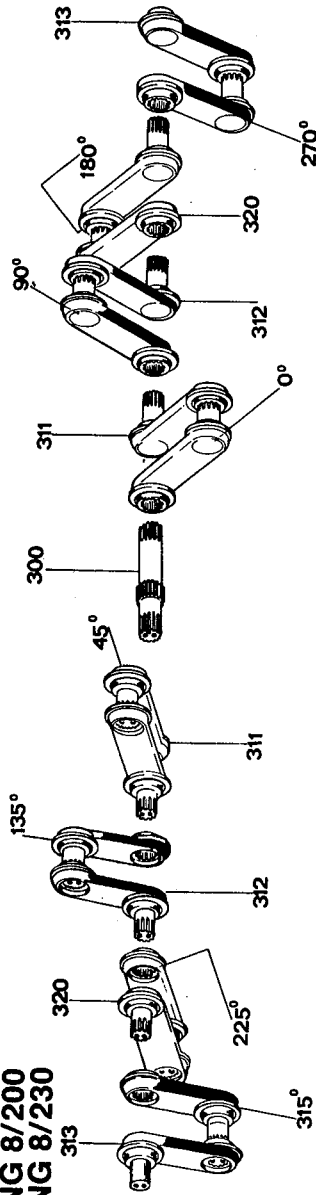
Data ultimo aggiornamento

06/10/1992

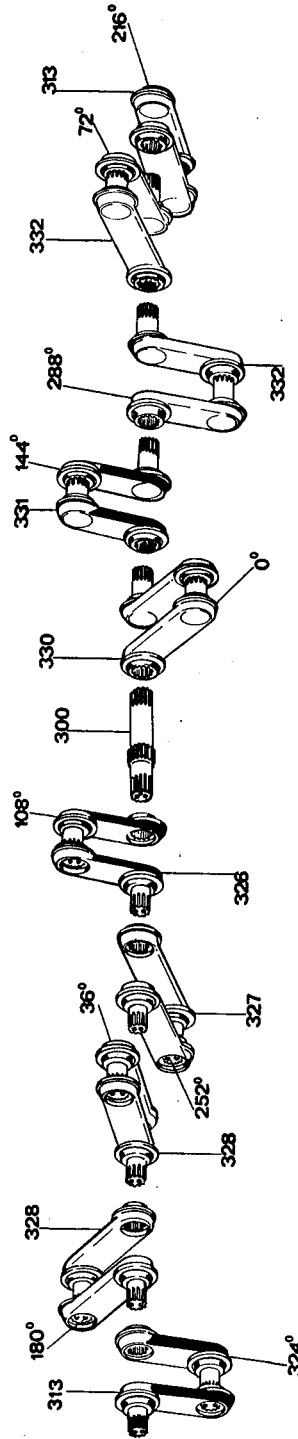
Pos.	CODICE	DESCRIZIONE	DESCRIPTION	DESCRIPTION	BEZEICHUNG
210	823500	ALBERO PDF POST.NG	SHAFT	ARBRE	WELLE
211	823550	SUPPORTO INGR.PDF POST.NG	HOUSING	PALIER	HALTERUNG
212	821507	SCATOLA CAMBIO PDF POST.	GEARBOX FOR BACK P.T.O.	CARTER AVEC PDF ARRIERE	GETRIEBE MIT DURCHGEHENDEZAPFWELLE
213	824503	GUARNIZIONE COP.PDF POST.	GASKET	JOINT PAPIER	DICHTUNG
214	861530	COPERCHIO PDF POST. NG	REAR PTO ATTACHMENT PLAT	COUVERCLE PDF ARRIERE	DECKEL
215	007163	OR 6175 43,82 x 5,33	O RING	JOINT D'ETANCHEITE	DICHTRING
216	823556	BUSSOLAxPARAOLI PDF POST	BRONZE BUSH	BAGUE PDF ARRIERE	HINTERES PDF BUCHSE
217	011012	ROSETTA OND M 10 DIN 137B	SPRING WASHER	RONDELLE	FEDERRING
218	014144	VITE TE 10x1,25x20 5740	BOLT	VIS	SCHRAUBE
219	007160	PARAOLIO 36x47x7	OIL SEAL	JOINT D'HUILE	SIMMERRING
220	823557	RONDELLA PER PDF POST.	WASHER	RONDELLE	SCHEIBE
221	001015	SEEGER I 62	SNAP RING I 62	CIRCLIP INTERIEUR I 62	SEEGERRING I 62
222	099041	PROTEZIONE x PTO 1"3/8	PDF PROTECTION 1" 3/8	PROTECTION PDF 1"3/8	SCHUTZ PDF 1" 3/8

- N.B.
- Marcare il manovellismo prima di smontare per posizionarlo correttamente al montaggio.
  - Pls mark the position of the components before disassembling: it shall easier to reassemble it.
  - Bitte, bevor Kurbelswelle auseinandernehmen, Positionen der Bestandteile markieren: es sollte dann einfacher sein die Welle wieder zusammenstellen.
  - Sup marquer les positions de chaque piece avant de monter le manivellisme: il sera beaucoup facile de les remonter.

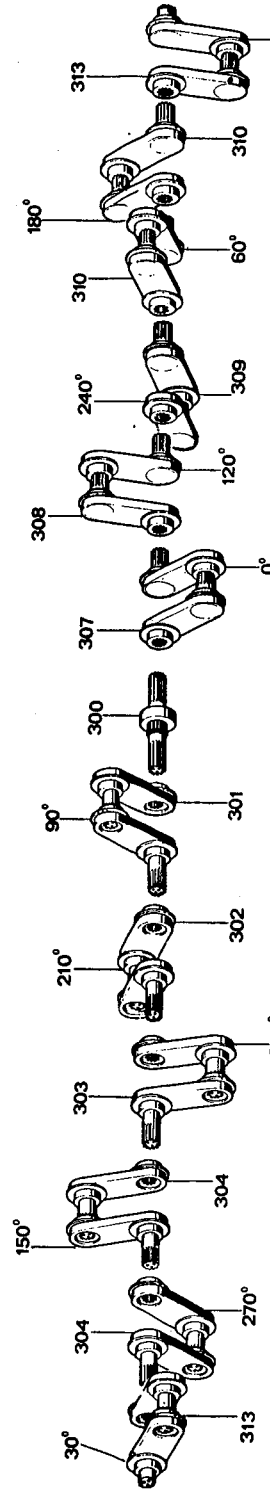
**NG 8/200  
 NG 8/230**



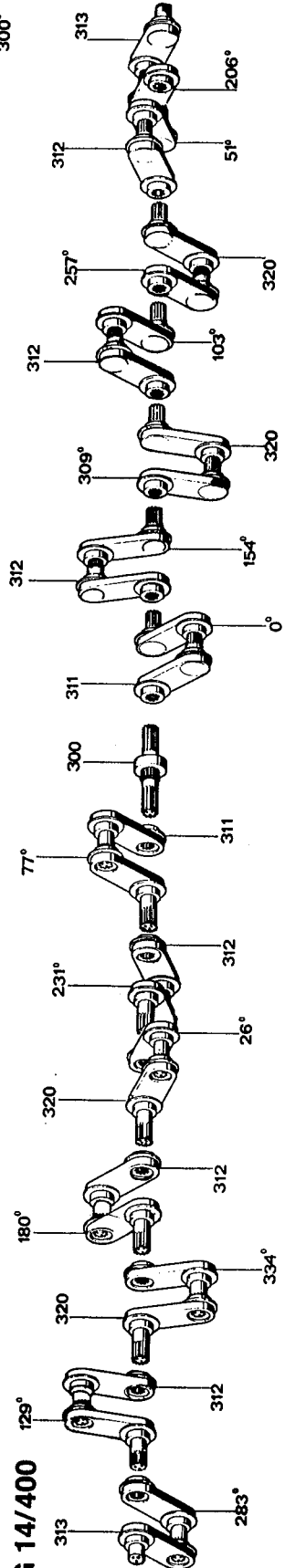
**NG 10/255  
 NG 10/285**



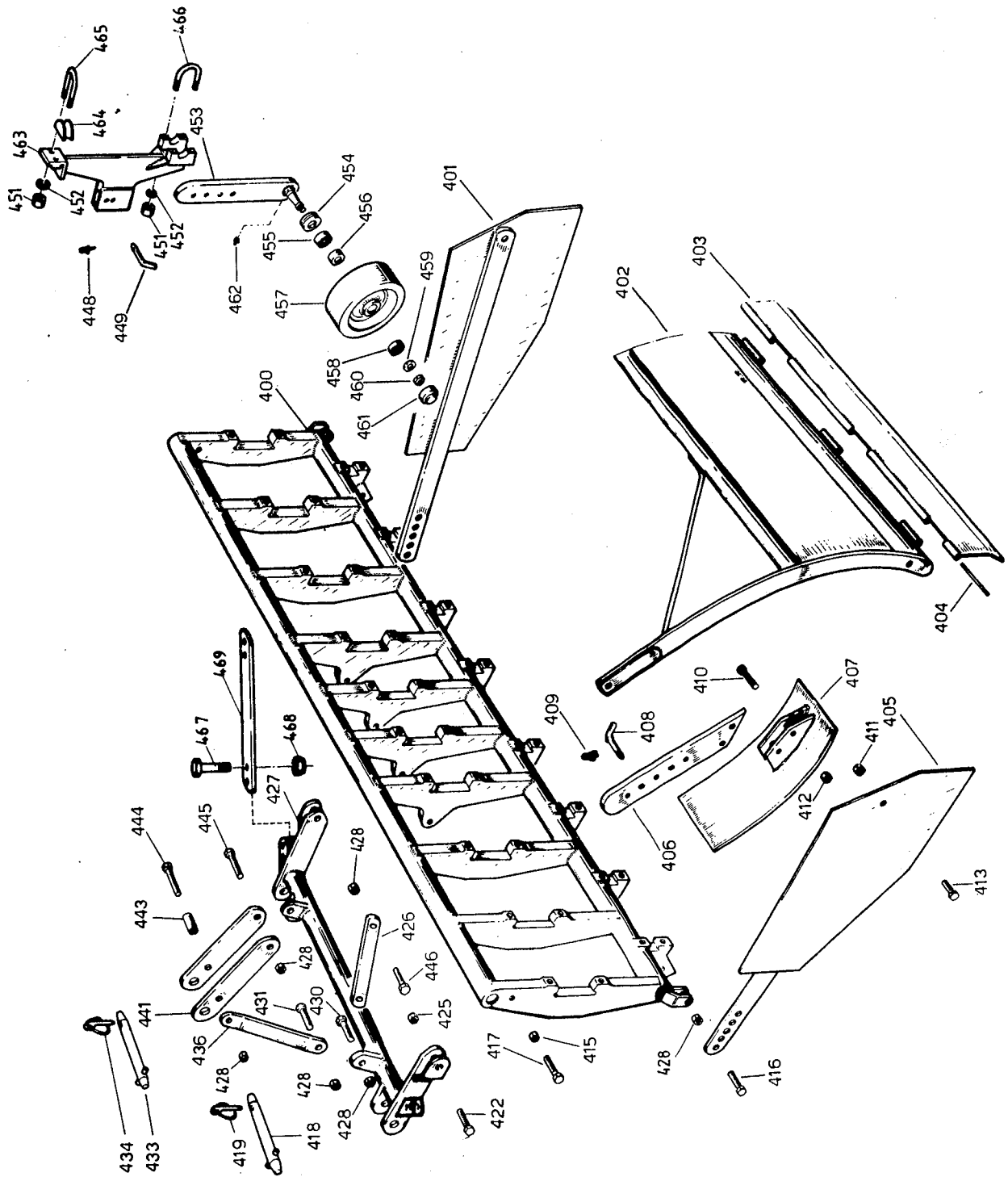
**NG 12/310  
 NG 12/350**



**NG 14/400**



Pos.	CODICE	DESCRIZIONE	DESCRIPTION	DESCRIPTION	BEZEICHUNG
300	822508	ALBERO PORTACORONA 8-10V	GEARBOX CRANK-SHAFT	ARBRE PORTE-COURONNE	KRONRADWELLE
	822509	ALBERO PORTACORONA 12-14	GEARBOX CRANK-SHAFT	ARBRE PORTE-COURONNE	KRONRADWELLE
301	871544	MANOVELLA COMPLETA	CRANK SHAFT	MANIVELLE	KURBEL
302	871545	MANOVELLA COMPLETA	CRANK SHAFT	MANIVELLE	KURBEL
	871550	MANOVELLA COMPLETA	CRANK SHAFT	MANIVELLE	KURBEL
303	871532	MANOVELLA COMPLETA	CRANK SHAFT	MANIVELLE	KURBEL
	871534	MANOVELLA COMPLETA	CRANK SHAFT	MANIVELLE	KURBEL
304	871546	MANOVELLA COMPLETA	CRANK SHAFT	MANIVELLE	KURBEL
	871550	MANOVELLA COMPLETA	CRANK SHAFT	MANIVELLE	KURBEL
307	871547	MANOVELLA COMPLETA	CRANK SHAFT	MANIVELLE	KURBEL
308	871548	MANOVELLA COMPLETA	CRANK SHAFT	MANIVELLE	KURBEL
	871551	MANOVELLA COMPLETA	CRANK SHAFT	MANIVELLE	KURBEL
309	871532	MANOVELLA COMPLETA	CRANK SHAFT	MANIVELLE	KURBEL
	871534	MANOVELLA COMPLETA	CRANK SHAFT	MANIVELLE	KURBEL
310	871549	MANOVELLA COMPLETA	CRANK SHAFT	MANIVELLE	KURBEL
	871551	MANOVELLA COMPLETA	CRANK SHAFT	MANIVELLE	KURBEL
311	871530	MANOVELLA COMPLETA	CRANK SHAFT	MANIVELLE	KURBEL
312	871531	MANOVELLA COMPLETA	CRANK SHAFT	MANIVELLE	KURBEL
	871534	MANOVELLA COMPLETA	CRANK SHAFT	MANIVELLE	KURBEL
313	871533	MANOVELLA COMPLETA	CRANK SHAFT	MANIVELLE	KURBEL
	871535	MANOVELLA COMPLETA	CRANK SHAFT	MANIVELLE	KURBEL
320	871532	MANOVELLA COMPLETA	CRANK SHAFT	MANIVELLE	KURBEL
	871534	MANOVELLA COMPLETA	CRANK SHAFT	MANIVELLE	KURBEL
326	871536	MANOVELLA COMPLETA	CRANK SHAFT	MANIVELLE	KURBEL
327	871537	MANOVELLA COMPLETA	CRANK SHAFT	MANIVELLE	KURBEL
	871542	MANOVELLA COMPLETA	CRANK SHAFT	MANIVELLE	KURBEL
328	871538	MANOVELLA COMPLETA	CRANK SHAFT	MANIVELLE	KURBEL
	871542	MANOVELLA COMPLETA	CRANK SHAFT	MANIVELLE	KURBEL
330	871539	MANOVELLA COMPLETA	CRANK SHAFT	MANIVELLE	KURBEL
331	871540	MANOVELLA COMPLETA	CRANK SHAFT	MANIVELLE	KURBEL
	871543	MANOVELLA COMPLETA	CRANK SHAFT	MANIVELLE	KURBEL
332	871541	MANOVELLA COMPLETA	CRANK SHAFT	MANIVELLE	KURBEL
	871543	MANOVELLA COMPLETA	CRANK SHAFT	MANIVELLE	KURBEL



Pos.	CODICE	DESCRIZIONE	DESCRIPTION	DESCRIPTION	BEZEICHUNG
400	861532	TELAIO NG/8/200	MAIN FRAME	CHASSIS	RAHMEN
	861720 *	TELAIO NG/8/200	MAIN FRAME	CHASSIS	RAHMEN
	861533	TELAIO NG/8/230	MAIN FRAME	CHASSIS	RAHMEN
	861721 *	TELAIO NG/8/230	MAIN FRAME	CHASSIS	RAHMEN
	861534	TELAIO NG/10/255	MAIN FRAME	CHASSIS	RAHMEN
	861722 *	TELAIO NG/10/255	MAIN FRAME	CHASSIS	RAHMEN
	861535	TELAIO NG/10/285	MAIN FRAME	CHASSIS	RAHMEN
	861723 *	TELAIO NG/10/285	MAIN FRAME	CHASSIS	RAHMEN
	861536	TELAIO NG/12/310	MAIN FRAME	CHASSIS	RAHMEN
	861724 *	TELAIO NG/12/310	MAIN FRAME	CHASSIS	RAHMEN
	861537	TELAIO NG/12/350	MAIN FRAME	CHASSIS	RAHMEN
	861726 *	TELAIO NG/12/350	MAIN FRAME	CHASSIS	RAHMEN
	861538	TELAIO NG/14/400	MAIN FRAME	CHASSIS	RAHMEN
	861728 *	TELAIO NG/14/400	MAIN FRAME	CHASSIS	RAHMEN
401	861512	LATERALE DESTRO	R.H. S. PANEL	JOUE DROITE	RECHTES BETTWANGE
402	861539	COFANO NG/8/200	BONNET	CAPOT	RAHMEN
	861540	COFANO NG/8/230	BONNET	CAPOT	RAHMEN
	861541	COFANO NG/10/255	BONNET	CAPOT	RAHMEN
	861542	COFANO NG/10/285	BONNET	CAPOT	RAHMEN
	861543	COFANO NG/12/310	BONNET	CAPOT	RAHMEN
	861544	COFANO NG/12/350	BONNET	CAPOT	RAHMEN
	861545	COFANO NG/14/400	BONNET	CAPOT	RAHMEN
403	861514	SCUDO MOBILE NG/8/200	REAR SHIELD	TABLIER ARRIERE	DECKEL
	861515	SCUDO MOBILE NG/8/230	REAR SHIELD	TABLIER ARRIERE	DECKEL
	861516	SCUDO MOBILE NG/10/255	REAR SHIELD	TABLIER ARRIERE	DECKEL
	861517	SCUDO MOBILE NG/10/285	REAR SHIELD	TABLIER ARRIERE	DECKEL
	861518	SCUDO MOBILE NG/12/310	REAR SHIELD	TABLIER ARRIERE	DECKEL
	861519	SCUDO MOBILE NG/12/350	REAR SHIELD	TABLIER ARRIERE	DECKEL
	861520	SCUDO MOBILE NG/14/400	REAR SHIELD	TABLIER ARRIERE	DECKEL
404	823516	PERNO VENTOLA d.12 L1992	SHIELD-HINGE PIVOT	AXE	BOLZEN
	823517	PERNO VENTOLA d.12 I2265	SHIELD-HINGE PIVOT	AXE	BOLZEN
	823518	PERNI VENTOLA d.12 I 2482	SHIELD-HINGE PIVOT	AXE	BOLZEN
	823519	PERNO VENTOLA d.12 I2833	SHIELD-HINGE PIVOT	AXE	PIVOT
	823520	PERNO VENTOLA d.12 I2972	SHIELD-HINGE PIVOT	AXE	BOLZEN
	823521	PERNO VENTOLA d.12 I3401	SHIELD-HINGE PIVOT	AXE	BOLZEN
405	861513	LATERALE SINISTRO	L.H. S. PANEL	JOUE GAUCHE	LINKES BETTWANGE
406	823522	ASTA REGOLAZIONE PATTINO	SKID ADJUSTING BAR	PIED DE REGLAGE DU PATIN	KUFESTANGE
	823533	ASTA REGOLAZIONE PATTINO	SKID ADJUSTING BAR	PIED DE REGLAGE DE PATIN	KUFESTANGE
407	861511	PATTINO A UN FORO	SKID COMPLETE	PATIN COMPLET COMMANDER	KUFE
	861547	PATTINO A DUE FORI	SKID	PATIN	KUFE
408	223522	PERNO REGOLAZIONE d.16	PIVOT	AXE	BOLZEN
	823532	PERNO REGOLAZ. PATTINO NG	ADJUSTING WHEEL PIN	AXE REGOLATION ROUE	BOLZEN
409	013023	SPINA A SCATTO d. 6	SAFETY PIN d.6	GOUPILLE d.6	KLAPPSPLINT d.6
410	014231	VITE TE 18x1,5x70 5738	BOLT	VIS	SCHRAUBE
411	004072	DADO AUTOBL 6S 16x1,5 A	SELF LOCKING NUT	ECROU	MUTTER SELBSTS
412	004075	DADO AUTOBL 6S 18x1,5 B	SELF LOCKING NUT	ECROU	MUTTER SELBSTS
413	014198	VITE TE 16x1,5x50 5738	BOLT	VIS	SCHRAUBE
	014190	VITE TE 20x1,5x50 5740	BOLT	VIS	SCHRAUBE
415	004073	DADO AUTOBL 6S 20x1,5 A	SELF LOCKING NUT	ECROU	MUTTER SELBSTS
416	014158	VITE TE 20x1,5x70 5738	BOLT	VIS	SCHRAUBE
417	014199	VITE TE 16x1,5x70 5738	BOLT	VIS	SCHRAUBE
418	823515	PERNO ATTACCO 3P INF. d.38 L190	LOWER 3 P.ATTACHMENT PIN	AXE	BOLZEN
	423718	PERNO ATTACCO d.28x150	PIVOT	AXE	UNTERLENKERBOLZEN
419	013032	COPIGLIA A MOLLA d.6	SPRING PIN d.6	GOUPILLE d.6	SPLINT d.6
	013011	SPINA A SCATTO d.11	SAFETY PIN d.11	GOUPILLE d.11	SPLINT d.11
	013039	SPINA SICUR. + CATEN. d.11	SAFETY PIN d.11	GOUPILLE d.11	SPLINT d.11
422	014259	VITE TE 24x2x130 5738	BOLT	VIS	SCHRAUBE
425	004031	DADO AUTOBL 6S 24x2 A	SELF LOCKING NUT 24x2	ECROU NILSTOP 24x2	MUTTER 24x2

Pos.	CODICE	DESCRIZIONE	DESCRIPTION	DESCRIPTION	BEZEICHUNG
426	823523	BRACCIO LATERALE 3P INF	LOWER 3 P. ATTACHMENT AR	BRAS INF.	ARM
427	861546	CASTELLO ATTACCO 3P INF	3 P.ATTACHMENT CROSS BAR	BARRE	STANGE
428	004073	DADO AUTOBL 6S 20x1,5 A	SELF LOCKING NUT	ECROU	MUTTER SELBSTS
430	014158	VITE TE 20x1,5x70 5738	BOLT	VIS	SCHRAUBE
431	014129	VITE TE 20x1,5x80 5738	BOLT	VIS	SCHRAUBE
433	823514	PERNO 3P SUPERIORE d.32 L19	LOWER 3 P.ATTACHMENT PIN	AXE	BOLZEN
	423719	PERNO ATTACCO d.25x150	PIVOT	AXE	OBERLENKERBOLZEN
434	013032	COPIGLIA A MOLLA d.6	SPRING PIN d.6	GOUPILLE d.6	SPLINT d.6
	013011	SPINA A SCATTO d.11 ART. 30	SAFETY PIN d.11	GOUPILLE d.11	SPLINT d.11
	013039	SPINA SICUR. + CATEN. d.11	SAFETY PIN d.11	GOUPILLE d.11	SPLINT d.11
436	823524	BRACCIO LATERALE 3P SUP	UPPER 3 P. ATTACHMENT SIDE	BRAS SUP.	ARM
441	823527	TIRANTE ATTACCO 3P d.31	3 P. BRAKET	TIRANT D'ATTACHE	OBERLENKERARM
	823525	TIRANTE ATTACCO 3P d.25	3 P. BRAKET	TIRANT D'ATTACHE 3 P.	OBERLENKERARM
443	823566	BOCCOLA DISTANZ. 3 PUNTI	3P. SPACER	BOITE D'ESSIEU	BUECHSE
444	014132	VITE TE 20x1,5x140 5738	BOLT	VIS	SCHRAUBE
445	014232	VITE TE 20x1,5x110 5738	BOLT	VIS	SCHRAUBE
446	014129	VITE TE 20x1,5x80 5738	BOLT	VIS	SCHRAUBE
448	013023	SPINA A SCATTO d. 6 ART. 302	SAFETY PIN d.6	GOUPILLE d.6	KLAPPSPLINT d.6
449	823532	PERNO REGOLAZ. PATTINO NG	ADJUSTING WHEEL PIN	AXE REGOLATION ROUE	BOLZEN
451	004063	DADO 6S 16x1,5 A ZNT	NUT	ECROU	MUTTER
452	011005	GROWER RETT RINF M 16	SPRING WASHER	RONDELLE GROWER	UNTERLEGSSCHEIBE
453	861524	ASTA PORTARUOTA	DEPTH WHEEL ARM	BARRE DE LA ROUE	RAEDERS HALTER
454	099018	GRUPPO PARAPOLV d.40xd.68Z	DUST-COVER RING	BAGUE CACHE-POUSSIERE	STAUBSCHUTZ RING
455	003129	CUSCINETTO 6207 Z C3	BALL BEARING 6207 Z	ROULEMENT 6207 Z	KUGELLAGER 6207 Z
456	823534	DIST. CUSCIN RUOTA d.42 spB	SPACER	ENTRETOISE	DISTANZSTUCK
457	015009	RUOTA IN FERRO d.500x225 (x	WHEEL	ROUE	STUETZRAD
458	003059	CUSCINETTO 6305	BALL BEARING 6305	ROULEMENT 6305	KUGELLAGER 6305
459	010008	RONDELLA PIANA M 20 6592	WASHER	RONDELLE	SCHEIBE
460	004074	DADO AUTOBL 6S 20x1,5 B	SELF LOCKING NUT	ECROU	MUTTER SELBSTS
461	015008	CAPPELOTTO d.62	COVER	COUVERCLE	DECKEL
462	008001	INGRASSATORE 8x1 DIRITTO	GREASE NIPPLE	GRAISSEUR DROIT	SCHMIERNIPPLE
463	861523	SUPPORTO PORTARUOTA	DEPTH WHEEL ARM SUPPORT	PALIER DE LA ROUE	HALTERUNG STUTZRAD
464	823531	PASTIGLIA PER CAVALLOTTO	U-BOLT SPACER	PASTILLE POUR CAVALIER	BEILAGSCHEIBE FUER BUEGELSCHRAUBE
465	823529	CAVALLOTTO PORTARUOTA d.	ANCHORAGE	BRIDE	BOCK
466	823528	CAVALLOTTO PORTARUOTA d.	ANCHORAGE	BRIDE	BOCK
467	014221	VITE TE 16x1,5x65 zn 5738	BOLT	VIS	SCHRAUBE
468	004072	DADO AUTOBL 6S 16x1,5 A	SELF LOCKING NUT	ECROU	MUTTER SELBSTS
469	823536	BRACCIO RINF 3 P. INF.	ARM	BRAS	ARM

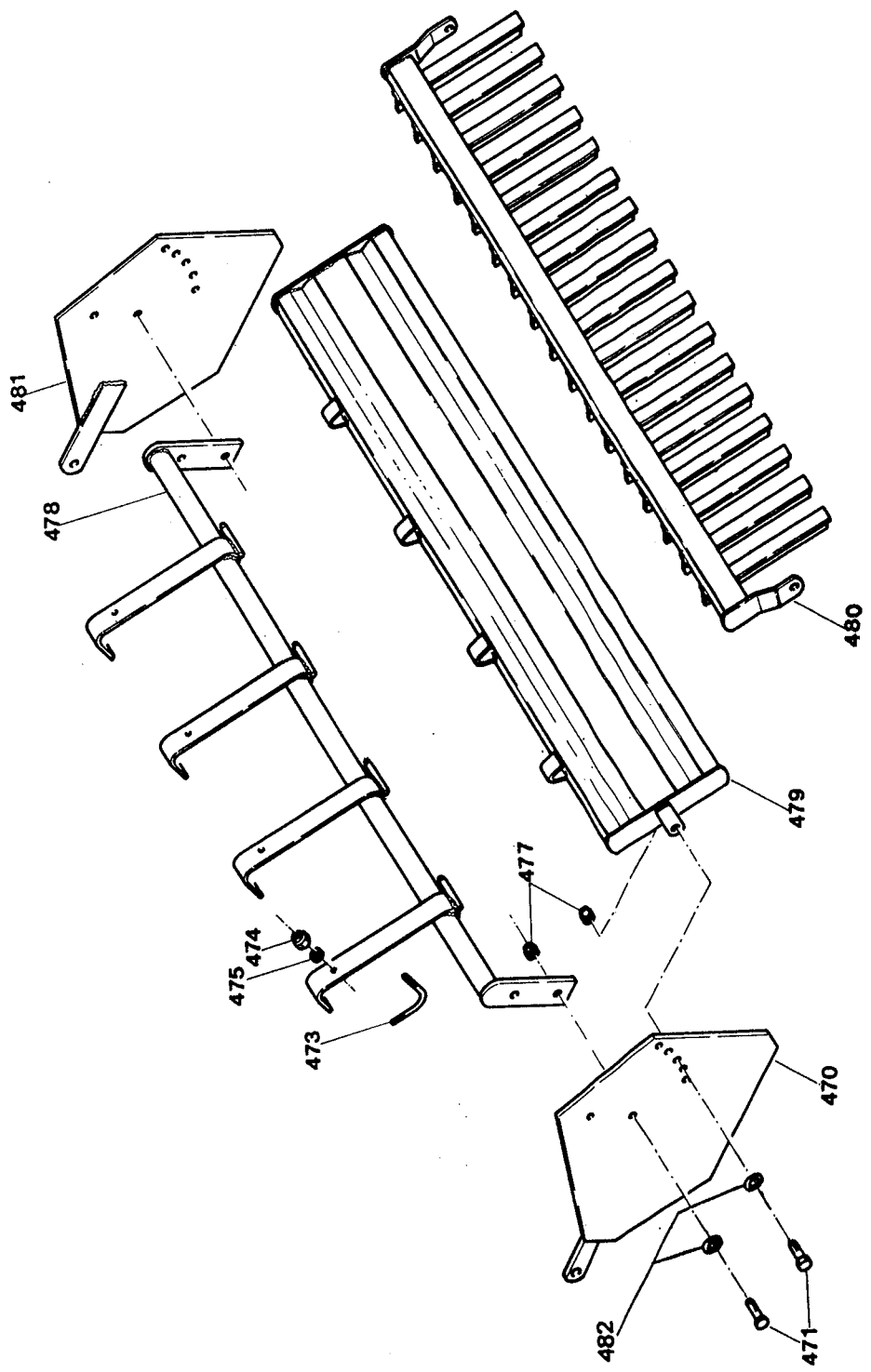
\* DA MATRICOLA N. 5070550

\* FROM MATRICULA Nr. 5070550

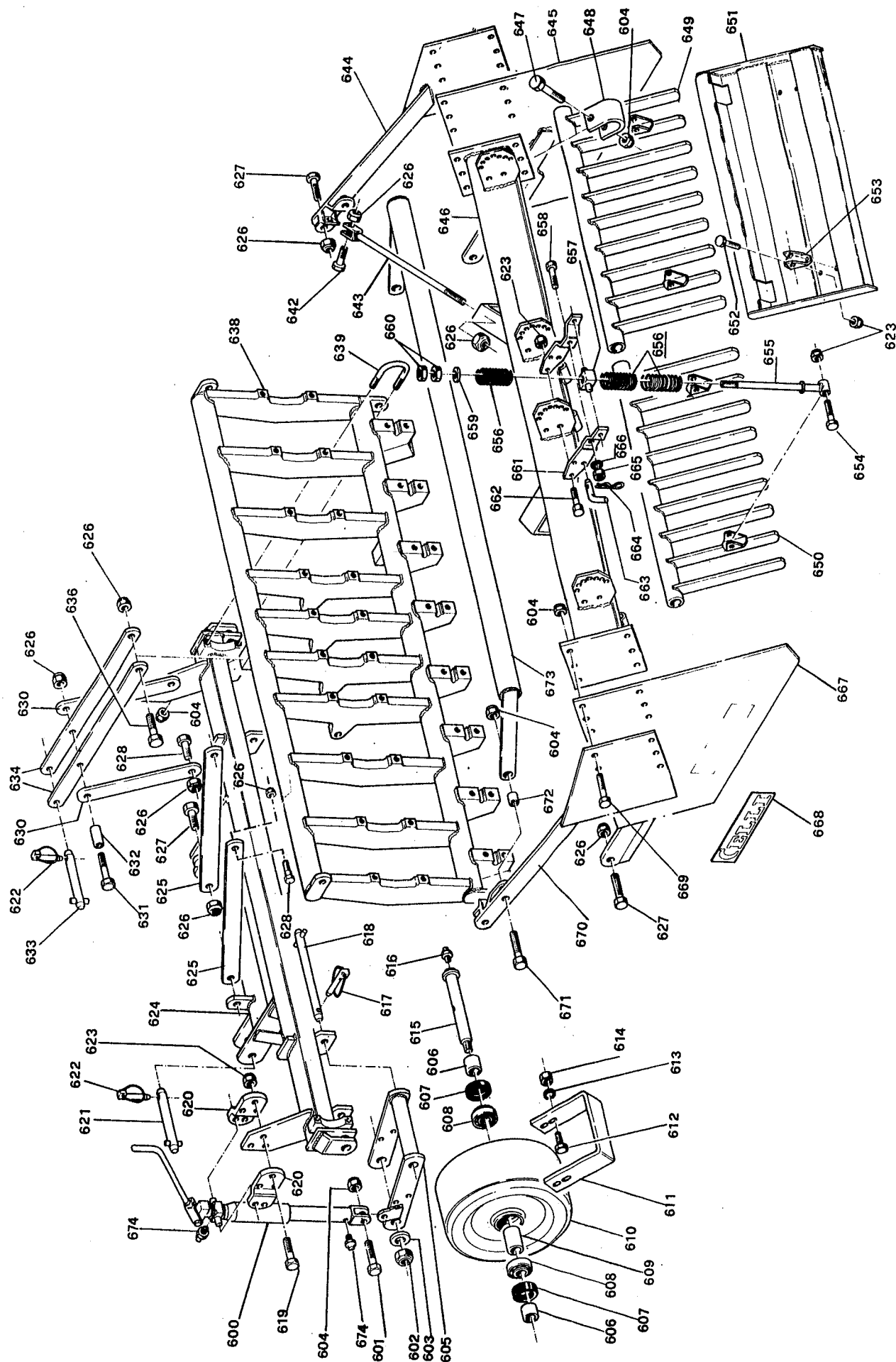
\* DE MATRICULE Nr. 5070550

\* VON MATRIKEL Nr. 5070550



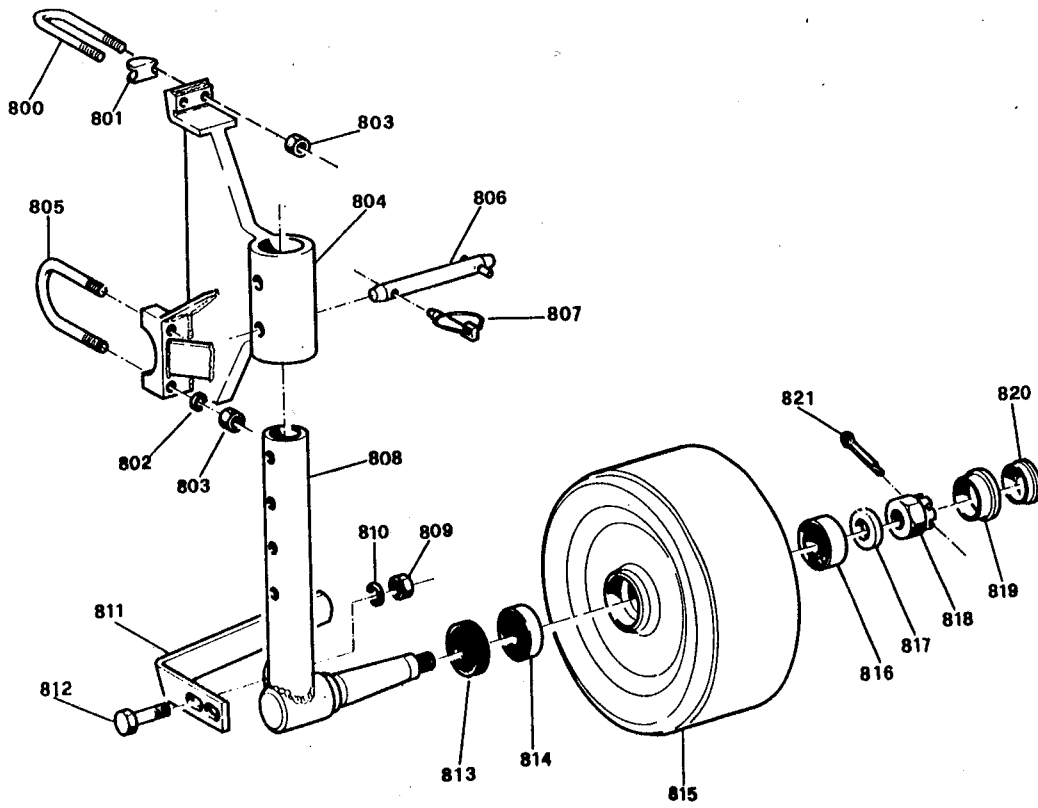


Pos.	CODICE	DESCRIZIONE	DESCRIPTION	DESCRIPTION	BEZEICHUNG
470	861529	LATERALE SINISTRO NG	LHS PLATE	COTE' GAUCHE	LH SEITENBLECH NG
471	014190	VITE TE 20x1,5x50 5740	BOLT	VIS	SCHRAUBE
473	823559	CAVALLOTTO 16x1,5x255	U BOLT	BRIDE	BUEGELSCHRAUBE
474	004072	DADO AUTOBL 6S 16x1,5 A	SELF LOCKING NUT	ECROU	MUTTER SELBSTS
475	010006	RONDELLA PIANA M 16 6592	WASHER	RONDELLE GROWER	SCHEIBE
477	004073	DADO AUTOBL 6S 20x1,5 A	SELF LOCKING NUT	ECROU	MUTTER SELBSTS
478	861571	COFANO COMPLETO NG/200	BONNET NG/200	CAPOT NG/200	RAHMEN NG/200
	861572	COFANO COMPLETO NG/230	BONNET NG/230	CAPOT NG/230	RAHMEN NG/230
	861573	COFANO COMPLETO NG/255	BONNET NG/255	CAPOT NG/255	RAHMEN NG/255
	861574	COFANO COMPLETO NG/285	BONNET NG/285	CAPOT NG/285	RAHMEN NG/285
	861575	COFANO COMPLETO NG/310	BONNET NG/310	CAPOT NG/310	RAHMEN NG/310
	861576	COFANO COMPLETO NG/350	BONNET NG/350	CAPOT NG/350	RAHMEN NG/350
	861577	COFANO COMPLETO NG/400	BONNET NG/350	CAPOT NG/350	RAHMEN NG/350
479	861581	VENTOLA COMPLETA NG/200	REAR SHIELD NG/200	TABLIER ARRIERE NG/200	SCHUTZSCHILD NG/200
	861582	VENTOLA COMPLETA NG/230	REAR SHIELD NG/230	TABLIER ARRIERE NG/230	SCHUTZSCHILD NG/230
	861583	VENTOLA COMPLETA NG/255	REAR SHIELD NG/255	TABLIER ARRIERE NG/255	SCHUTZSCHILD NG/255
	861584	VENTOLA COMPLETA NG/285	REAR SHIELD NG/285	TABLIER ARRIERE NG/285	SCHUTZSCHILD NG/285
	861585	VENTOLA COMPLETA NG/310	REAR SHIELD NG/310	TABLIER ARRIERE NG/310	SCHUTZSCHILD NG/310
	861586	VENTOLA COMPLETA NG/350	REAR SHIELD NG/350	TABLIER ARRIERE NG/350	SCHUTZSCHILD NG/350
	861587	VENTOLA COMPLETA NG/400	REAR SHIELD NG/400	TABLIER ARRIERE NG/400	SCHUTZSCHILD NG/400
480	861591	RASTRELLO POST. NG/200	REAR RAKE NG/200	RATEAU NG/200	HINTERER RECHEN NG-200
	861592	RASTRELLO POST. NG/230	REAR RAKE NG/230	RATEAU NG/230	HINTERER RECHEN NG-230
	861593	RASTRELLO POST. NG/255	REAR RAKE NG/255	RATEAU NG/ 255	RECHEN NG/255
	861594	RASTRELLO POST. NG/285	REAR RAKE NG/285	RATEAU NG/285	HINTERER RECHEN NG/285
	861595	RASTRELLO POST. NG/310	REAR RAKE NG/310	RATEAU NG/310	HINTERER RECHEN NG/310
	861596	RASTRELLO POST. NG/350	REAR RAKE NG/350	RATEAU NG/350	HINTERER RECHEN NG-350
	861597	RASTRELLO POST. NG/400	REAR RAKE NG/400	RATEAU NG/400	HINTERER RECHEN NG-400
481	861528	LATERALE DESTRO NG	RHS PLATE	COTE' DROITE	RH SEITENBLECH NG
482	010008	RONDELLA PIANA M 20 6592	WASHER	RONDELLE	SCHEIBE



Pos.	CODICE	DESCRIZIONE	DESCRIPTION	DESCRIPTION	BEZEICHUNG
600	871514	VITE COMPL. REGOLAZ. RUOTA	WHEEL REG. SCREW	VIS DE RELAGE	VERSTELLUNGSSCHRAUBE
601	014192	VITE TE 16x1,5x55 ZNT 738	BOLT	VIS	SCHRAUBE
602	004056 +	DADO AUTOBL 6S 30x2 B	SELF LOCKING NUT 30x3	ECROU NILSTOP 30x3	MUTTER 30x3
603	010020 +	RONDELLA PIANA M 30 6592	SPRING WASHER M 30	RONDELLE M 30	SCHEIBE M 30
604	004072	DADO AUTOBL 6S 16x1,5 A	SELF LOCKING NUT	ECROU	MUTTER SELBSTS
605	861620 +	SUPPORTO RUOTA SIN. NGR	LHS WHEEL SUPPORT	PALIER DE LA ROUE GAUCHE	HALTERUNG F. STUTZRAD
	861619 +	SUPPORTO RUOTA DX NGR	RHS WHEEL SUPPORT	PALIER DE LA ROUE DROITE	HALTERUNG F. STUTZRAD
606	823564 +	DISTANZIALE RUOTA NGR	WHEEL SPACER	ENTRETOISE	DISTANZRING
607	124802 +	PARAOLIO SCATOL. 55x80x12	OIL SEAL	JOINT D'HUILE	DICHTUNG
608	003025 +	CUSCINETTO 32208	ROLLER BEARING 32208	ROULEMENT 32208	KUGELLAGER 32208
609	823565 +	DISTANZIALE INT.RUOTA NGR	INNER SPACER	ENTRETOISE	DISTANZRING
610	015013 +	RUOTA IN FERRO d.500x225	WHEEL	ROUE	STUETZRAD
611	823553 +	RASCHIETTO RUOTA NGR	SCRAPER	RACLOIR	ABSTREIFER
612	014214	VITE TE 10x1,25x40 5738	BOLT	VIS	SCHRAUBE
613	011002	GROWER RETT RINF M 10	SPRING WASHER	RONDELLE GROWER	UNTERLEGSSCHEIBE
614	004058	DADO 10x1,25 UNI 5587 6S	NUT	ECROU	MUTTER
615	861650 +	PERNO RUOTA NGR D=40	WHEEL SUPPORT PIN NGR	PIVOT DE LA ROUE NGR	ZAPFEN D=40 NGR-RAD
616	008001	INGRASSATORE 8x1 DIRITTO	GREASE NIPPLE	GRAISSEUR DROIT	SCHMIERNIPPEL
617	013023	SPINA A SCATTO d. 6	SAFETY PIN d.6	GOUPILLE d.6	KLAPPSPLINT d.6
	013011	SPINA A SCATTO d.11	SAFETY PIN d.11	GOUPILLE d.11	SPLINT d.11
618	823552 +	PERNO SUPPORTO RUOTA NGR D=28	WHEEL SUPPORT PIVOT	AXE	STIFT
619	014271	VITE TE 12x1,25x65 5738	BOLT	VIS	SCHRAUBE
620	823551	CONTROPIASTRA RUOTE NGR	COUNTER PLATE	CONTRE-PLAQUE	GEGENPLATTE
621	423718	PERNO ATTACCO d.28x150	PIVOT	AXE	UNTERLENKERBOLZEN
622	013011	SPINA A SCATTO d.11	SAFETY PIN d.11	GOUPILLE d.11	SPLINT d.11
	013039	SPINA SICUR. + CATEN. d.11	SAFETY PIN d.11	GOUPILLE d.11	SPLINT d.11
623	004079	DADO AUTOBL 6S 12x1,25 A	SELF LOCKING NUT	ECROU	MUTTER SELBSTSICHERND
624	861671	CASTELLO 3P.RIPPER NGR200	RIPPER 3P. HITCH	ATTELAGE DU RIPPER	3P LENKER RIPPER NGR-200
	861672	CASTELLO 3P.RIPPER NGR230	RIPPER 3P. HITCH	ATTELAGE DU RIPPER	3P LENKER RIPPER NGR-230
	861673	CASTELLO 3P.RIPPER NGR255	RIPPER 3P. HITCH	ATTELAGE DU RIPPER	3P. LENKER RIPPER NGR-255
	861674	CASTELLO 3P.RIPPER NGR285	RIPPER 3P. HITCH	ATTELAGE DU RIPPER	3P. LENKER RIPPER NGR-285
	861675	CASTELLO 3P.RIPPER NGR310	RIPPER 3P. HITCH	ATTELAGE DU RIPPER	3P LENKER RIPPER NGR-310
	861677	CASTELLO 3P.RIPPER NGR350	RIPPER 3P. HITCH	ATTELAGE DU RIPPER	3P LENKER RIPPER NGR-350
	861679	CASTELLO 3P.RIPPER NGR400	RIPPER 3P. HITCH	ATTELAGE DU RIPPER	3P LENKER RIPPER NGR-400
625	823546	BRACCIO 3P.INF.L=418	LOWER 3P. ARM	BRAS INF.	ARM
626	004073	DADO AUTOBL 6S 20x1,5 A	SELF LOCKING NUT	ECROU	MUTTER SELBSTS
627	014158	VITE TE 20x1,5x70 5738	BOLT	VIS	SCHRAUBE
628	014129	VITE TE 20x1,5x80 5738	BOLT	VIS	SCHRAUBE
630	823524	BRACCIO LATERALE 3P SUP	UPPER 3 P. ATTACHMENT	SI BRAS SUP.	ARM
631	014132	VITE TE 20x1,5x140 5738	BOLT	VIS	SCHRAUBE
632	823566	BOCCOLA DISTANZ. 3 PUNTI	3P. SPACER	BOITE D'ESSIEU	BUECHSE
633	423719	PERNO ATTACCO d.25x150	PIVOT	AXE	OBERLENKERBOLZEN
634	823525	TIRANTE ATTACCO 3P d.25	3 P. BRACKET	TIRANT D'ATTACHE 3 P.	OBERLENKERARM
636	014232	VITE TE 20x1,5x110 5738	BOLT	VIS	SCHRAUBE
638	861532	TELAIO NG/8/200	MAIN FRAME	CHASSIS	RAHMEN
	861720 *	TELAIO NG/8/200	MAIN FRAME	CHASSIS	RAHMEN
	861533	TELAIO NG/8/230	MAIN FRAME	CHASSIS	RAHMEN
	861721 *	TELAIO NG/8/230	MAIN FRAME	CHASSIS	RAHMEN
	861534	TELAIO NG/10/255	MAIN FRAME	CHASSIS	RAHMEN
	861722 *	TELAIO NG/10/255	MAIN FRAME	CHASSIS	RAHMEN
	861535	TELAIO NG/10/285	MAIN FRAME	CHASSIS	RAHMEN
	861723 *	TELAIO NG/10/285	MAIN FRAME	CHASSIS	RAHMEN
	861536	TELAIO NG/12/310	MAIN FRAME	CHASSIS	RAHMEN
	861724 *	TELAIO NG/12/310	MAIN FRAME	CHASSIS	RAHMEN
	861537	TELAIO NG/12/350	MAIN FRAME	CHASSIS	RAHMEN
	861726 *	TELAIO NG/12/350	MAIN FRAME	CHASSIS	RAHMEN
	861538	TELAIO NG/14/400	MAIN FRAME	CHASSIS	RAHMEN
	861728 *	TELAIO NG/14/400	MAIN FRAME	CHASSIS	RAHMEN

Pos.	CODICE	DESCRIZIONE	DESCRIPTION	DESCRIPTION	BEZEICHUNG
639	823528	CAVALLOTTO PORTARUOTA	ANCHORAGE	BRIDE	BOCK
642	014190	VITE TE 20x1,5x50 5740	BOLT	VIS	SCHRAUBE
643	861613	TIRANTE COFANO NGR	STAY BAR	TIRANT DE CAPOT	SCHRAUBENBOLZEN NGR
644	861607	LATERALE COF.SUP.DEX NGR	RHS UPPER SHIELD	COTE' SUP. DROITE	RH SEITENBLECH NGR
645	861610	LATERALE COFANO DEX NGR	RHS SIDE SHIELD	COTE' DROITE	RH SEITENBLECH NGR
646	861661	TELAIO POSTER. NGR/200	REAR FRAME	CHASSIS ARRIERE	HINTERER RAHMEN NGR-200
	861662	TELAIO POSTER. NGR/230	REAR FRAME	CHASSIS ARRIERE	HINTERER RAHMEN NGR-230
	861663	TELAIO POSTER. NGR/255	REAR FRAME	CHASSIS ARRIERE	HINTERER RAHMEN NGR-255
	861664	TELAIO POSTER. NGR/285	REAR FRAME	CHASSIS ARRIERE	HINTERER RAHMEN NGR-285
	861665	TELAIO POSTER. NGR/310	REAR FRAME	CHASSIS ARRIERE	HINTERER RAHMEN NGR-310
	861667	TELAIO POSTER. NGR/350	REAR FRAME	CHASSIS ARRIERE	HINTERER RAHMEN NGR-350
	861669	TELAIO POSTER. NGR/400	REAR FRAME	CHASSIS ARRIERE	HINTERER RECHEN NGR-400
647	014182	VITE TE 16x1,5x110 5738	BOLT	VIS	SCHRAUBE
648	823561	CERNIERA VENTOLA NGR	REAR SHIELD HINGE	ARTICULATION	SCHARNIER
649	861631	RASTRELLO NGR/200	REAR RAKE	RATEAU NGR/200	RECHEN NGR-200
	861632	RASTRELLO NGR/230	REAR RAKE	RATEAU NGR/230	RECHEN NGR-230
	861633	RASTRELLO DEX NGR/255	REAR RAKE	RATEAU DROITE NGR/255	RH RECHEN NGR-255
	861634	RASTRELLO DEX NGR/285	REAR RAKE	RATEAU DROITE NGR/285	RH RECHEN NGR-285
	861635	RASTRELLO DEX NGR/310	REAR RAKE	RATEAU DROITE NGR/310	RH RECHEN NGR-310
	861637	RASTRELLO DEX NGR/350	REAR RAKE	RATEAU DROITE NGR/350	RH RECHEN NGR-350
	861639	RASTRELLO DEX NGR/400	REAR RAKE	RATEAU DROITE NGR/400	RH RECHEN NGR-400
650	861643	RASTRELLO SIN NGR/255	REAR RAKE	RATEAU GAUCHE NGR/255	LH RECHEN NGR-255
	861644	RASTRELLO SIN NGR/285	REAR RAKE	RATEAU DROITE NGR/285	LH RECHEN NGR-285
	861645	RASTRELLO SIN NGR/310	REAR RAKE	RATEAU DROITE NGR/310	LH RECHEN NGR-310
	861647	RASTRELLO SIN NGR/350	REAR RAKE	RATEAU GAUCHE NGR/350	LH RECHEN NGR-350
	861649	RASTRELLO SIN NGR/400	REAR RAKE	RATEAU GAUCHE NGR/400	LH RECHEN NGR-400
651	861651	VENTOLA NGR/200	BONNET	TABLIER ARRIERE	SCHUTZSCHILD
	861652	VENTOLA NGR/230	BONNET	TABLIER ARRIERE	SCHUTZSCHILD
	861653	VENTOLA NGR/255	BONNET	TABLIER ARRIERE	SCHUTZSCHILD
	861654	VENTOLA NGR/285	BONNET	TABLIER ARRIERE	SCHUTZSCHILD
	861655	VENTOLA NGR/310	BONNET	TABLIER ARRIERE	SCHUTZSCHILD
	861657	VENTOLA NGR/350	BONNET	TABLIER ARRIERE	SCHUTZSCHILD
	861659	VENTOLA NGR/400	BONNET	TABLIER ARRIERE	SCHUTZSCHILD
652	014106	VITE TE 12x1,25x25 5740	BOLT	VIS	SCHRAUBE
653	411524	CERNIERA REGOL VENTOLA	HINGE	CHARNIERE	GELENK
654	014257	VITE TE 12x1,25x70 5738	BOLT	VIS	SCHRAUBE
655	422529	ASTA REGOLAZ VENTOLA	TRAILING BOARD ADJ. ARM	BRAS DE REGLAGE DU TABLIE	REGULIERUNGSSTAB - KLAPPE
656	423557	MOLLA VENTOLA	SPRING	RESSORT	FEDER
657	423560	SUPP OSCILLANT VENTOLA	HOUSING	PALIER	HALTERUNG
658	014146	VITE TE 12x1,25x35 SPEC.	BOLT	VIS	SCHRAUBE
659	010006	RONDELLA PIANA M 16 6592	WASHER	RONDELLE GROWER	SCHEIBE
660	004026	DADO 6S 16x1,5 5588	NUT	ECROU	MUTTER
661	423559	BRACCIO REGOL VENTOLA	REAR SHIELD REG. ARM	BRAS DE REGLAGE TABLIER C	FEDERSTANGENARM
	412596	BRACCIO REGOL VENTOLA	REAR SHIELD REG. ARM	BRAS DE REGLAGE TABLIER	FEDERSTANGENARM
662	014215	VITE TE 12x1,25x40 5738	BOLT	VIS	SCHRAUBE
663	423558	PERNO MOLLA	PIVOT	AXE	BOLZEN
664	002014	COPIGLIA A FORCELLA d.3,5	SPLIT PIN	GOUPILLE	HOHLSTIFT
665	004030	DADO 6S 12x1,25 A ZNT	NUT	ECROU	MUTTER
666	011003	GROWER RETT RINF M 12	SPRING WASHER	RONDELLE GROWER	UNTERLEGSSCHEIBE
667	861609	LATERALE COFANO SIN NGR	LHS SIDE SHIELD	COTE' GAUCHE	LH SEITENBLECH NGR
668	085009	DECALCOMANIA	ADHESIVE	DECALCOMANIE	ABZIEHBILD
669	014198	VITE TE 16x1,5x50 5738	BOLT	VIS	SCHRAUBE
670	861608	LATERALE COF.SUP.SIN NGR	LHS UPPER SHIELD SIDE-PLATE	COTE' SUP. GAUCHE	LH SEITENBLECH NGR
671	014221	VITE TE 16x1,5x65 zn 5738	BOLT	VIS	SCHRAUBE
672	823563	DISTANZI.PER TUBO RIPUNTAT	SPACER	ENTRETOISE	DISTANZRING
673	861621	SUPPORTO RIPUNT.NGR/200	RIPPER SUPPORT	SUPPORT DU RIPPER	HALTERUNG F. TIEFENLOCKER
	861622	SUPPORTO RIPUNT.NGR/230	RIPPER SUPPORT	SUPPORT DU RIPPER	HALTERUNG F. TIEFENLOCKER



CELLI S.p.A.

**MODELLO NG**

Tavola

NG 32 01 4/4

Data ultimo aggiornamento

06/10/1992

Pos.	CODICE	DESCRIZIONE	DESCRIPTION	DESCRIPTION	BEZEICHUNG
673	861623	SUPPORTO RIPUNT.NGR/255	RIPPER SUPPORT	SUPPORT DU RIPPER	HALTERUNG F. TIEFENLOCKER
	861624	SUPPORTO RIPUNT.NGR/285	RIPPER SUPPORT	SUPPORT DU RIPPER	HALTERUNG F. TIEFENLOCKER
	861625	SUPPORTO RIPUNT.NGR/310	RIPPER SUPPORT	SUPPORT DU RIPPER	HALTERUNG F. TIEFENLOCKER
	861627	SUPPORTO RIPUNT.NGR/350	RIPPER SUPPORT	SUPPORT DU RIPPER	HALTERUNG F. TIEFENLOCKER
	861629	SUPPORTO RIPUNT.NGR/400	RIPPER SUPPORT	SUPPORT DU RIPPER	HALTERUNG F. TIEFENLOCKER
674	008002	INGRASSATORE 6x1 DIRITTO	GRASE NIPPLE	GRAISSEUR DROIT	SCHMIER NIPPEL

\* DA MATRICOLA N. 5090250  
 \* FROM MATRICULA Nr. 5090250  
 \* DE MATRICULE Nr. 5090250  
 \* VON MATRIKEL Nr. 5090250

+ DA MATRICOLA N. 5090250  
 + FROM MATRICULA Nr. 5090250  
 + DE MATRICULE Nr. 5090250  
 + VON MATRIKEL Nr. 5090250

Pos.	CODICE	DESCRIZIONE	DESCRIPTION	DESCRIPTION	BEZEICHUNG
	871510 **	COPPIA RUOTE NG +SUPPORTI	SET OF 2 WHEELS +BRACKETS	COUPLE ROUES A/SUPPORTS	RAEDER-PAAR M/ANBAUTEILEN
800	823529	CAVALLOTTO PORTARUOTA	ANCHORAGE	BRIDE	BOCK
801	823531	PASTIGLIA PER CAVALLOTTO	U-BOLT SPACER	PASTILLE POUR CAVALIER	BEILAGSCHEIBE FUER BUEGELSCHRAUBE
803	004072	DADO AUTOBL 6S 16x1,5 A	SELF LOCKING NUT	ECROU	MUTTER SELBSTS
804	961500	SUPP PORTA ASTA RUOTA NG	WHEEL BRACKET	SUPPORT	HALTERUNG
805	823528	CAVALLOTTO PORTARUOTA d.16 I380	ANCHORAGE	BRIDE	BOCK
806	423745	PERNO d.22x150 FORI d.8	PIVOT	AXE	BOLZEN
807	013023	SPINA A SCATTO d. 6	SAFETY PIN d.6	GOUPILLE d.6	KLAPPSPLINT d.6
808	961502	TUBO PORTA RUOTA DES NG	RHS WHEEL BEARER	TUBE PORTE-ROUE, DROITE	RH RAEDERROHRSTAENDER
	961501	TUBO PORTA RUOTA SIN NG	LHS WHEEL BEARER	TUBE PORTE-ROUE, GAUCHE	LH RAEDERROHRSTAENDER
809	004058	DADO 10x1,25 UNI 5587 6S	NUT	ECROU	MUTTER
810	011002	GROWER RETT RINF M 10	SPRING WASHER	RONDELLE GROWER	UNTERLEGSCHNEIBE
811	923502	RASCHIETTO DES xRUOTA NG	SCRAPER	RACLOIR	RECHTER ABSTREIFER
	923501	RASCHIETTO SIN xRUOTA NG	SCRAPER	RACLOIR	LINKER ABSTREIFER
812	014150	VITE TE 10x1,25x35 5740	BOLT	VIS	SCHRAUBE
813	124802	PARAOLIO SCATOL. 55x80x12	OIL SEAL	JOINT D'HUILE	DICHTUNG
814	003141	CUSCINETTO 32010	ROLLER BEARING 32010	ROULEMENT 32010	KUGELLAGER 32010
815	015013	RUOTA FERRO d.500x225 NG	WHEEL	ROUE	STUETZRAD
816	003002	CUSCINETTO 30208	ROLLER BEARING 30208	ROULEMENT 30208	KUGELLAGER 30208
817	923500	RONDELLA M 33x7	WASHER	RONDELLE	SCHEIBE
818	004014	DADO CORONA 6S 33x2 5594	CROWN NUT 33x2	ECROU FREIN 33x2	KRONENMUTTER 33x2
819	923503	DISTANZIALE xCAPPELOTTO	SPACER	ENTRETOISE	DISTANZRING
820	015014	CAPPELOTTO d. 72	PLUG	CAPUCHON	DECKEL
821	002004	COPIGLIA d.4,5x45 1336	SPLIT PIN 4,5x45	GOUPILLE 4,5x45	HOHLSTIFT 4,5x45

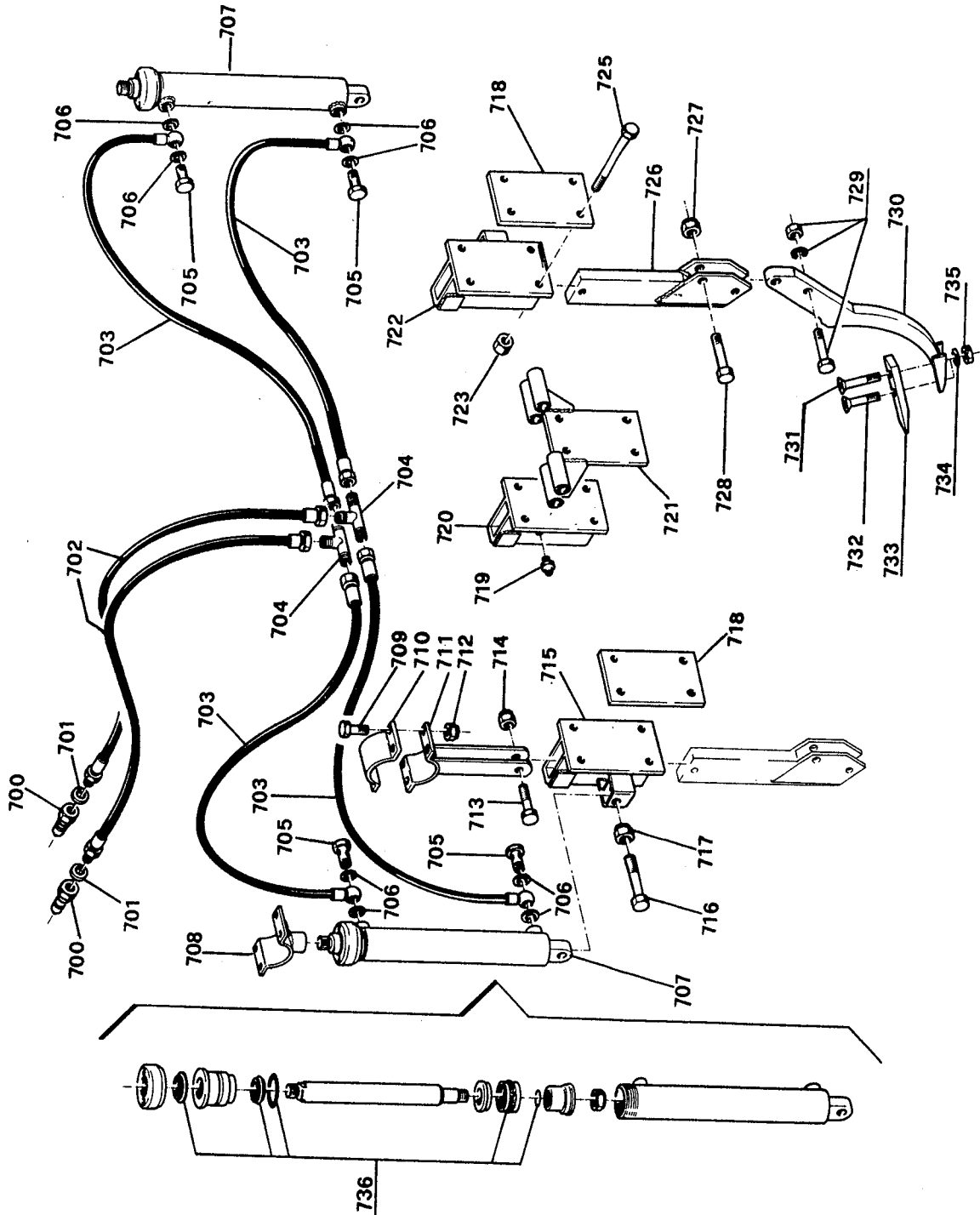
\*\* DA MATRICOLA N. 5090250

\*\* FROM MATRICULA Nr. 5090250

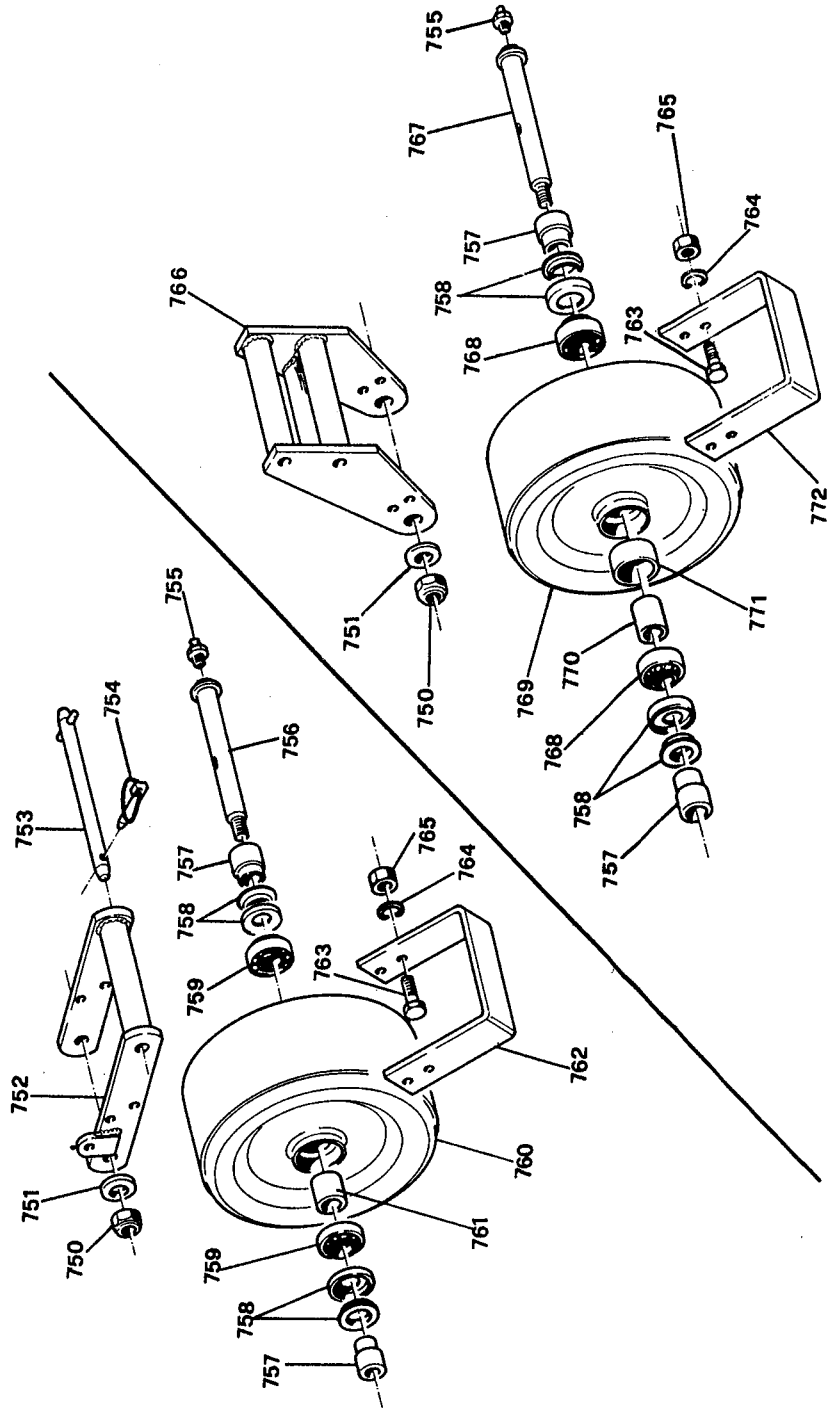
\*\* DE MATRICULE Nr. 5090250

\*\* VON MATRIKEL Nr. 5090250





Pos.	CODICE	DESCRIZIONE	DESCRIPTION	DESCRIPTION	BEZEICHUNG
700	022082	INNESTO RAPID MASCHIO 1/2	SHAP-ON COUPLING	JOINT A BAIONNETTE	BAJONETT KUPPLUNG
701	022087	ROSETTA RAME 21,5x27x1,5	COPPER WASHER	ROSETTE CUIVRE	KUPFER-RING
702	023057	TUBO 100 R2 3/8 L=3200 mm	TUBE L=3200 MM	TUBE 3/8 L3200	ROHR L=3200 MM
703	023051	TUBO 100 R2 3/8 L=1250 mm	TUBE	TUBE 3/8 L1250	ROHR
	023053	TUBO 100 R2 3/8 L=1350 mm	TUBE 13/8 L=1350 MM	TUBE 3/8 L1350	ROHR 3/8 L=1350 MM
	023055	TUBO 100 R2 3/8 L=1600 mm	TUBE L=1600 MM	TUBE 3/8 L1600	ROHR L=1600 MM
704	023063	RACCORDO MASCHIO T 3/8"	CONNECTOR	RACCORD	ANSCHLUSS
705	022070	VITE FORATA 3/8" GAS	HOLLOW SCREW	VIS CREUSE	SCHRAUBE
706	022086	ROSETTA RAME 17x23x1,5	COPPER WASHER	ROSETTE CUIVRE	KUPFER-RING
707	871513	MARTINETTO RIPUNTAT.NGR	RIPPER HYDR. RAM	VERIN	HYDRAULISCHER ZYLINDER
708	861606	SUPPORTO ATT.MARTINETTO	HYDR. RAM ATTACHMENT	SUPPORT POUR VERIN HYDR.	HALTERUNG
709	014146	VITE TE 12x1,25x35 SPECIALE	BOLT	VIS	SCHRAUBE
710	823562	SUPPORTO RIPUNT.NGR	RIPPER SUPPORT	SUPPORT POUR RIPPER	HALTERUNG F.TIEFENLOCKER
711	861605	SUPPORTO ATTACCO RIPUNT.	RIPPER ATTACH. SUPPORT	SUPPORT	HALTERUNG
712	004079	DADO AUTOBL 6S 12x1,25 A	SELF LOCKING NUT	ECROU	MUTTER SELBSTSICHERND
713	014185	VITE TE 16x1,5x70 ZNT 738	BOLT	VIS	SCHRAUBE
714	004072	DADO AUTOBL 6S 16x1,5 A	SELF LOCKING NUT	ECROU	MUTTER SELBSTS
715	861602	TASCHETTA RIPUNT.SIN.	LHS U PLATE GUIDE	PETIT POCHE	LH TASCHENHALTERUNG
716	014158	VITE TE 20x1,5x70 5738	BOLT	VIS	SCHRAUBE
717	004073	DADO AUTOBL 6S 20x1,5 A	SELF LOCKING NUT	ECROU	MUTTER SELBSTS
718	811515	PIASTRA TASCHETTA RIPPER	STAY PLATE	PLAQUE	PLATTE
719	008009	INGRASSATORE 1/4" GAS T2	GREASE NIPPLE 1/4" GAS T2	GRAISSEUR 1/4" GAS T2	SCHMIERNIPPEL 1/4" GAS T2
720	861604	TASCHETTA CENTRALE RIP.	CENTRAL U PLATE GUIDE	PETIT POCHE	MITTE TASCHENHALTERUNG
721	811515	PIASTRA TASCHETTA RIPPER	STAY PLATE	PLAQUE	PLATTE
722	861603	TASCHETTA RIPUNT.DEX	RHS U PLATE GUIDE	PETITE POCHE DROITE	RH TASCHENHALTERUNG
723	004072	DADO AUTOBL 6S 16x1,5 A	SELF LOCKING NUT	ECROU	MUTTER SELBSTS
725	014285	VITE TE 16x1,5x200 5738	BOLT	VIS	SCHRAUBE
726	861600	BRACCIO ATTACCO RIPUNTAT.	RIPPER ATTACH. ARM	BRAS D'ATTELAGE DU RIPPER	ARM
727	004073	DADO AUTOBL 6S 20x1,5 A	SELF LOCKING NUT	ECROU	MUTTER SELBSTS
728	014129	VITE TE 20x1,5x80 5738	BOLT	VIS	SCHRAUBE
729	014266	BULLONE TDE M16x2x70 5727	BOLT	VIS	SICHERHEITSSCHRAUBE
	014275	BULLONE TDE18x2,5x90 5727	BOLT	VIS	SICHERHEITSSCHRAUBE
730	861601	ANCORA PER RIPUNTAT.COMPL	RIPPER LEG	BRAS DU RIPPER	UNTERGRUNDLOCKERER-ARM
731	014268	VITE TSPEI 12x1,75x70 UNI	BOLT	VIS	SCHRAUBE
732	014273	VITE TSPEI 12x1,75x60 UNI	BOLT	VIS	SCHRAUBE
733	823560	SCALPELLO PER RIPUNTATORE	BLADE	BURIN PLAT	MESSER
734	011003	GROWER RETT RINF M 12	SPRING WASHER	RONDELLE GROWER	UNTERLEGSSCHEIBE
735	004003	DADO 6S 12x1,75 A	NUT	ECROU	MUTTER
736	871511	GRUPPO GUARNIZ. MARTINETTO	HYDR. RAM SEAL GROUP	GROUPE D'ETANCHEITE	DICHTUNGSGRUPPE



Pos.	CODICE	DESCRIZIONE	DESCRIPTION	DESCRIPTION	BEZEICHUNG
750	004078	DADO AUTOBL 8G 24x2 B	SELF LOCKING NUT 24x2	ECROU NILSTOP 24x2	MUTTER 24x2
751	010011	RONDELLA ALTA RESIST M 24	WASHER	RONDELLE	SCHEIBE
752	861615	SUPPORTO RUOTA SINISTRO	L.H.S. HOUSING	PALIER GAUCHE	LINKS HALTERUNG
	861614	SUPPORTO RUOTA DESTRO	R.H.S. HOUSING	PALIER DROIT	RECHTS HALTERUNG
753	823544	PERNO d. 22 l=445	PIVOT	AXE	BOLZEN
754	013023	SPINA A SCATTO d. 6	SAFETY PIN d.6	GROUPILLE d.6	KLAPPSPLINT d.6
755	008001	INGRASSATORE 8x1 DIRITTO	GREASE NIPPLE	GRAISSEUR DROIT	SCHMIERNIPPEL
756	861526	PERNO RUOTA d.30 l=370	PIVOT	AXE	BOLZEN
757	823540	DISTANZIALE RUOTA NGR	SPACER	ENTRETOISE COMMANDER	DISTANZRING
758	099017	GRUPPO PARAPOLV d.35xd.62	DUST-COVER RING	BAGUE PARA-POUSSIERE	STAUBSCHUTZ RING
759	003073	CUSCINETTO 30206	ROLLER BEARING 30206	ROULEMENT 30206	KUGELLAGER 30206
760	015011	RUOTA IN FERRO 500x225	WHEEL	ROUE	STUTZRAD
761	823555	DISTANZ. RUOTE NGR L=167	SPACER	ENTRETOISE	DISTANZRING
762	823545	RASCHIETTO	SCRAPER	RACLOIR	SCHABER
763	014214	VITE TE 10x1,25x40 5738	BOLT	VIS	SCHRAUBE
764	011002	GROWER RETT RINF M 10	SPRING WASHER	RONDELLE GROWER	UNTERLEGSCHNEIBE
765	004058	DADO 10x1,25 UNI 5587 6S	NUT	ECROU	MUTTER
766	861527	SUPPORTO RUOTA	HOUSING	PALIER	HALTERUNG
767	861526	PERNO RUOTA d.30 l=360	PIVOT	AXE	BOLZEN
768	003090	CUSCINETTO 6206 Z	BALL BEARING 6206 Z	ROULEMENT 6206 Z	KUGELLAGER 6206 Z
769	015009	RUOTA IN FERRO d.500x225	WHEEL	ROUE	STUETZRAD
770	823538	DISTANZ.CUSCIN.RUOTA NGR	WHEEL BEARING SPACER	ENTRETOISE COMMANDER	DISTANZRING
771	823539	DISTANZ.L=75 RUOTA NGR	SPACER	ENTRETOISE	DISTANZRING
772	823545	RASCHIETTO	SCRAPER	RACLOIR	SCHABER