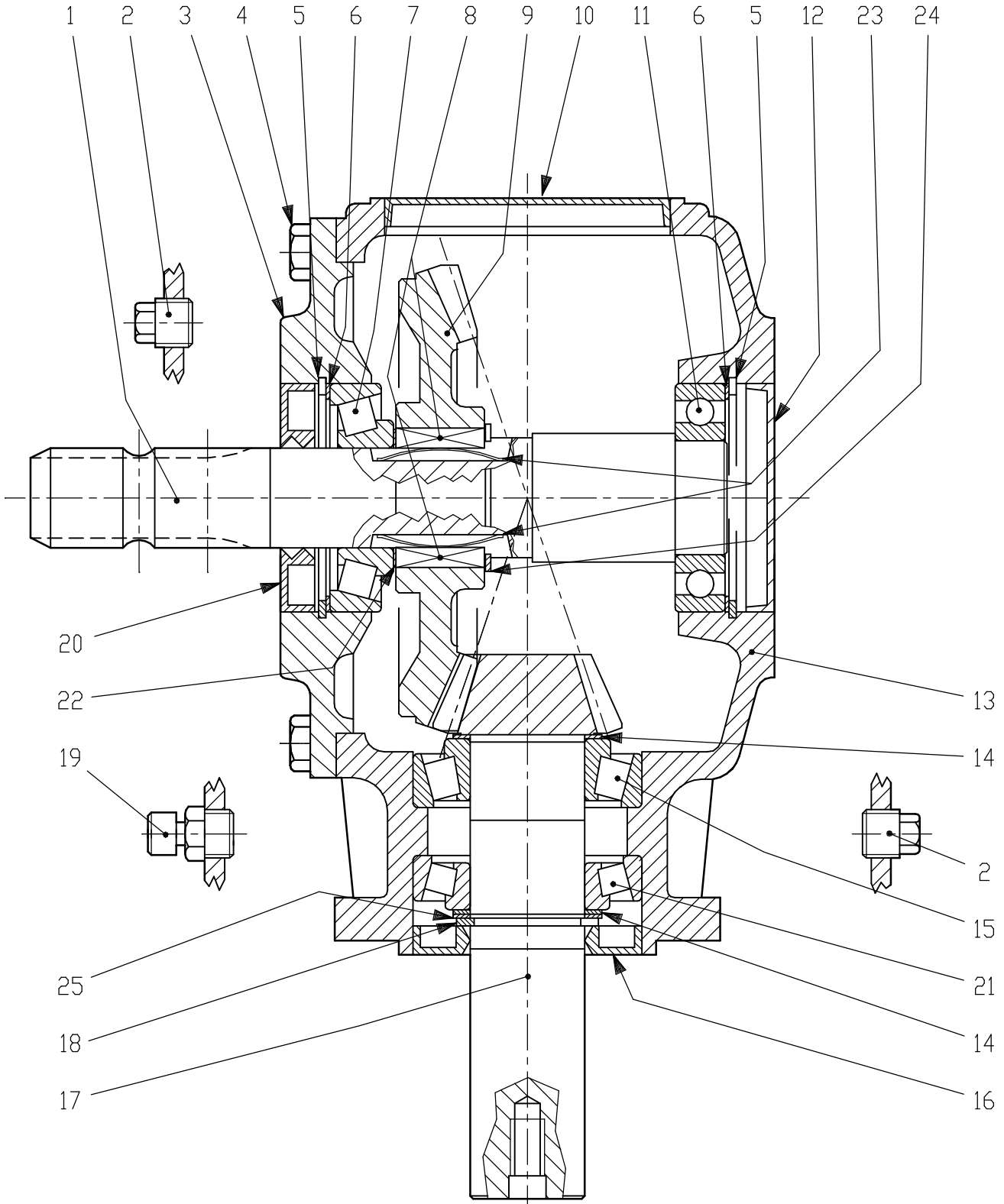


| | | | |
|-------|------------|---------------|------------|
| DITTA | RIF | DENOMINAZIONE | T-312 A |
| | DATA | CODICE | 312.762.10 |
| | 14-02-2002 | | |



S.d.M.
10.8218

| | | |
|-------------|----------|--------|
| DESIGNATION | GEAR BOX | T-312A |
|-------------|----------|--------|

| | |
|---------|--------------|
| CODE N° | 9.312.762.10 |
|---------|--------------|

| POS. | DRG. N. | PIEC | DESCRIPTION |
|------|---------------|------|---------------------------|
| 1 | 0.312.3005.00 | 1 | SHAFT 1"3/8 Z6 |
| 2 | 8.6.5.00006 | 3 | PLUG 3/8"GAS |
| 3 | 0.312.1300.00 | 1 | COVER |
| 4 | 8.1.1.00061 | 8 | BOLT M10X25 8,8 |
| 5 | 8.5.2.00030 | 2 | SNAP RING 80 UNI7437 |
| 6 | 0.267.7500.00 | 2 | SHIM 79.9 |
| 7 | 8.0.9.00129 | 1 | BEARING 30307 |
| 8 | 0.267.7109.00 | 2 | PARALLEL KEY |
| 9 | 0.312.6005.00 | 1 | CROWN WHEEL Z36 M4.58 |
| 10 | 8.7.0.00975 | 1 | CAP 100x10 |
| 11 | 8.0.1.00871 | 1 | BEARING 6208 |
| 12 | 8.7.0.00790 | 1 | CAP 80X10 |
| 13 | 0.312.0300.00 | 1 | CASING |
| 14 | 0.244.7500.00 | 2 | SHIM KIT 40.3x51.5 |
| 15 | 8.0.9.00572 | 1 | BEARING 32208 |
| 16 | 8.7.3.00027 | 1 | OIL SEAL 40X80X10 |
| 17 | 0.312.5208.00 | 1 | PINION SHAFT Z12 M4.58 |
| 18 | 8.5.1.00680 | 1 | SNAP RING 40 UNI7436 |
| 19 | 8.6.7.00161 | 1 | OIL FILLER PLUG 3/8"GAS |
| 20 | 8.7.1.00315 | 1 | DOUBLE LIP SEAL 35X80 X10 |
| 21 | 8.0.9.01060 | 1 | BEARING 30208 |
| 22 | 0.259.7510.00 | 1 | SHIM 35.3x1 |
| 23 | 0.267.7110.00 | 2 | SPRING |
| 24 | 8.5.1.00712 | 1 | SNAP RING 42 UNI7435 |
| 25 | 0.113.7100.00 | 1 | SHIM |