



Power Harrow Tines

72



Rotary Hoe Blades

74



Spikes

78



Straight Blades

78



Large Rotor Protectors

79



Small Rotor Protectors

79



Fastening Bolts

80



# POWER HARROW TINES

CELLI

POWER HARROW TINES

PART NUMBER	SIZE	SUITS MODLES	BOLTS TO SUIT
622732 (LH)		DR GO Series Super GO Agile	014296
622733 (RH)			see page 80
622715 (LH)		ER ER/P Ranger Ranger/P	014296 (with nut)
622716 (RH)			014471 (without nut) For machines after year 2010
622604 (LH)		KR, KR/P Laser Energy Energy/P	014296 (with nut)
622603 (RH)			014471 - with 663037 rotor protector
			014221 - with 661746 rotor protector
			see page 80





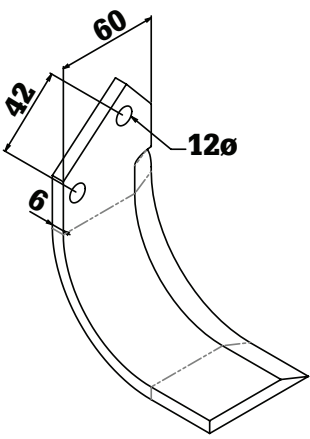
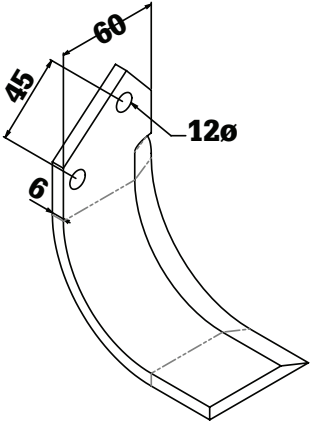
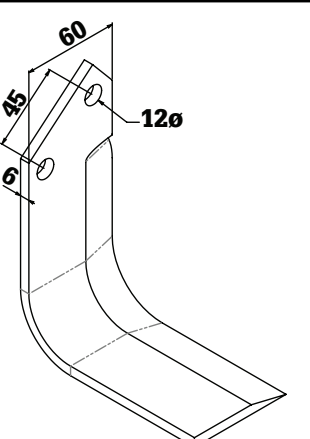
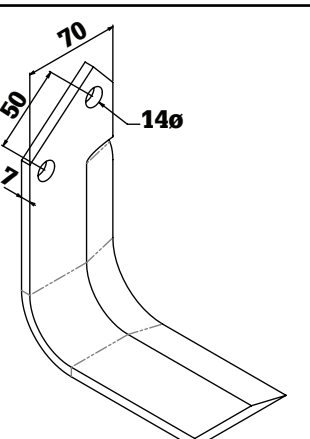
# POWER HARROW TINES

PART NUMBER	SIZE	SUITS MODLES	BOLTS TO SUIT
622613 (LH)		Maxi Maxi P	014416 (with nut) Older version Also with 2015 version with threaded rotor protectors.
622614 (RH)			014389 (for versions without nuts)  see page 80
622623 (LH)		Maxi Maxi P  <b>Tungsten Coated</b>	014416 (with nut) Older version Also with 2015 version with threaded rotor protectors.
622624 (RH)			014389 (for versions without nuts)  see page 80
622645 (LH)		Maxi Maxi P  <b>Extra Long Potato Tine</b>	014416 (with nut) Older version Also with 2015 version with threaded rotor protectors.
622644 (RH)			014389 (for versions without nuts)  see page 80

# ROTARY HOE BLADES

CELLI

ROTARY HOE BLADES

PART NUMBER	SIZE	SUITS MODLES	BOLTS TO SUIT
531512 (LH)		AG Start	014146  see page 80
531511 (RH)		<b>C Blade</b>	
522601 (LH)		FBA BA	014146  see page 80
522600 (RH)		<b>C Blade</b>	
522603 (LH)		FBA BA	014146  see page 80
522602 (RH)		<b>L Blade</b>	
331527 (LH)		Alpha C CE	014004  see page 80
331526 (RH)		<b>L Blade</b>	



# ROTARY HOE BLADES

PART NUMBER	SIZE	SUITS MODLES	BOLTS TO SUIT
331529 (LH)		Alpha CE	014004 see page 80
331528 (RH)		<b>C Blade</b>	
422513 (LH)		B Ergon E DE	014004 see page 80
422512 (RH)		<b>L Blade</b>	
422515 (LH)		B Ergon E DE	014004 see page 80
422514 (RH)		<b>C Blade</b>	
722534 (LH)		Pioneer Tiger K GT	014004 (8.8 grade) 014402 (10.9 grade)
722533 (RH)		<b>L Blade</b>	see page 80

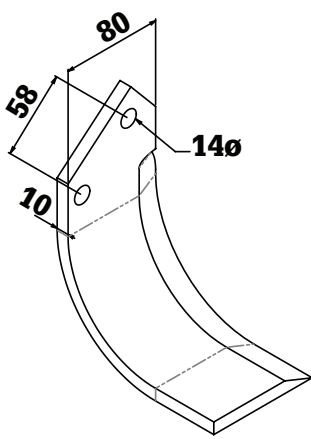
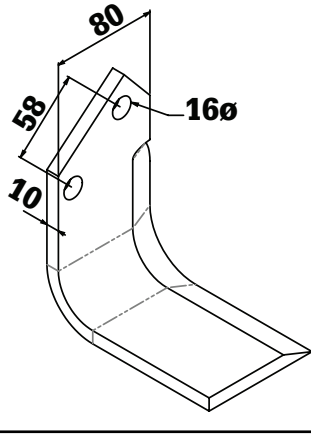
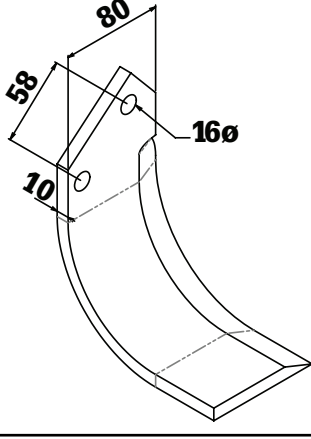
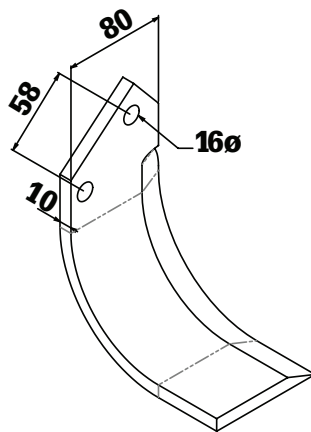
# ROTARY HOE BLADES

CELLI

ROTARY HOE BLADES

PART NUMBER	SIZE	SUITS MODLES	BOLTS TO SUIT
722538 (LH)		Pioneer Tiger K GT	014004 (8.8 grade)
722537 (RH)		<b>C Blade</b>	014402 (10.9 grade)  see page 80
722548 (LH)		Pioneer Tiger K GT	014004 (8.8 grade)
722547 (RH)		<b>L Blade</b>	014402 (10.9 grade)  014395 For machines with double flanges (Longer Bolt)
722598 (LH)		Pioneer Tiger K GT	014004 (8.8 grade)
722597 (RH)		<b>L Blade</b>  <b>Tungsten Coated</b>	014402 (10.9 grade)  014395 For machines with double flanges (Longer Bolt)
722558 (LH)		Pioneer Tiger K GT	014004 (8.8 grade)
722557 (RH)		<b>C Blade</b>	014402 (10.9 grade)  014395 For machines with double flanges (Longer Bolt)

# ROTARY HOE BLADES

PART NUMBER	SIZE	SUITS MODLES	BOLTS TO SUIT
722578 (LH)		Pioneer Tiger K GT	014004 (8.8 grade)
722577 (RH)		<b>C Blade</b>	014402 (10.9 grade)
		<b>Tungsten Coated</b>	014395 For machines with double flanges (Longer Bolt)
722561 (LH)		Machines with 16mm bolt holes.	014389  see page 80
722560 (RH)		<b>L Blade</b>	
722563 (LH)		Machines with 16mm bolt holes.	014389  see page 80
722562 (RH)		<b>C Blade</b>	
722588 (LH)		Machines with 16mm bolt holes.	014389  see page 80
722589 (RH)		<b>C Blade</b>	
		<b>Tungsten Coated</b>	

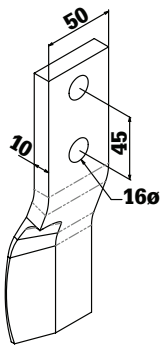
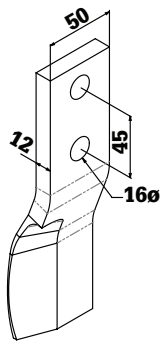


# SPIKES

PART NUMBER	SIZE	SUITS MODLES	BOLTS TO SUIT
422538		Pioneer Tiger Ergon  Size: 30x30x170mm	014311-P  see page 80
422539		Pioneer Tiger  Size: 30x30x203mm	014311-P  see page 80
422547		Pioneer Tiger Size: 30x30x203mm <b>Tungsten Dipped</b>	014311-P  see page 80


**\*Please note only 422538 is to be fitted to ERGON Spikes Rotors. Fitting longer spikes to ERGON can cause transmission damage.**

# STRAIGHT BLADES

PART NUMBER	SIZE	SUITS MODLES	BOLTS TO SUIT
422531 (LH)		All Frangor rotors	014261
422530 (RH)		10mm Option	
422631 (LH)		All Frangor rotors	014261
422630 (RH)		12mm Option	

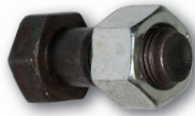


# ROTOR PROTECTORS

PART NUMBER	SIZE	SUITS
663037		Late model RANGER and ENERGY Machines after year 2010 with round rotor heads.
661746		RANGER and ENERGY Machines before year 2010 with rectangular rotor heads
622717		DR ER GO RANGER
622607		KR ENERGY

# BOLTS

ROTARY HOES (SOLD IN PACKS OF 10)		
CODE	SIZE	GRADE
014146-P	M12x35mm	8.8
014004-P	M14x40mm	8.8
014402-P	M14x40mm	10.9
014395-P	M14x55mm	10.9
014389-P	M16x45mm	12.9



POWER HARROWS (SOLD IN PACKS OF 10)		
CODE	SIZE	GRADE
014471-P	M16x40mm	8.8
014261-P	M16x45mm	8.8
014296-P	M16x60mm	8.8
014221-P	M16x65mm	8.8
014416-P	M16x65mm	12.9



SPIKES ROTORS (SOLD INDIVIDUALLY)		
CODE	SIZE	GRADE
014311-P	M10x90mm	12.9



STRAIGHT BLADES (PACKS OF 10)		
CODE	SIZE	GRADE
014261-P	M16x45mm	8.8



Power Harrow



Spikes Rotor



Straight Blade Rotor



Rotary Hoe



# QUANTITY CHART

ROTARY HOE BLADES																			
MODEL (CM)	85	105	125	130	145	155	165	180	205	230	255	280	305	355	400	450	500	550	600
MODEL (IN)	33"	40"	49"	51"	58"	61"	65"	70"	80"	90"	100"	110"	120"	140"	160"	180"	200"	220"	240"
START	16	20	24																
Ag	16	20	24		28														
FBA		30	36		42		48												
CE		24		30		36		42	48										
B				30		36		42	48										
E						36		42	48	54	60		72						
ERGON						36		42	48	54	60	66	72						
HHF								42	48	66									
K									48	54	60	66	72						
GT											60	66	72	84					
FORMULA													72	84					
PIONEER									48	54	60	66	72		90	102	114		
TIGER											60	66	72	84		102	114	126	140

SPIKES ROTORS									
MACHINE WIDTH	2M	2.3M	2.5M	2.8M	3M	3.5M	4M	5M	6M
	80"	90"	100"	110"	120"	140"	160"	200"	240"
No. Of Spikes	40	45	50	55	60	70	80	100	120

POWER HARROW TINES											
MACHINE WIDTH	1.5M	1.8M	2M	2.3M	2.5M	3M	3.5	4M	5M	6M	7M
No. Of Blades	12	14	16	18	20	24	28	32	40	48	56

FRANGOR STRAIGHT BLADES						
MACHINE WIDTH	2M	2.3M	2.5M	2.8M	3M	3.3M
	80"	90"	100"	110"	120"	130"
No. Of Blades	64	72	80	88	96	104