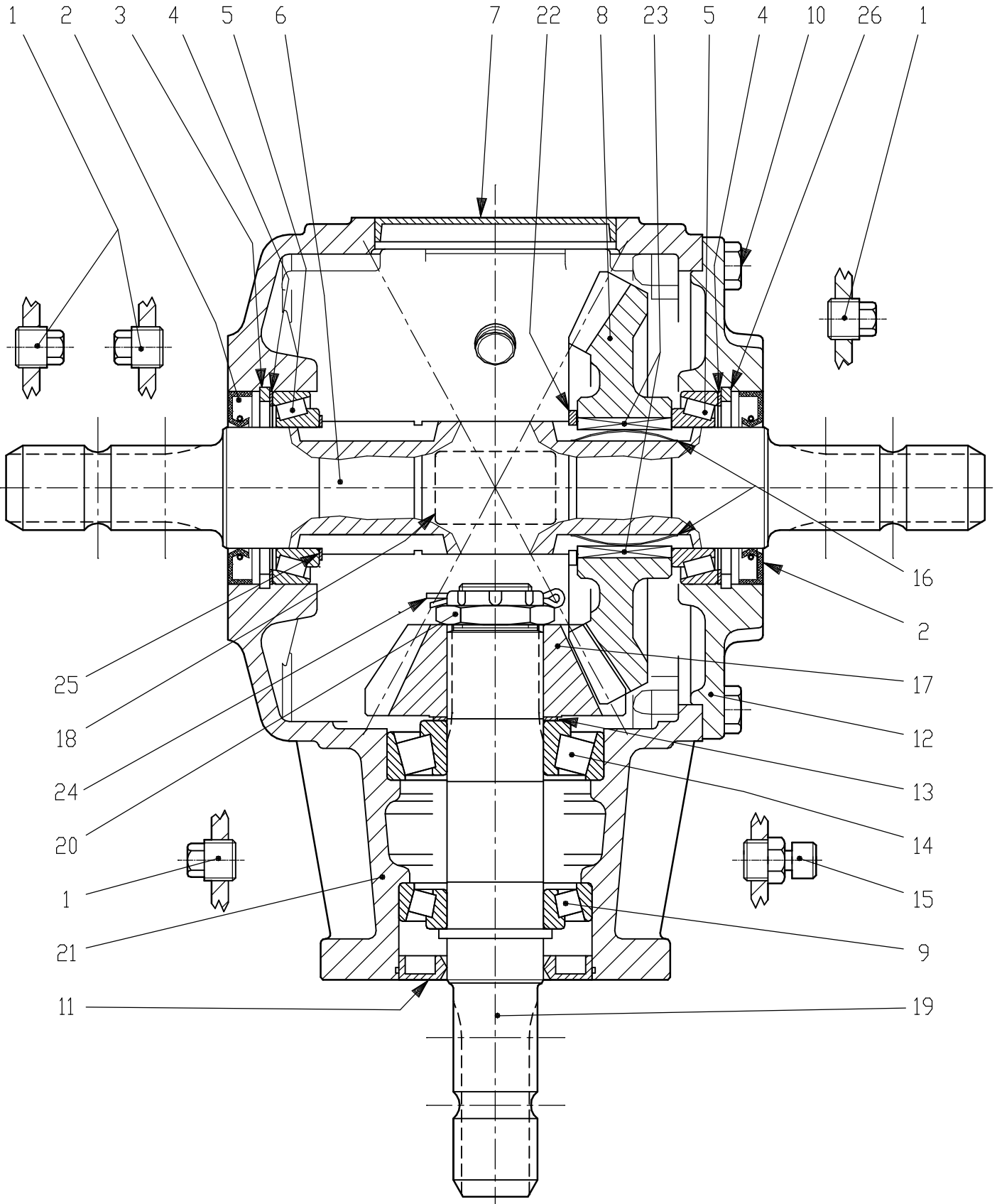


DITTA	RIF.	DENOMINAZIONE
		T-290 A
DATA	CODICE	
03-08-2001	290.740.00	



S.d.M.
01.8422

DESIGNATION GEAR BOX T-290A

CODE N° 9.290.740.00

POS.	DRG. N.	PIEC	DESCRIPTION
------	---------	------	-------------

1	8.6.5.00006	4	PLUG 3/8"GAS
2	8.7.3.00958	2	OIL SEAL 50X80X10
3	8.5.2.00030	1	SNAP RING 80 UNI7437
4	0.267.7500.00	2	SHIM 79.9
5	8.0.9.01241	2	BEARING 32010 X
6	0.290.3050.00	1	SHAFT
7	8.7.0.00975	1	CAP 100x10
8	0.292.6201.00	1	CROWN WHEEL M.6.35
9	8.0.9.00024	1	BEARING 30208
10	8.1.1.00061	8	BOLT M10X25 8,8
11	8.7.3.00027	1	OIL SEAL 40X80X10
12	0.290.1367.00	1	COVER
13	0.244.7500.00	1	SHIM KIT 40.3x51.5
14	8.0.9.00128	1	BEARING 30308
15	8.6.7.00161	1	OIL FILLER PLUG 3/8"GAS
16	0.269.7120.00	2	SPRING
17	0.272.6000.00	1	PINION Z15 M6.35
18	0.124.7101.00	1	PLATE
19	0.290.2001.00	1	SHAFT
20	0.132.7106.00	1	NUT M30X1.5
21	0.290.0309.00	1	CASING
22	8.5.1.00928	1	SNAP RING 55 UNI7436
23	0.269.7119.00	2	PARALLEL KEY
24	8.4.7.01111	1	COTTER PIN B4X55
25	0.777.7510.00	1	SHIM 59.8x1
26	8.5.2.01370	1	SNAP RING 80 UNI7438