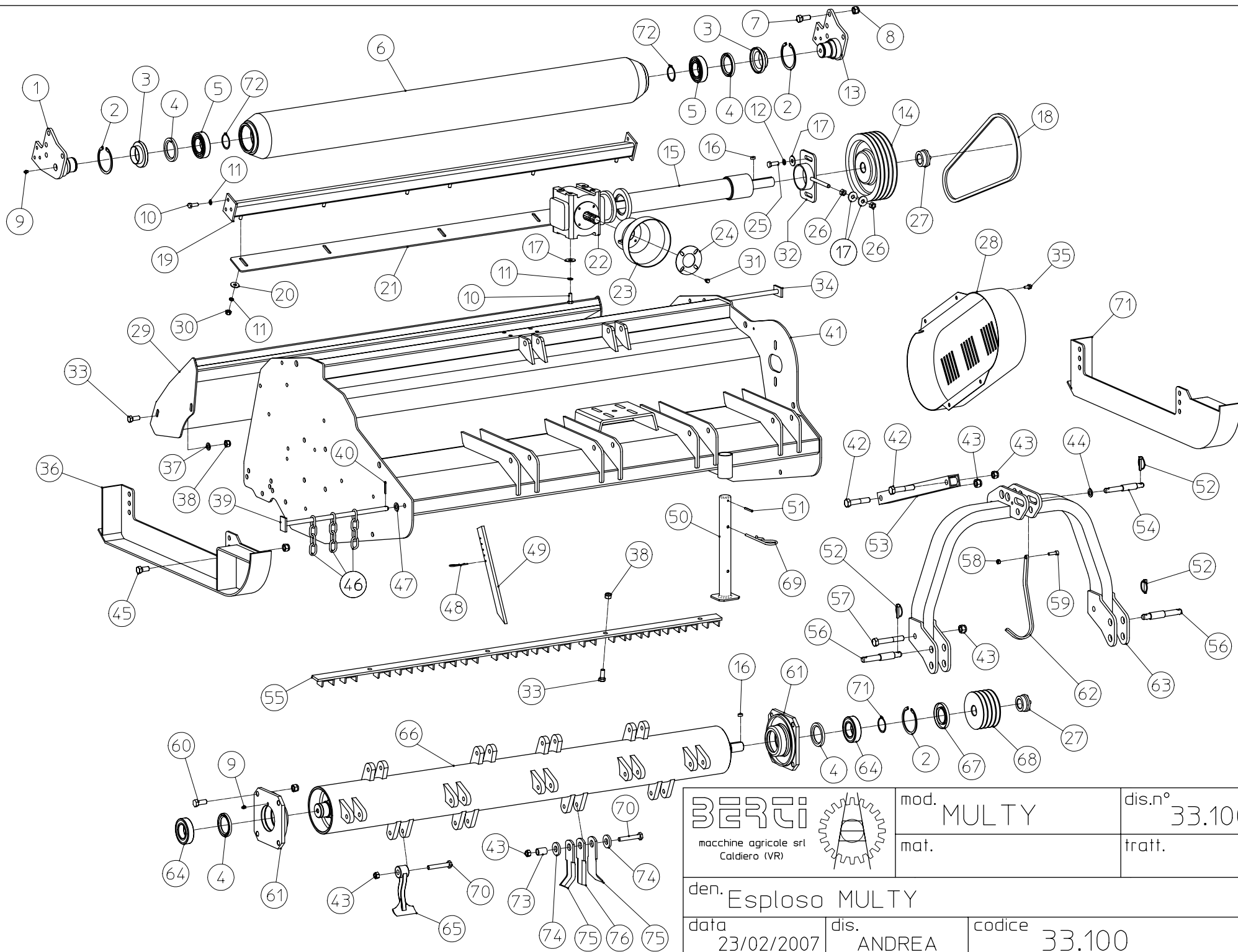





MULTY

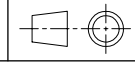
BERTI SPARE PARTS REFERENCE GUIDE



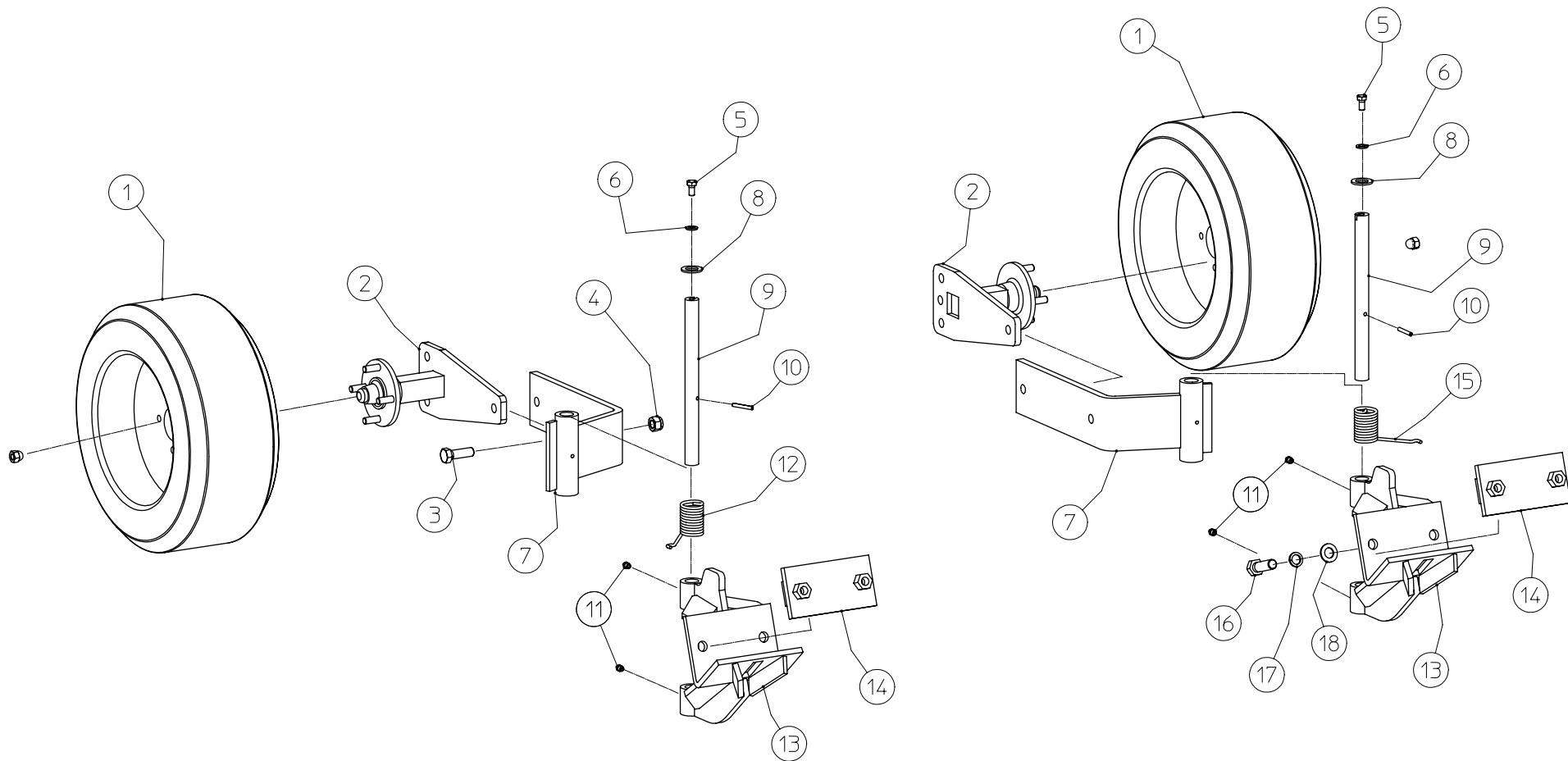


© Le informazioni contenute nel presente documento sono di proprietà della BERTI MACCHINE AGRICOLE SRL e non possono essere riprodotte o trasmesse a terzi in alcun modo senza esplicita approvazione scritta della BERTI MACCHINE AGRICOLE SRL o di un suo rappresentante debitamente autorizzato.


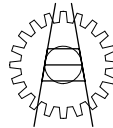
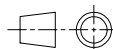
 macchine agricole srl Caldiero (VR)	mod. MULTY	dis.n° 33.100
	mat.	tratt.
den. Esploso MULTY		
data 23/02/2007	dis. ANDREA	codice 33.100



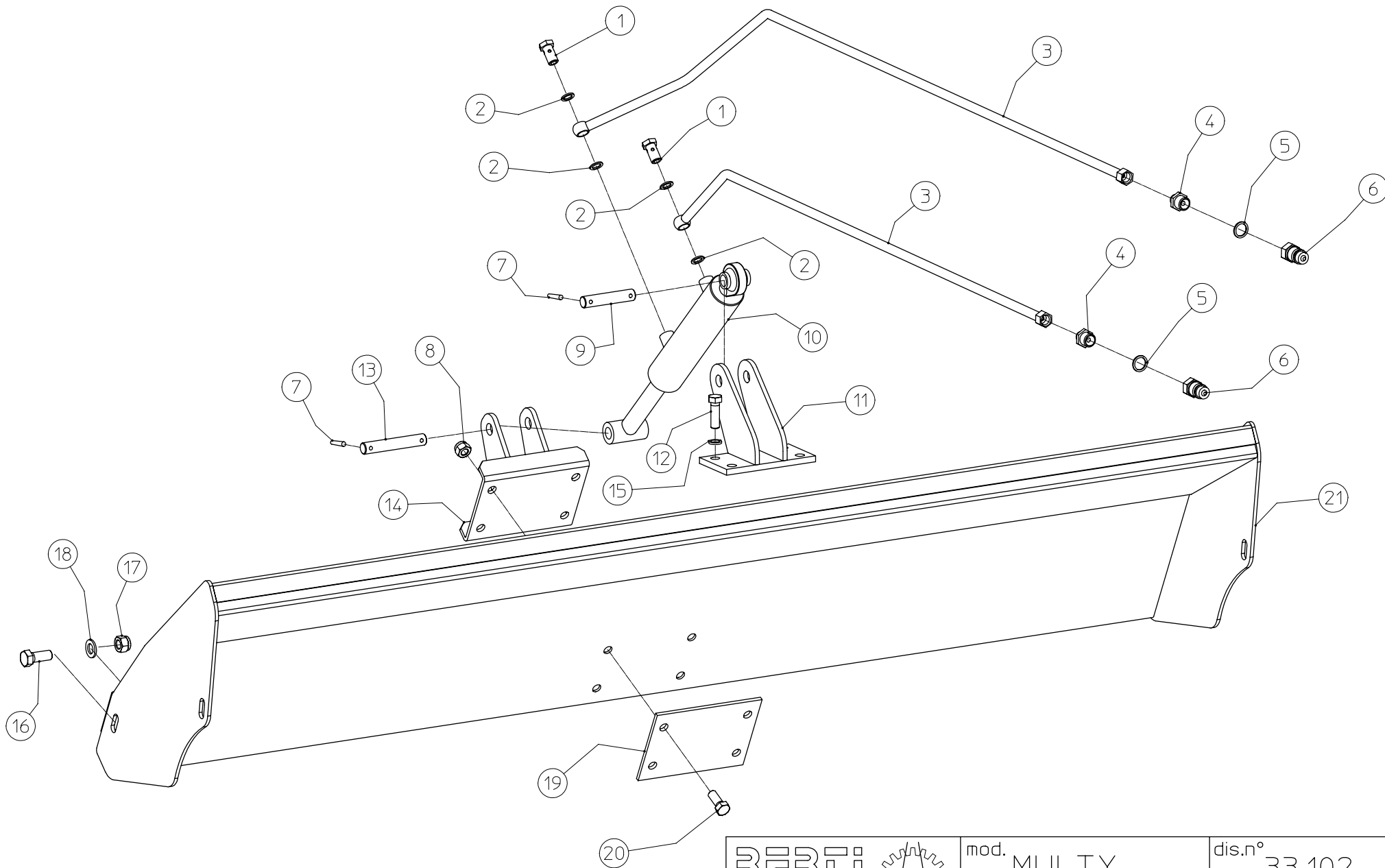
Pos.	ITEM	MULTY 160	MULTY 180	MULTY 200	MULTY 230	MULTY 250	
1	RH ROLLER BRACKET	PR193DX/2751	PR193DX/2751	PR193DX/2751	PR193DX/2751	PR193DX/2751	
2	CIRCLIP 110i	AS1110	AS1110	AS1110	AS1110	AS1110	
3	OIL SEAL PROTECTOR	GP193/1485	GP193/1485	GP193/1485	GP193/1485	GP193/1485	
4	SEAL RING 70x100x10	AT07010010	AT07010010	AT07010010	AT07010010	AT07010010	
5	BEARING 2212 C3	COS02212C3	COS02212C3	COS02212C3	COS02212C3	COS02212C3	
6	REAR ROLLER	RL193160	RL193180	RL193200	RL193230	RL193250	
7	SCREW TE M18x45	V180452TF088N	V180452TF088N	V180452TF088N	V180452TF088N	V180452TF088N	
8	SELF LOCKING NUT M18	DE18AL6SPGZAB	DE18AL6SPGZAB	DE18AL6SPGZAB	DE18AL6SPGZAB	DE18AL6SPGZAB	
9	GREASER	IN101XXDR	IN101XXDR	IN101XXDR	IN101XXDR	IN101XXDR	
10	SCREW TE M 12x35	V120352TF088N	V120352TF088N	V120352TF088N	V120352TF088N	V120352TF088N	
11	GROWER WASHER D.12	RG12XXARN	RG12XXARN	RG12XXARN	RG12XXARN	RG12XXARN	
12	GROWER WASHER D.14	RG14XXARN	RG14XXARN	RG14XXARN	RG14XXARN	RG14XXARN	
13	LH ROLLER BRACKET	PR193SX/2751	PR193SX/2751	PR193SX/2751	PR193SX/2751	PR193SX/2751	
14	PULLEY	PG280G4	PG280G4	PG280G4	PG280G4	PG280G4	
15	COMPLETE TRANSMISSION SHAFT	PC0615	PC0615	PC0780	PC0950	PC1060	
16	KEY 12x8x20	CH1208020	CH1208020	CH1208020	CH1208020	CH1208020	
17	WASHER	RF1442FN	RF1442FN	RF1442FN	RF1442FN	RF1442FN	
18	BELT XPB 1800	CIXPB1800	CIXPB1800	CIXPB1800	CIXPB1800	CIXPB1800	
19	ROLLER SCRAPER SUPPORT	SRTBM160	SRTBM180	SRTBM200	SRTBM230	SRTBM250	
20	WASHER	RF1236FN	RF1236FN	RF1236FN	RF1236FN	RF1236FN	
21	ROLLER SCRAPER	RF061580	RF061580	RF061580	RF061580	RF061580	
22	GEARBOX	S0312R125RL	S0312R125RL	S0312R125RL	S0312R125RL	S0312R125RL	
23	PTO CONE	CC005	CC005	CC005	CC005	CC005	
24	FLANGE	FRZ/1338	FRZ/1338	FRZ/1338	FRZ/1338	FRZ/1338	
25	SCREW M14x40	V140402TF088N	V140402TF088N	V140402TF088N	V140402TF088N	V140402TF088N	
26	NUT M14	DE14AL6SPGN	DE14AL6SPGN	DE14AL6SPGN	DE14AL6SPGN	DE14AL6SPGN	
27	CENTRE LOCK	CA4065	CA4065	CA4065	CA4065	CA4065	
28	PULLEYS PROTECTOR	CT/2053	CT/2053	CT/2053	CT/2053	CT/2053	
29	REAR HOOD	CC160/3807	CC180/3807	CC200/3807	CC230/3807	CC250/3807	
30	NUT M12	DE12AL6SPGN	DE12AL6SPGN	DE12AL6SPGN	DE12AL6SPGN	DE12AL6SPGN	
31	SCREW M8x12	V0801202TF109Z	V0801202TF109Z	V0801202TF109Z	V0801202TF109Z	V0801202TF109Z	
32	PLATE FOR BELTS ADJUSTMENT	PT08/0010	PT08/0010	PT08/0010	PT08/0010	PT08/0010	
33	SCREW M16x40	V160402TF088N	V160402TF088N	V160402TF088N	V160402TF088N	V160402TF088N	
34	REAR HOOD PIN	PE0141600/0568	PE0141800/0568	PE0142000/0568	PE0142300/0568	PE0142500/0568	
35	SCREW M10x16	V1001602TF109Z	V1001602TF109Z	V1001602TF109Z	V1001602TF109Z	V1001602TF109Z	
36	RH SKID	SLD/1825	SLD/1825	SLD/1825	SLD/1825	SLD/1825	
37	WASHER	RF1642FZ	RF1642FZ	RF1642FZ	RF1642FZ	RF1642FZ	
38	NUT M16	DE16AL6SPGZAB	DE16AL6SPGZAB	DE16AL6SPGZAB	DE16AL6SPGZAB	DE16AL6SPGZAB	
39	FRONT CHAINS ROD	PE0141630	PE0141830	PE0142030	PE0142330	PE0142530	
40	SPLIT PIN	CF005060	CF005060	CF005060	CF005060	CF005060	
41	CHASSIS	CC160/3815	CC180/3816	CC200/3817	CC230/3818	CC250/3819	
42	SCREW M20x100	V201002PF088N	V201002PF088N	V201002PF088N	V201002PF088N	V201002PF088N	
43	SELF LOCKING NUT M20	DE20BA6SPGZAB	DE20BA6SPGZAB	DE20BA6SPGZAB	DE20BA6SPGZAB	DE20BA6SPGZAB	
44	WASHER	RP18XXFN	RP18XXFN	RP18XXFN	RP18XXFN	RP18XXFN	
45	SCREW M18x40	V180402TF088N	V180402TF088N	V180402TF088N	V180402TF088N	V180402TF088N	
46	FRONT CHAIN	CGSZ010	CGSZ010	CGSZ010	CGSZ010	CGSZ010	
47	WASHER	RP14XXFN	RP14XXFN	RP14XXFN	RP14XXFN	RP14XXFN	
48	PIN	CM04Z	CM04Z	CM04Z	CM04Z	CM04Z	




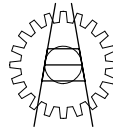
© Le informazioni contenute nel presente documento sono di proprietà della BERTI MACCHINE AGRICOLE SRL e non possono essere riprodotte o trasmesse a terzi in alcun modo senza esplicita approvazione scritta della BERTI MACCHINE AGRICOLE SRL o di un suo rappresentante debitamente autorizzato.

 macchine agricole srl Caldiero (VR)		mod. MULTY	dis.n° 33.101
			mat.
den. Esplso ruote MULTY			
data 22/02/2007	dis. ANDREA	codice 33.101	

Pos.	ITEM	MULTY 160	MULTY 180	MULTY 200	MULTY 230	MULTY 250	
1	WHEEL	R460190	R460190	R460190	R460190	R460190	
2	PLATE WITH STOCK	PM/2580	PM/2580	PM/2580	PM/2580	PM/2580	
3	SCREW M16x50	V160502TF088N	V160502TF088N	V160502TF088N	V160502TF088N	V160502TF088N	
4	M16 SELF LOCKING NUT	DE16AL6SPGZAB	DE16AL6SPGZAB	DE16AL6SPGZAB	DE16AL6SPGZAB	DE16AL6SPGZAB	
5	SCREW M10x20	V100202TF088N	V100202TF088N	V100202TF088N	V100202TF088N	V100202TF088N	
6	WASHER D.10	RP10XXFN	RP10XXFN	RP10XXFN	RP10XXFN	RP10XXFN	
7	STEERING WHEEL SUPPORT	SR/2578	SR/2578	SR/2578	SR/2578	SR/2578	
8	WASHER	RF1040FZ	RF1040FZ	RF1040FZ	RF1040FZ	RF1040FZ	
9	STEERING WHEEL PIN	PE/2583	PE/2583	PE/2583	PE/2583	PE/2583	
10	ELASTIC PIN Ø 6	SE06040	SE06040	SE06040	SE06040	SE06040	
11	GREASER	IN101XXDR	IN101XXDR	IN101XXDR	IN101XXDR	IN101XXDR	
12	RH SPIN FOR STEERING WHEEL	MD/2759	MD/2759	MD/2759	MD/2759	MD/2759	
13	STEERING WHEEL SUPPORT	SR/3833	SR/3833	SR/3833	SR/3833	SR/3833	
14	FIXING BRACKET	SF/3848	SF/3848	SF/3848	SF/3848	SF/3848	
15	LH SPIN FOR STEERING WHEEL	MS/2760	MS/2760	MS/2760	MS/2760	MS/2760	
16	SCREW M18x60	V180602TF088N	V180602TF088N	V180602TF088N	V180602TF088N	V180602TF088N	
17	WASHER D.18	RG18XXARN	RG18XXARN	RG18XXARN	RG18XXARN	RG18XXARN	
18	WASHER D.18	RP18XXFN	RP18XXFN	RP18XXFN	RP18XXFN	RP18XXFN	
19							
20							
21							
22							
23							
24							
25							
26							
27							
28							
29							
30							
31							
32							
33							
34							
35							
36							
37							
38							
39							
40							
41							
42							
43							
44							
45							
46							
47							
48							



© Le informazioni contenute nel presente documento sono di proprietà della BERTI MACCHINE AGRICOLE SRL e non possono essere riprodotte o trasmesse a terzi in alcun modo senza esplicita approvazione scritta della BERTI MACCHINE AGRICOLE SRL o di un suo rappresentante debitamente autorizzato.

 macchine agricole srl Caldiero (VR)		mod. MULTY	dis.n° 33.102
			mat.
den. Esplosa cofano idraulico MULTY			
data 03/03/2007	dis. ANDREA	codice 33.102	