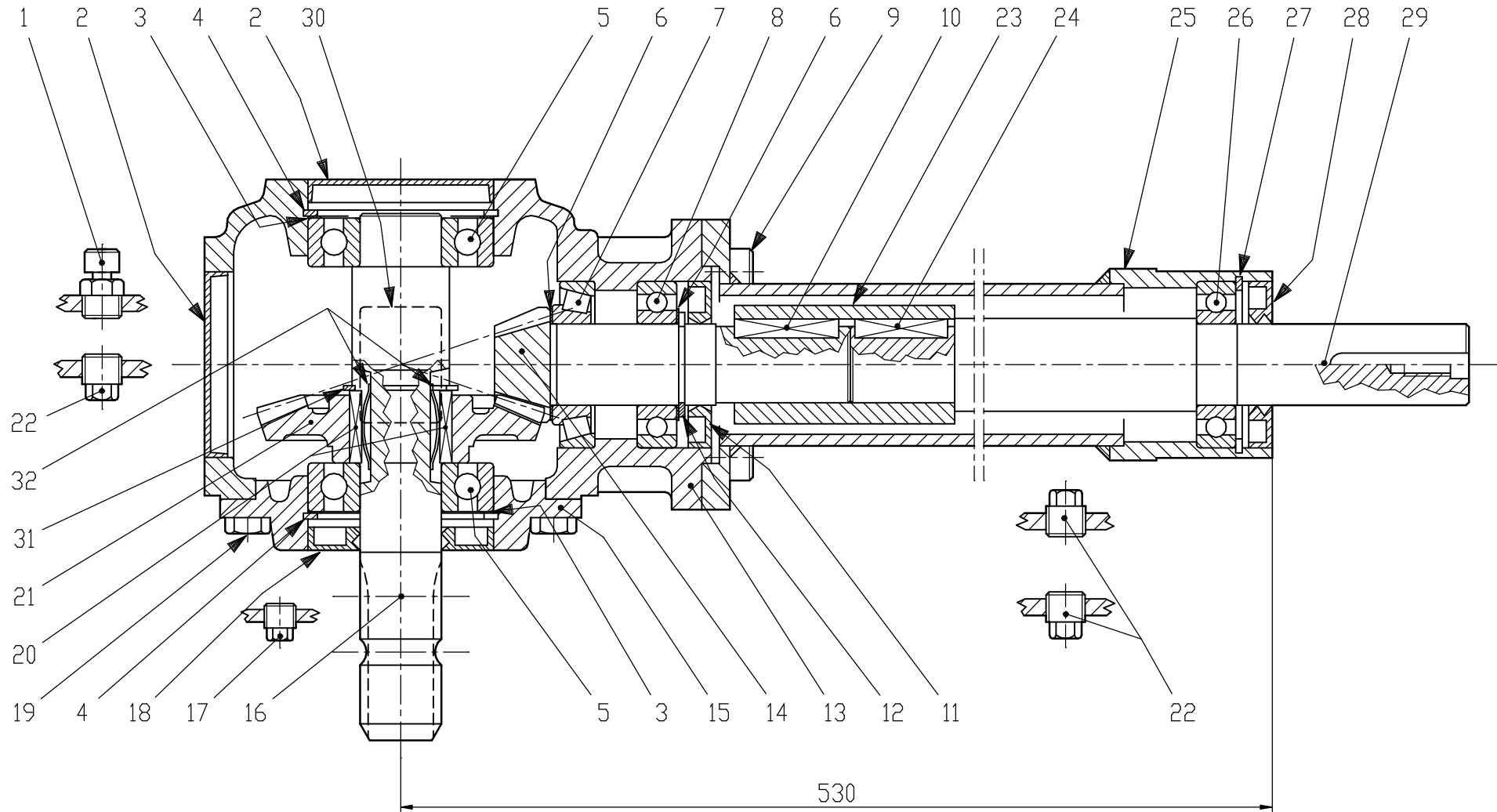




DITTA	RIF.	DENOMINAZIONE
		TL-310 D
DATA	CODICE	
22-05-2002	310.063.00	



S.d.M.
01.8029

DESIGNATION GEAR BOX TL-310D

CODE N° 9.310.063.00

POS.	DRG. N.	PIEC	DESCRIPTION
------	---------	------	-------------

1	8.6.7.00161	1	OIL FILLER PLUG 3/8"GAS
2	8.7.0.00790	2	CAP 80X10
3	0.267.7500.00	2	SHIM 79.9
4	8.5.2.00030	2	SNAP RING 80 UNI7437
5	8.0.1.00049	2	BALL BEARING 6307
6	0.259.7500.00	2	SHIM 35.3x48.0
7	8.0.9.00026	1	BEARING 30207
8	8.0.1.00870	1	BEARING 6207
9	8.1.2.00198	4	BOLT M10X25 8,8
10	8.4.1.00314	1	PARALLEL KEY A 10X8X45
11	8.7.3.00055	1	OIL SEAL 35X72X10
12	8.5.1.00583	1	SNAP RING 35 UNI7436
13	0.310.0300.00	1	CASING
14	0.310.5002.00	1	PINION SHAFT Z12 M3.45
15	0.310.1300.00	1	COVER
16	0.311.3201.00	1	SHAFT 1"3/8 Z6
17	8.6.5.00339	2	PLUG 1/4"GAS
18	8.7.1.00315	1	DOUBLE LIP SEAL 35X80 X10
19	8.1.1.00501	8	BOLT M10X22 8,8
20	0.267.7109.00	2	PARALLEL KEY
21	0.310.6010.00	1	CROWN WHEEL M3.45
22	8.6.5.00006	3	PLUG 3/8"GAS
23	0.310.7100.00	1	BUSH
24	8.4.1.00022	1	PARALLEL KEY A 10X8X40
25	2.310.1702.00	1	EXTENSION L.530
26	8.0.1.00768	1	BEARING 6207
27	8.5.2.00131	1	SNAP RING 72 UNI7437
28	8.7.1.00152	1	DOUBLE LIP SEAL 35X72 X10
29	0.310.3702.00	1	SHAFT L.530
30	0.124.7101.00	1	PLATE
31	8.5.1.00712	1	SNAP RING 42 UNI7435
32	0.267.7110.00	2	SPRING