

Singulaire
780

Parts Manual

PARTS ENQUIRIES



Stanhay Webb Ltd, BCS House,
Pinfold Road, Bourne, PE10 9HT, UK

www.stanhay.com

t: +44 (0)1778 392 303

e: info@stanhay.com

WHEN ORDERING PARTS PLEASE QUOTE THE FOLOWING INFORMATION:

1. Model: **SINGULAIRE 780**
2. Order number:
3. Part number and description:

PLEASE NOTE:

The parts listed are not necessarily supplied as unit items, they may be part of an assembly or be packed in quantities.

Some of the parts shown are optional extras and are not fitted as standard to new machines.

SINGULAIRE 780

PARTS LIST

Contents

List of Seed Discs	1
Metering Unit-Hopper Side	3-5
-Drive Side	7
-Fixed Drive	8
-Hopper Extensions	9
Coulters-Single Line	10-12
-Multi Line	13-19
Chassis - ZP+S-ZP+S	20
- ZP+S-100C	21
- ZP+S-120S	22
- ZP+S-160C	23
- ZP+S-160S	24
- ZP+S-160S	25
- 160S-160C	26
- 160S-160S	27
- 200S-200S	28
- Blank Page	29
- Sled Mounted-no wheels	30
- 120 Rear Wheel Arm-for above	31
- Depth Adjustment Bracket	32
- Parallel links	32
Row Unit Wheels	33-34
Drag Coverers	35
Clod Deflector	36
Fan-17 Rib - 8 Ports	37-38
-26 Rib -12 Ports	39
-Shaft Housings	40
-17 Rib Shaft Assemblies	41
-26 Rib Shaft Assemblies	42
Vacuum & Pressure Gauges	43
Headstock Brackets-Single Toolbar	44
-Double Toolbar	45
Cat.2 Headstock	46
Toolbars, Shafts, Etc.	47
Parking Stand	48
PTO Shaft	49
Shaft Bearing	49
Joining Member for Double Toolbars	49
Calibration Handle	49
Metering Unit Box Spanner	49
Master Landwheel/Gearbox - STD 4.00-16	50-51
- XL 6.00-16	52-53
Spring Loading Conversion	54
Hydraulic Drive for 12 Port Fan	56-57
Yoke Bars	58-59
End Tow Drawbar and Wheel Frame	60-61
Parking Stand, Pivots, Limiters, Brackets	62-63
General Warranty Policy	Inside Back Cover

Item No	Item Description
SHW6902706	SEED DISC-NO HOLES
SHW6902970	SEED DISC-0.5 X 12 GROUPS OF 3
SHW6902868	SEED DISC-0.5 X 12 GROUPS OF 2
SHW6902865	SEED DISC-0.5 X 24 GROUPS OF 2
SHW6903150	SEED DISC-0.5 X 24 GROUPS OF 2
SHW6903543	SEED DISC-0.5X12 GRPS 2 OUTER
SHW6903545	SEED DISC-0.5X12 GRPS 2 INNER
SHW6903544	SEED DISC-0.5X12 GRPS 2 MIDDLE
SHW6903674	SEED DISC-0.50 X 72 X 2LINE
SHW6903405	SEED DISC-0.50 X 72 X 1 LINE
SHW6902557	SEED DISC-0.50 X 48 X 2 LINE
SHW6902558	SEED DISC-0.50 X 96 X 2 LINE
SHW6902559	SEED DISC-0.50 X 192 X 2 LINE
SHW6904507	SEED DISC-0.50 X 96 4 LINE
SHW6902400	SEED DISC-0.50 X 48 X 3 LINE
SHW6902488	SEED DISC-0.50 X 48 X 1 LINE
SHW6902489	SEED DISC-0.50 X 24 X 1 LINE
SHW6903095	SEED DISC-0.50 X 144 X 2 LINE
SHW6903765	SEED DISC-0.50 X 0 /144/144
SHW6902568	SEED DISC-0.50 X 96/96/72 SPEC
SHW6903764	SEED DISC-0.50 X 144/ 0 /144
SHW6902532	SEED DISC-0.50 X 96 X 1 LINE
SHW6902533	SEED DISC-0.50 X 12 X 1 LINE
SHW6902702	SEED DISC-0.50 X 192 X 3 LINE
SHW6902698	SEED DISC-0.50 X 144 X 3 LINE
SHW6902690	SEED DISC-0.50 X 96 X 3 LINE
SHW6904564	SEED DISC-0.6 X 120.4 LINE
SHW6904406	SEED DISC-0.6 X 120 X 3 LINE
SHW6903792	SEED DISC-0.6 X 24 X 1-LINE
SHW6903774	SEED DISC-0.6 X 10 GROUPS OF10
SHW6904577	SEED DISC 0.6X48 2LINE
SHW6903714	SEED DISC-0.6X 9 GRPS 3 INNER
SHW6902566	SEED DISC-0.60 X 96 X 1 LINE
SHW6902645	SEED DISC-0.60 X 48 X 3 LINE
SHW6903436	SEED DISC-0.60 X 144/0/144SPEC
SHW6903435	SEED DISC-0.60 X 0/144/144SPEC
SHW6902648	SEED DISC-0.60 X 24 X 3 LINE
SHW6903406	SEED DISC-0.60 X 96 X I/S LINE
SHW6904504	SEED DISC-0.60 X 96 INNER LINE
SHW6902667	SEED DISC-0.60 X 144 X 3 LINE
SHW6902668	SEED DISC-0.60 X 144 X 2 LINE
SHW6902669	SEED DISC-0.60 X144/144/108 SP
SHW6903272	SEED DISC-0.60 X 72/72/48 SPEC
SHW6903269	SEED DISC-0.60 X 192 X 1 LINE
SHW6903247	SEED DISC-0.60 X 144 X 1 LINE
SHW6904505	SEED DISC 0.60X144X108X108X144
SHW6902691	SEED DISC-0.60 X 48 X 2 LINE
SHW6904563	SEED DISC-0.60X144X0X144X144 S
SHW6904276	SEED DISC-0.60 X 144 4 LINE
SHW6903742	SEED DISC-0.60 X 96 4 LINE
SHW6902639	SEED DISC-0.60 X 48/48/36 SPEC

Item No	Item Description
SHW6902624	SEED DISC-0.60 X 48 X 1 LINE
SHW6902637	SEED DISC-0.60 X 96 X 2 LINE
SHW6903161	SEED DISC-0.60 X 96/72/72 SPEC
SHW6903160	SEED DISC-0.60 X 72/96/72 SPEC
SHW6904562	SEED DISC-0.60X0X144X144X144 S
SHW6902776	SEED DISC-0.60 X 72 X 1 LINE
SHW6902777	SEED DISC-0.60 X 72 X 2 LINE
SHW6902778	SEED DISC-0.60 X 72 X 3 LINE
SHW6903149	SEED DISC-0.60 X 96/96/82 SPEC
SHW6903099	SEED DISC-0.60 X 192 X 3 LINE
SHW6904524	SEED DISC-0.60 X 24 X 2 LINE
SHW6903094	SEED DISC-0.60 X 96/120/0 SPEC
SHW6903093	SEED DISC-0.60 X 120/96/0 SPEC
SHW6903092	SEED DISC-0.60 X 120 X 2 LINE
SHW6903071	SEED DISC-0.60 X 144 X I/S LIN
SHW6902563	SEED DISC-0.60 X 96 X 3 LINE
SHW6902967	SEED DISC-0.60 X 60 X 1 LINE
SHW6902630	SEED DISC-0.60 X 96/96/72 SPEC
SHW6903874	SEED DISC-0.60 X 72 4 LINE
SHW6903111	SEED DISC-0.7 X 24 GROUPS OF 3
SHW6902979	SEED DISC-0.7 X 12 GROUPS OF 4
SHW6903793	SEED DISC-0.7 X 24 X 1 LINE
SHW6902531	SEED DISC-0.7 X 12 GROUPS OF 3
SHW6903788	SEED DISC-0.70 X 48 X 1 LINE
SHW6903167	SEED DISC-0.70 X 12 X 1 LINE
SHW6903147	SEED DISC-0.70 X 120 X 2 LINE
SHW6903146	SEED DISC-0.70 X 96 X 2 LINE
SHW6903122	SEED DISC-0.70 X 120 X 3 LINE
SHW6903417	SEED DISC-0.8 X12GRPS OF 2-ISL
SHW6903794	SEED DISC-0.8 X 20 X 1 LINE
SHW6903899	SEED DISC-0.8 X 192 X 2 LINE
SHW6904034	SEED DISC-0.8 X12GRPS OF 2 (T1)
SHW6903359	SEED DISC-0.8 X12GRPS OF 2 (T2)
SHW6902966	SEED DISC-0.8 X 12 GROUPS OF 3
SHW6904578	SEED DISC 0.8X72 1 LINE- INNER
SHW6902567	SEED DISC-0.80 X 96 X 1 LINE
SHW6903755	SEED DISC-0.80 X 120 X 3 LINE
SHW6904566	SEED DISC-0.80 X 130/130/117SP
SHW6903753	SEED DISC-0.80 X 12 X I/S LINE
SHW6902647	SEED DISC-0.80 X 96 X 3 LINE
SHW6903724	SEED DISC-0.80 X 96 X 2L-STAG
SHW6904568	SEED DISC-0.80 X 130/143/117SP
SHW6903007	SEED DISC-0.80 X 144 X 2 LINE
SHW6904503	SEED DISC-0.80 X 192 X 3 LINE
SHW6903070	SEED DISC-0.80 X 48 X I/S LIN
SHW6903766	SEED DISC-0.80 X 144/ 0 /144
SHW6903975	SEED DISC-0.80 X108/108/96 SP
SHW6902958	SEED DISC-0.80 X 144 X 1 LINE
SHW6903767	SEED DISC-0.80 X 0 /144/144
SHW6902646	SEED DISC-0.80 X 48 X 2 LINE
SHW6903779	SEED DISC-0.80 X 0 /24 /0

Item No	Item Description
SHW6903986	SEED DISC-0.80 X 96/72/0 SPEC
SHW6904492	SEED DISC-0.80 X 144 MID LINE
SHW6904487	SEED DISC-0.80 X 96 4 LINE
SHW6902953	SEED DISC-0.80 X12GROUPS 4X 2L
SHW6904421	SEED DISC-0.80 X 72 X 2 LINE
SHW6903987	SEED DISC-0.80 X 72/96/0 SPEC
SHW6904411	SEED DISC-0.80 X 108 X 2 LINE
SHW6902562	SEED DISC-0.80 X 48 X 3 LINE
SHW6903362	SEED DISC-0.80 X 108 X 1 LINE
SHW6903361	SEED DISC-0.80 X 104 X 1 LINE
SHW6903360	SEED DISC-0.80 X 88 X 1 LINE
SHW6902643	SEED DISC-0.80 X 24 X 1 LINE
SHW6902930	SEED DISC-0.80 X 72 X 2 LINE
SHW6902750	SEED DISC-0.80 X 12 X 1 LINE
SHW6904511	SEED DISC-0.80 X 96 I/S LINE
SHW6902565	SEED DISC-0.80 X 48 X 1 LINE
SHW6903358	SEED DISC-0.80 X 24 X I/S LINE
SHW6904288	SEED DISC-0.80 X 120 X 1 LINE
SHW6903156	SEED DISC-0.80 X 120 X 2 LINE
SHW6904567	SEED DISC-0.80 X 143/130/117SP
SHW6902632	SEED DISC-0.80 X 96/96/72 SPEC
SHW6903868	SEED DISC-0.80 X 72 X 3 LINE
SHW6903164	SEED DISC-0.80 X 144 X 3 LINE
SHW6902828	SEED DISC-0.80 X 72 X 1 LINE
SHW6904275	SEED DISC-0.80 X 19 X 1 LINE
SHW6902629	SEED DISC-0.80 X 96 X 2 LINE
SHW6903206	SEED DISC-0.80 X 72/72/54 SPEC
SHW6903243	SEED DISC-0.80 X144/144/108 SP
SHW6902826	SEED DISC-0.80 X 24 X 2 LASTAG
SHW6903897	SEED DISC-0.80 X 32 X 1 LINE
SHW6902812	SEED DISC-0.80 X 24 X 2 LINE
SHW6903875	SEED DISC-0.80 X 72 4 LINE
SHW6902705	SEED DISC-1.0 X12GRPS OF 2 (T1)
SHW6903976	SEED DISC-1.00 X144/144/108 SP
SHW6903771	SEED DISC-1.00 X 48 X I/S LINE
SHW6902957	SEED DISC-1.00 X 24 X 1 LINE
SHW6902829	SEED DISC-1.00 X 72 X 1 LINE
SHW6904414	SEED DISC-1.00 X 24 X I/S LINE
SHW6904593	SEED DISC-1.00 X 144 X 3 LINE
SHW6902670	SEED DISC-1.00 X 96 X 1 LINE
SHW6903822	SEED DISC-1.00 X 96/96/60 SPEC
SHW6902977	SEED DISC-1.00 X 96/96/72 SPEC
SHW6902944	SEED DISC-1.00 X 96 X 3 LINE
SHW6902625	SEED DISC-1.00 X 48 X 1 LINE
SHW6902623	SEED DISC-1.00 X 96 X 2 LINE
SHW6902490	SEED DISC-1.00 X 8 X 1 LINE
SHW6904559	SEED DISC-1.00 X 72 X 2 LINE
SHW6903876	SEED DISC-1.00 X 72 4 LINE
SHW6903313	SEED DISC-1.00 X 96/96/48 SPEC
SHW6902914	SEED DISC-1.2 X 12 GROUPS OF 3
SHW6902960	SEED DISC-1.20 X 48 X 2 LINE

Item No	Item Description
SHW6904069	SEED DISC-1.20 X 144 X 2 LINE
SHW6903252	SEED DISC-1.20 X 96 X I/S LINE
SHW6904070	SEED DISC-1.20 X 72 X 2 LINE
SHW6902692	SEED DISC-1.20 X 24 X 1 LINE
SHW6902640	SEED DISC-1.20 X 96 X 2 LINE
SHW6902961	SEED DISC-1.20 X 24 X I/S LINE
SHW6904284	SEED DISC-1.20 X 24 X 2 LINE
SHW6902626	SEED DISC-1.20 X 48 X 1 LINE
SHW6903241	SEED DISC-1.20 X 72 X 1 LINE
SHW6902642	SEED DISC-1.20 X 96/96/72 SPEC
SHW6903790	SEED DISC-1.20 X 120 X 3 LINE
SHW6902863	SEED DISC-1.20 X 12 X 1 LINE
SHW6903148	SEED DISC-1.20 X 48 X I/S LINE
SHW6903151	SEED DISC-1.20 X 72/96/72 SPEC
SHW6902534	SEED DISC-1.20 X 96 X 1 LINE
SHW6903152	SEED DISC-1.20 X 96/72/72 SPEC
SHW6902564	SEED DISC-1.20 X 96 X 3 LINE
SHW6902976	SEED DISC-1.20 X 144 X 1 LINE
SHW6903623	SEED DISC-1.4 X 24 GROUPS OF 2
SHW6904071	SEED DISC-1.4 X 120 X 2 LINE
SHW6904579	SEED DISC 1.4X72 1 LINE- INNER
SHW6903748	SEED DISC-1.40 X 0/48/0 SPEC
SHW6903747	SEED DISC-1.40 X 0/ 0/48 SPEC
SHW6902980	SEED DISC-1.40 X 24 X 1 LINE
SHW6902975	SEED DISC-1.40 X 96 X 1 LINE
SHW6903991	SEED DISC-1.40 X 24 X 2L-STAG
SHW6903481	SEED DISC-1.40 X 144 X 1 LINE
SHW6903768	SEED DISC-1.40 X 96/ 0 /96
SHW6903769	SEED DISC-1.40 X 0/ 96/96
SHW6904445	SEED DISC-1.40 X 24 X 1 LINE
SHW6903140	SEED DISC-1.40 X 96/96/72 SPEC
SHW6903139	SEED DISC-1.40 X 96 X 2 LINE
SHW6903125	SEED DISC-1.40 X 96 X 3 LINE
SHW6904178	SEED DISC-1.40 X 24 X 3 LINE
SHW6902963	SEED DISC-1.40 X 48 X 1 LINE
SHW6903110	SEED DISC-1.40 X 72 X 1 LINE
SHW6903109	SEED DISC-1.40 X 72 X 3 LINE
SHW6902952	SEED DISC-1.40 X 72 X 2 LINE
SHW6904292	SEED DISC-1.40 X 48/48/36 SPEC
SHW6902809	SEED DISC-1.40 X 48 X 2 LINE
SHW6902649	SEED DISC-1.40 X 48 X 3 LINE
SHW6904525	SEED DISC-1.50 96/96/72 SPEC
SHW6904522	SEED DISC-1.50 X 96/72/96 SPEC
SHW6902981	SEED DISC-1.6 X 12 GROUPS OF 2
SHW6903901	SEED DISC-1.6 X 120 X 2 LINE
SHW6904405	SEED DISC-1.6 X 108 X 3 LINE
SHW6904404	SEED DISC-1.6 X 120 X 3 LINE
SHW6903209	SEED DISC-1.60 X 72 X 1 LINE
SHW6903993	SEED DISC-1.60 X 90/72/72SPEC
SHW6903994	SEED DISC-1.60 X 72/90/72SPEC
SHW6903995	SEED DISC-1.60 X 0/72/90SPEC

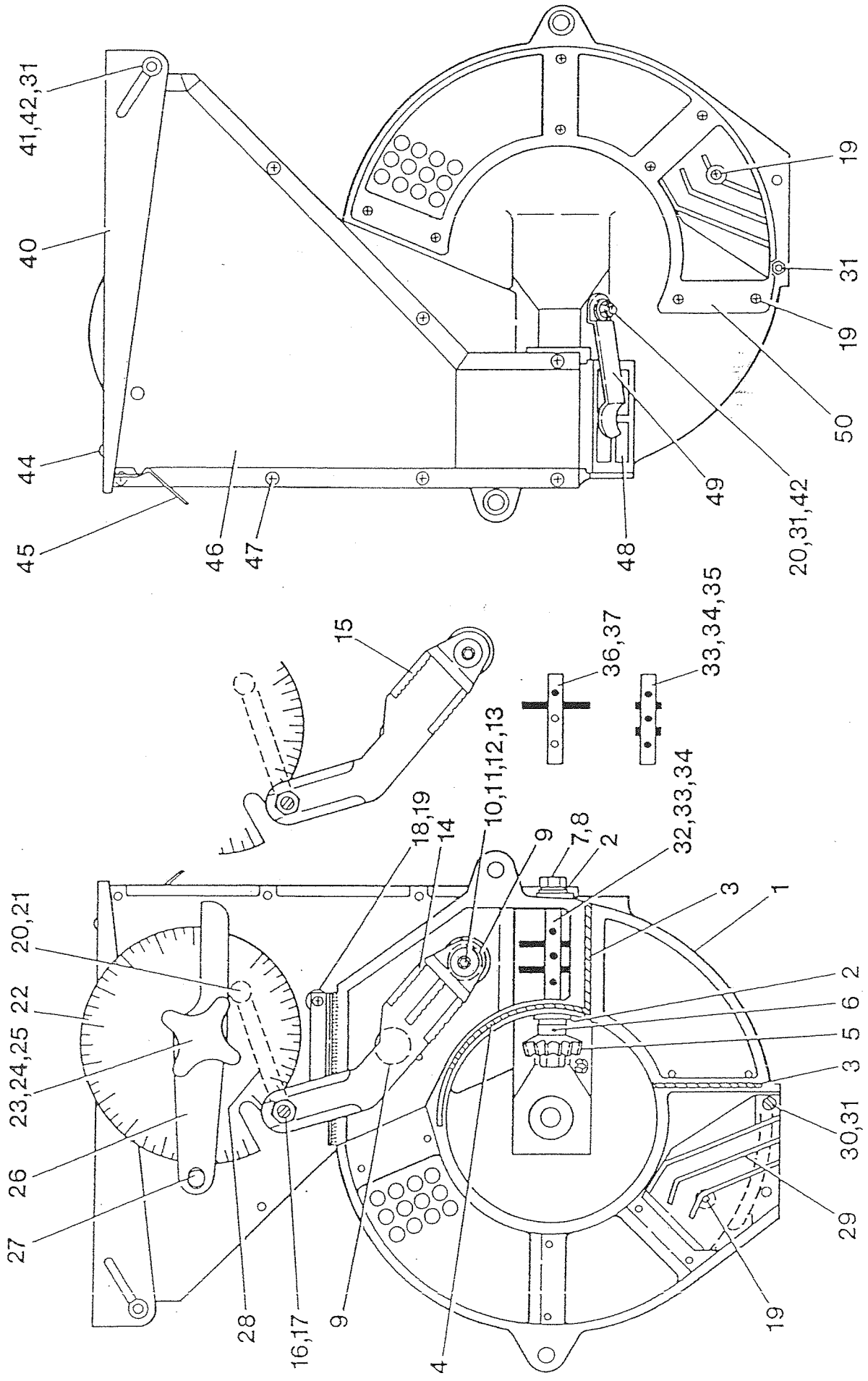
Item No	Item Description
SHW6903996	SEED DISC-1.60 X 90/ 0/72SPEC
SHW6903210	SEED DISC-1.60 X 48 X 1 LINE
SHW6902712	SEED DISC-1.60 X 24 X 1 LINE
SHW6903211	SEED DISC-1.60 X 96 X 2 LINE
SHW6904510	SEED DISC-1.60 X 48 X I/S LINE
SHW6903821	SEED DISC-1.60 X 96/96/72 SPEC
SHW6903820	SEED DISC-1.60 X 96 X 3 LINE
SHW6904304	SEED DISC-1.60 X 72/80/0
SHW6903157	SEED DISC-1.60 X 72 X 2 LINE
SHW6904201	SEED DISC-1.60 X 56/48/48 SPEC
SHW6904202	SEED DISC-1.60 X 48/56/48 SPEC
SHW6903145	SEED DISC-1.60 X 72 X 3 LINE
SHW6903144	SEED DISC-1.60 X 96 X 1 LINE
SHW6903273	SEED DISC-1.60 X 48 X 3 LINE
SHW6902864	SEED DISC-1.60 X 12 X 1 LINE
SHW6904289	SEED DISC-1.60 X 96 X I/S LIN
SHW6902821	SEED DISC-1.60 X 48 X 2 LINE
SHW6904303	SEED DISC-1.60 X 80/72/0
SHW6903690	SEED DISC-1.80 X 72 X 1 LINE
SHW6904394	SEED DISC-1.80 X 60 2 LINE
SHW6904096	SEED DISC-2.0 X 12 GROUPS OF 2
SHW6903414	SEED DISC-2.0 X 12 GROUPS OF 3
SHW6903255	SEED DISC-2.0 X 12 GROUPS OF 3
SHW6903057	SEED DISC-2.0 X 12 GROUPS OF 2
SHW6903438	SEED DISC-2.0 X 12 GROUPS OF 3
SHW6902810	SEED DISC-2.0X48 INNER&MIDDLE
SHW6902811	SEED DISC-2.0X48 INNER&OUTER
SHW6903091	SEED DISC-2.00 X 12 X 1 LINE
SHW6904025	SEED DISC-2.00 X 72 X 3 LINE
SHW6904560	SEED DISC-2.00 X 60 X 2 LINE
SHW6902535	SEED DISC-2.00 X 48 X 2 LINE
SHW6902671	SEED DISC-2.00 X 48 X 1 LINE
SHW6903726	SEED DISC-2.00 X 72 X 2 LINE
SHW6902651	SEED DISC-2.00 X 8 X 1 LINE
SHW6903212	SEED DISC-2.00 X 24 X 1 LINE
SHW6902775	SEED DISC-2.00 X 72 X 1 LINE
SHW6902582	SEED DISC-2.00 X 12 X I/S LINE
SHW6903112	SEED DISC-2.00 X 24 X 2 LINE
SHW6903332	SEED DISC-2.20 X 39 X 2L STG
SHW6903572	SEED DISC-2.20 X 72 X 2 LINE
SHW6902956	SEED DISC-2.20 X 48 X 1 LINE
SHW6902693	SEED DISC-2.20 X 48 X 2 LINE
SHW6903615	SEED DISC-2.20 X 72 X 1 LINE
SHW6904058	SEED DISC-2.5 X 12 GROUPS OF 2
SHW6903863	SEED DISC-2.5 X 12 GROUPS OF 3
SHW6902684	SEED DISC-2.50 X 24 X 1 LINE
SHW6903825	SEED DISC-2.50 X 72 X 1 LINE
SHW6902955	SEED DISC-2.50 X 28/48/20 SPEC
SHW6902954	SEED DISC-2.50 X 48/28/20 SPEC
SHW6903938	SEED DISC-48 HOLE CLUSTER SPIN

SINGULAIRE 780

METERING UNIT - HOPPER SIDE

Item No:	Part No:	Description:
1	7702828	Body - Hopper Side c/w items 2,23,27
2	2002012	Oilite Bearing
3	6902687	Felt Seal
4	6902687	Felt Seal - Inner Ring
5	7702880	15T Pinion/Spindle c/w item 6
6	2214280	Tension Pin
7	2311089	Flat Washer - Form A
8	6902665	Agitator Bolt - Short (L/H thread)
9	2701060	Singulator Spring
10	6902822	Singulator Spindle (spherical ball type)
11	6902823	Singulator Spindle End Cap
12	2375009	Socket Head Cap Screw
13	2303008	Hexagon Nut
14	7703032	Singulator - multi-line (c/w items 16,17)
15	7703033	Singulator - single line (c/w items 16,17)
16	6902711	Eccentric Singulator Pin
17	2303007	Hexagon Nut
18	7702899	Singulator Brush - Hopper Side
19	2357002	Taptite Pozidriv Pan Head Screw
20	2332105	Slotted Cheese Head Screw
21	2303005	Hexagon Nut
22	2810204	Singulator Cam
23	6902496	Cam Stud
24	2311090	Flat Washer - Form A (between Cam and Body)
25	6404015	Handwheel
26	6902498	Singulator Setting Arm
27	6409340	Dowel
28	2702040	Singulator Arm Spring
29	2810215	Seed Splitter
	6903213	Red Beet Seed Splitter
	6903250	Lettuce Seed Splitter
30	2332106	Slotted Cheese Head Screw
31	2303090	Nyloc Hexagon Nut
32	7702830	Agitator - Standard
33	6902664	Agitator Spindle (White - L/H thread both ends)
34	2830040	Agitator Finger (snap-in)
* 35	7702861	Agitator - Large Pellet
36	7702860	Agitator - Raw Parsnip
37	2215260	Tension Pin (finger for raw parsnip)

* For Agitator Finger use item 34 and cut to length after fitting.



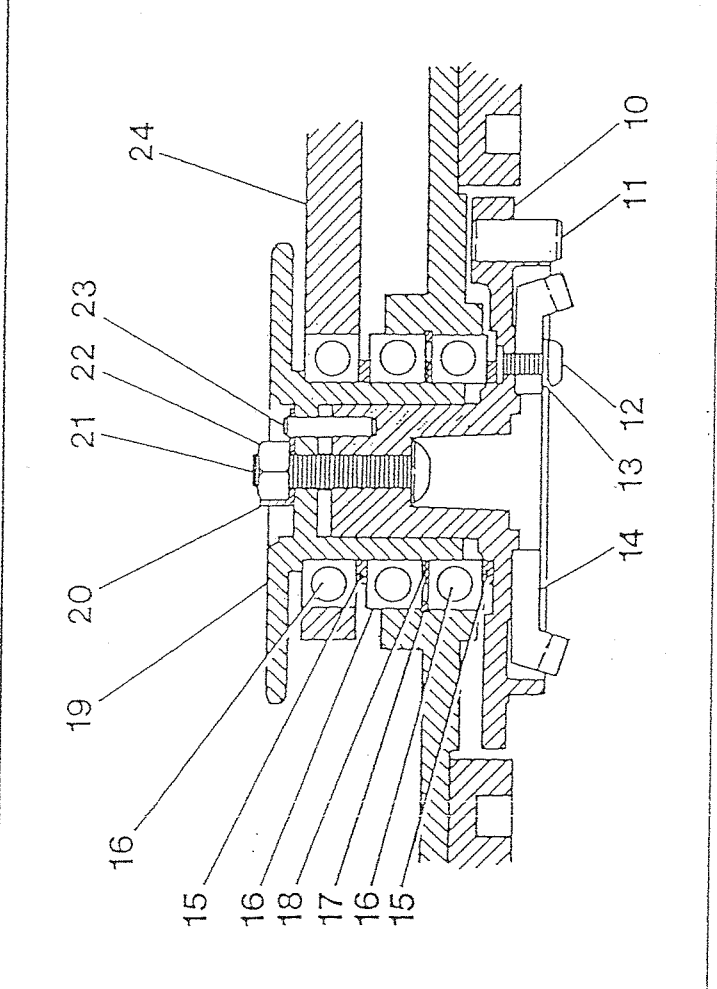
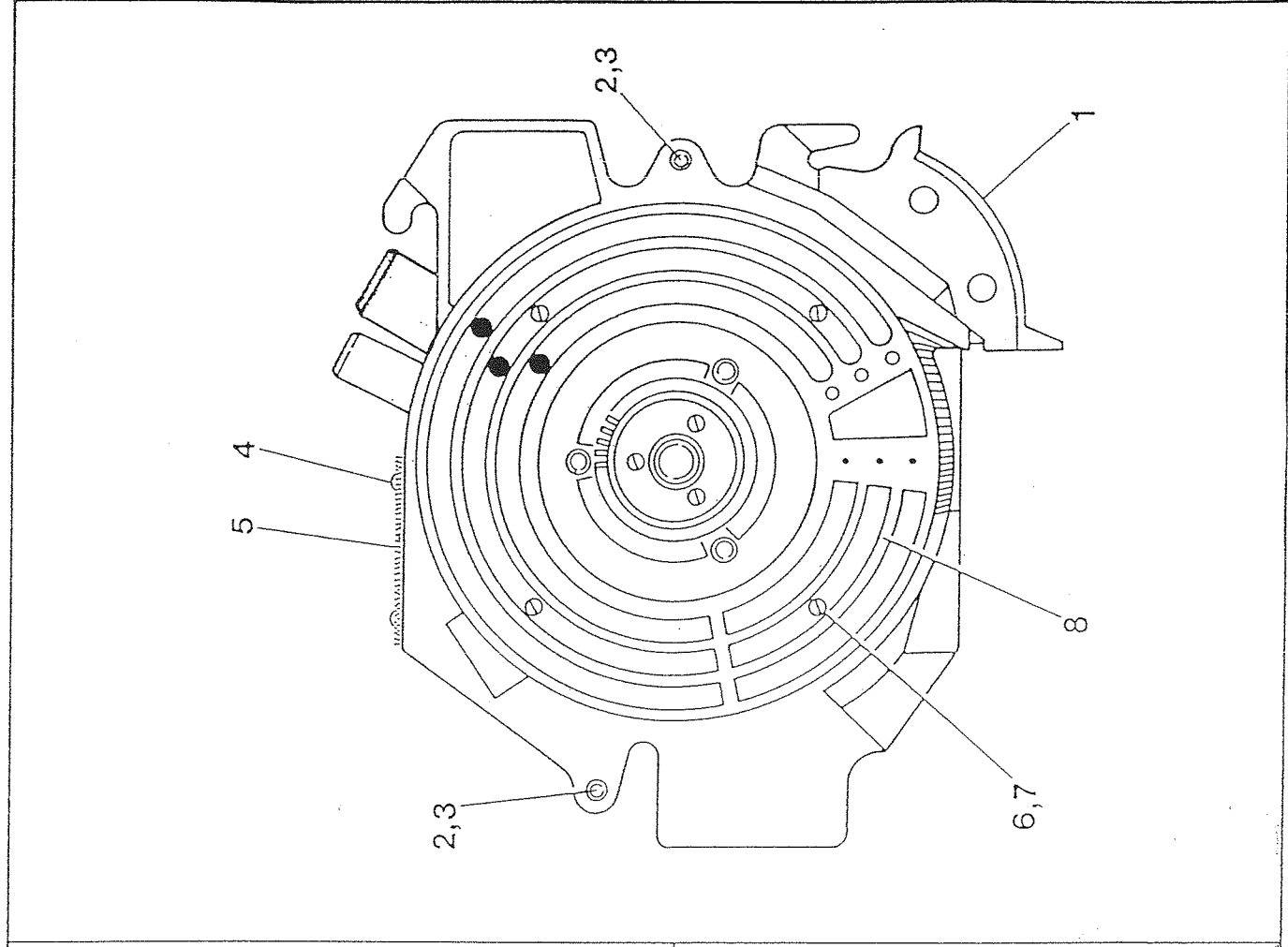
SINGULAIRE 780

METERING UNIT - HOPPER SIDE

Item No:	Part No.	Description
40	8002647	2 litre Hopper Lid Kit (c/w items 41-45)
	8002648	1 litre Hopper Lid Kit (c/w items 41-45)
41	6903011	2 litre Hopper Hinge Pin
	2306009	Hexagon Bolt
42	2311132	Flat Washer - Form C
43	2211366	Nyloc Hexagon Nut
44	2212562	POP Rivet
45	2705009	Hopper Lid Clip
46	7402812	2 litre Hopper
	7402811	1 litre Hopper
	7403975	2 litre High Density Hopper (use 1 litre hopper lid)
47	2357022	Taptite Pozidriv Pan Head Screw
48	2810206	Unit Plug
49	2705008	Plug Clip
50	6902586	Cover Plate

KITS

8010047	Seed Splitter Kit (items 19,29,30,31)
8002508	Hopper Kit - 2 litre
8002507	Hopper Kit - 1 litre



SINGULAIRE 780
METERING UNIT - DRIVE SIDE

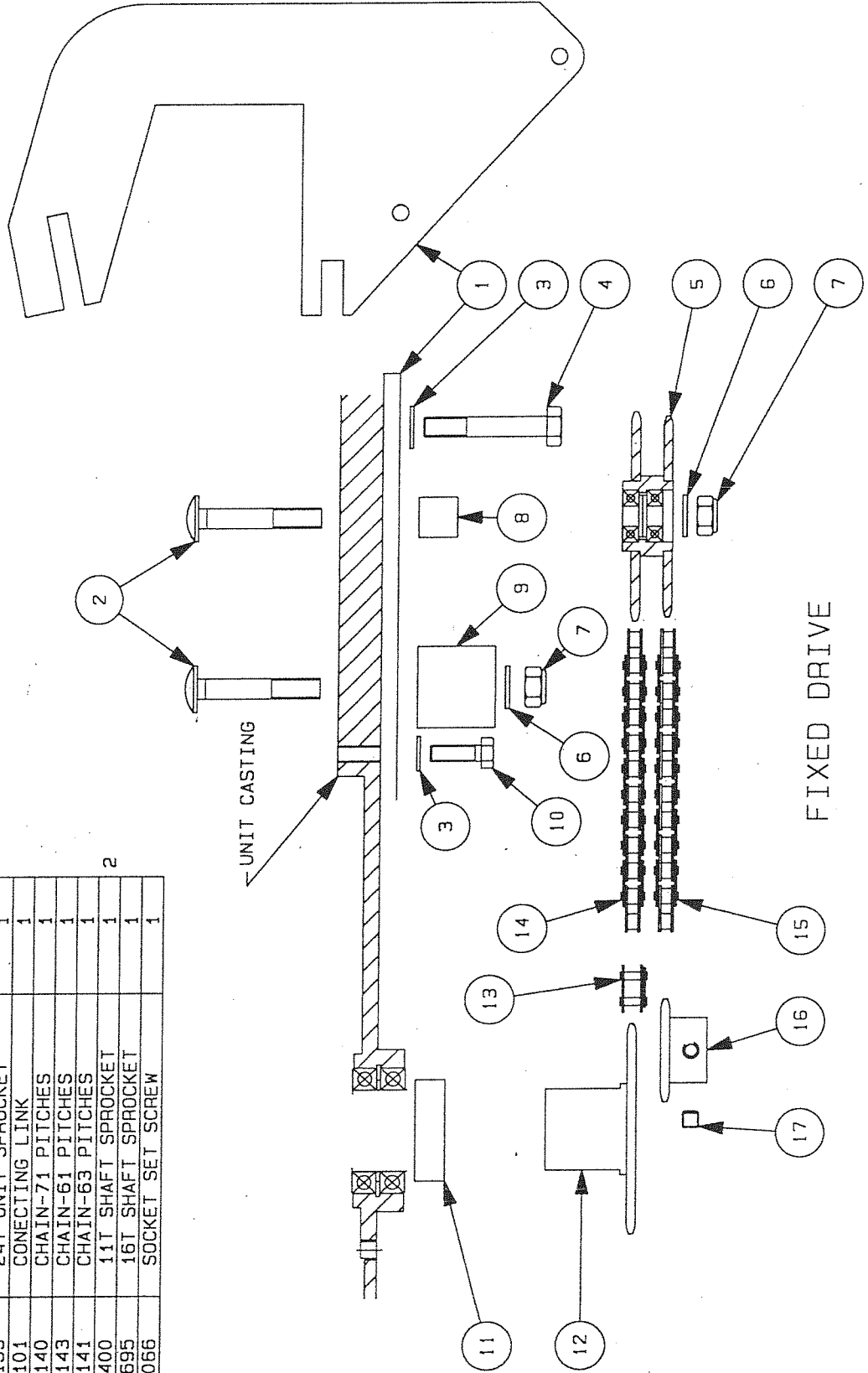
Item No:	Part No:	Description:
1	7703248	Body - Drive Side
2	2309053	Hexagon Screw
3	6902514	Unit Conical Nut
4	2357002	Taptite Pozidriv Pan Head Screw
5	7702898	Singulator Brush - Drive Side
6	2332105	Slotted Cheese Head Screw
7	2309090	Nyloc Hexagon Nut
8	2810205	Air Gallery Block - Grey
9	2810224	Air Gallery Block - Red

BODY/TURNTABLE/KNEE JOINT ASSEMBLY

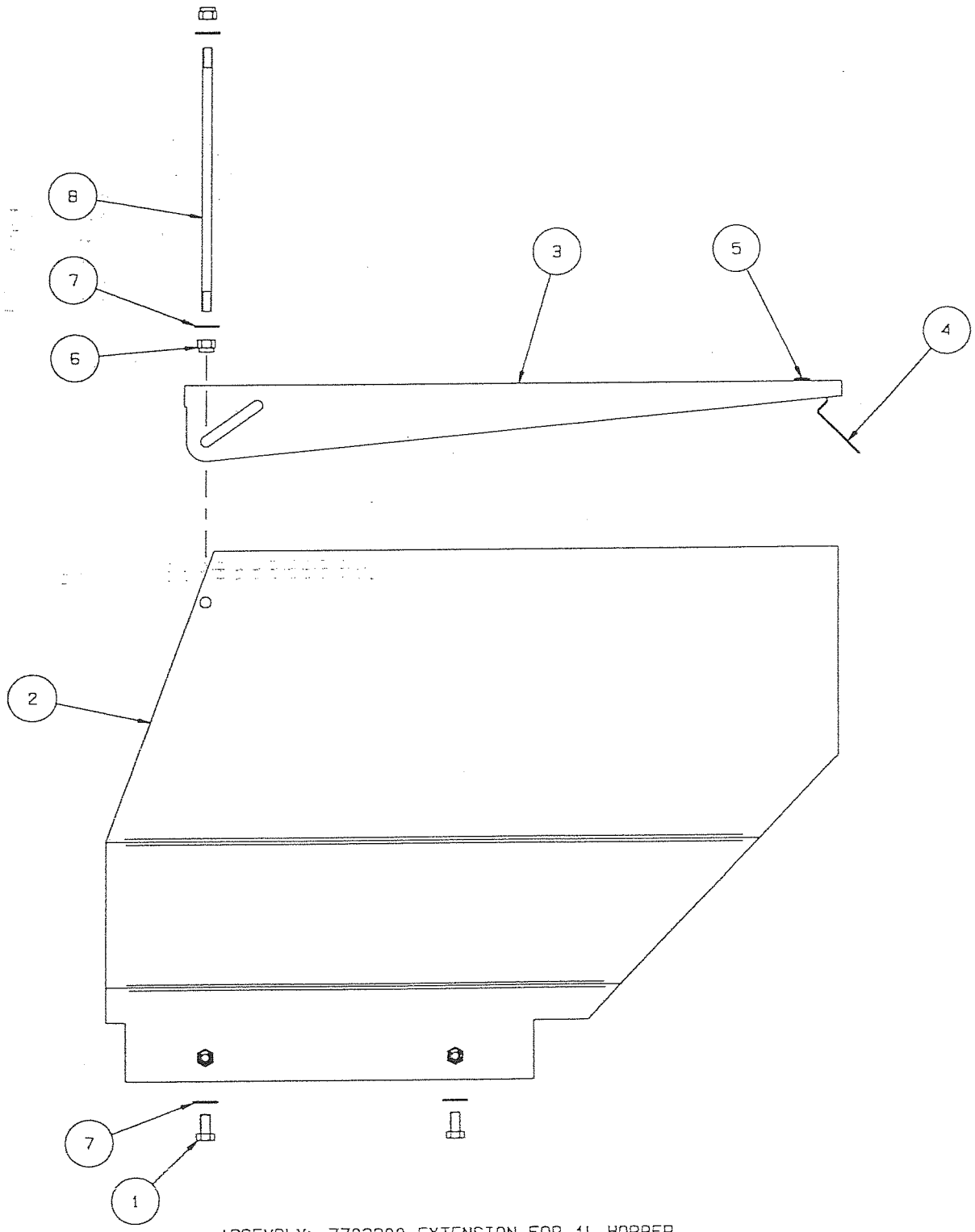
10	7702829	Turntable c/w items 11, 23
11	6409339	Dowel
12	2357022	Taptite Pozidriv Pan Head Screw
13	2311132	Flat Washer - Form C
14	1502001	45T Crownwheel
15	6409402	Support Washer
16	1909029	Ball Bearing
17	2217215	Circlip
18	6409401	Support Shim (2 per unit)
19	7403153	24T Unit Sprocket
20	6902757	Unit Tab Washer
21	2377084	Socket Button Head Screw
22	2303007	Hexagon Nut
23	2215253	Tension Pin
24	6902858	Knee Joint Arm

1	6903871	UNIT DRIVE PALTE	1
2	2306493	M10 X 60 COACH BOLT	2
3	2311089	M8 PLN F/W	2
4	2309055	M8 X 60 SET SCREW	1
5	7703991	K. JOINT SPRKT. ASSY	1
6	2311090	M10 PLN F/W	2
7	2303109	M10 NYLOC THIN	2
8	6903873	DOUBLE SPRKT SPGR	1
9	6903872	JOCKEY	1
10	2309048	M8 X 25 SET SCREW	1
11	6903054	UNIT SPROCKET SPACER	1
12	7403153	24T UNIT SPROCKET	1
13	1807101	CONNECTING LINK	1
14	1807140	CHAIN-71 PITCHES	1
15	1807143	CHAIN-61 PITCHES	1
16	1807141	CHAIN-63 PITCHES	1
17	7700400	11T SHAFT SPROCKET	1
	7702695	16T SHAFT SPROCKET	1
	2374066	SOCKET SET SCREW	1

- 1: - INCLUDES- 2 X 2311090 (M10 F' WASHER)
 2 X 1901045 (6000-2RS BEARING)
 1 X 7404249 (KJ HUB (BB) -W/A)
- 2: - INCLUDES- ITEM 17 (2374066 SOCKET SET SCREW)
- KIT FOR 11/16T SPROCKET + 61/63P CHAIN - 8003673



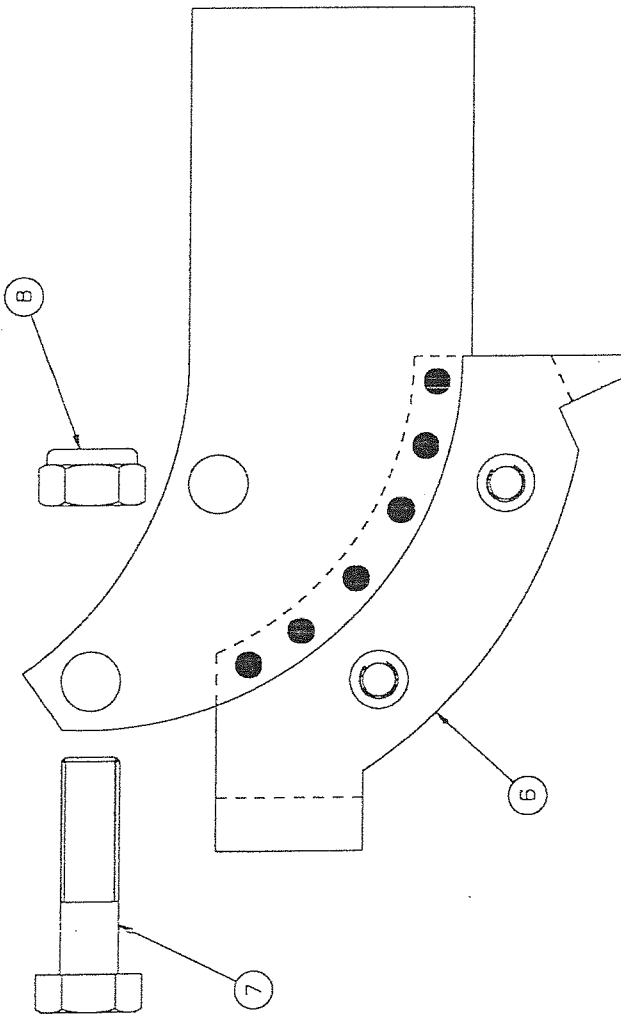
1	2309021	HEXAGON SCREW	4
2	7402995	EXTENSION FOR 1L HOPP.	1
	7402996	EXTENSION FOR 2L HOPP.	1
3	7702519	LID C/W ITEMS 4, 5	1
4	2705003	LID CLIP	1
5	2212562	POP RIVET	2
6	2303090	NYLOC NUT-FULL	2
7	2311132	FLAT WASHER-FORM C	6
8	6903012	HINGE PIN	1



ASSEMBLY: -7702900 EXTENSION FOR 1L HOPPER
7702901 EXTENSION FOR 2L HOPPER

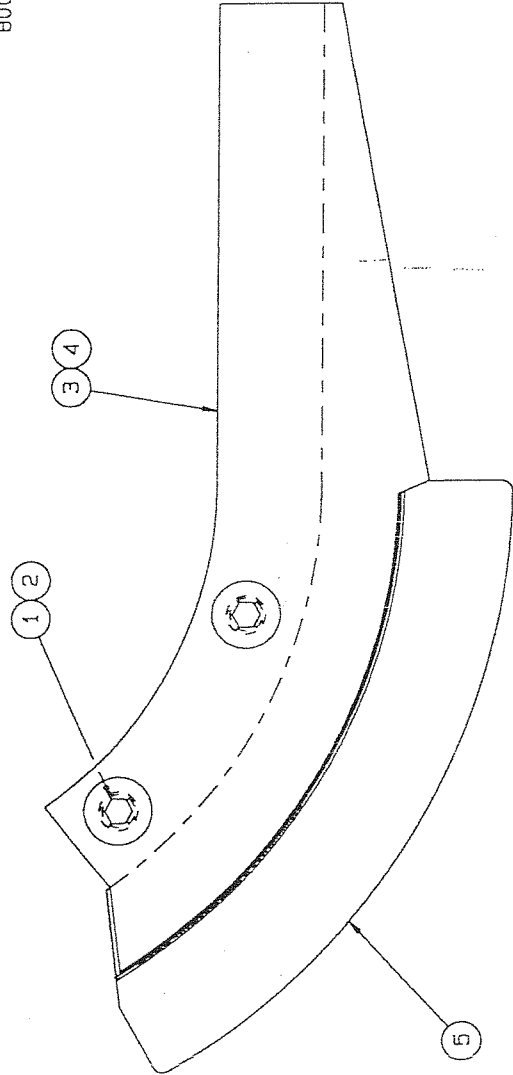
HOPPER EXTENSIONS

1	2377079	SOCKET BUTTON SCREW	2
2	6902351	COULTER SCREW BOSS	2
3	3210176	COULTER SIDE RH	1
4	3210177	COULTER SIDE LH	1
5	3000495	COULT. INSERT-CAST IRON	1
	8010030	COULT. INSERT-CERAMIC	1
	8010079	COULT. INSERT-TEK TIP	1
6	7404003	SINGLE LINE ADAPTOR	1
7	2306097	HEXAGON BOLT	2
8	2303110	NYLOC NUT-THIN	2



KITS: -

- 8002617 COULTER KIT-CAST IRON (ITEMS 1-5)
- 8002550 COULTER KIT-CERAMIC (ITEMS 1-5)
- 8003407 COULTER KIT-TEK TIP (ITEMS 1-5)
- 8003510 HYLINE SINGLE LINE ADAPTOR (ITEMS 6-8)



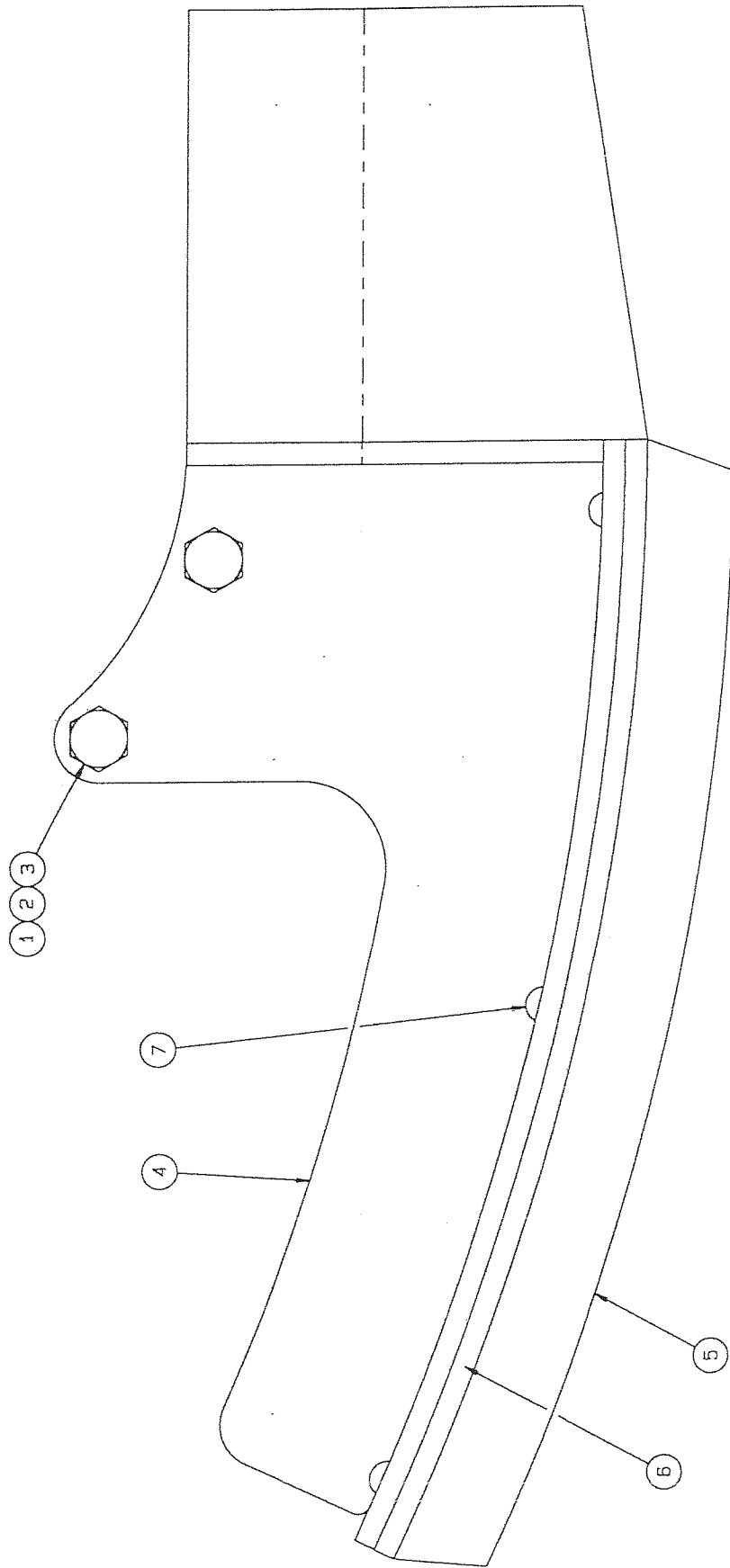
SINGLE LINE COULTER

1	230603B	HEXAGON BOLT	2
2	2303007	HEXAGON NUT	2
3	6902652	COULTER SCREW SPACER	2
4	7403663	SL NS COULTER BODY	1
5	8010075	NS SHOE RIB-PLASTIC	1
6	6903186	SL NS SHOE BASE	1
7	228600B	SLOTTED HEAD SCREW	3

*: -COMPLETE WITH ITEM 7

ASSEMBLY: --

7703504 NON-STICK COULTER ASSEMBLY-PLASTIC (ITEMS 1-7)



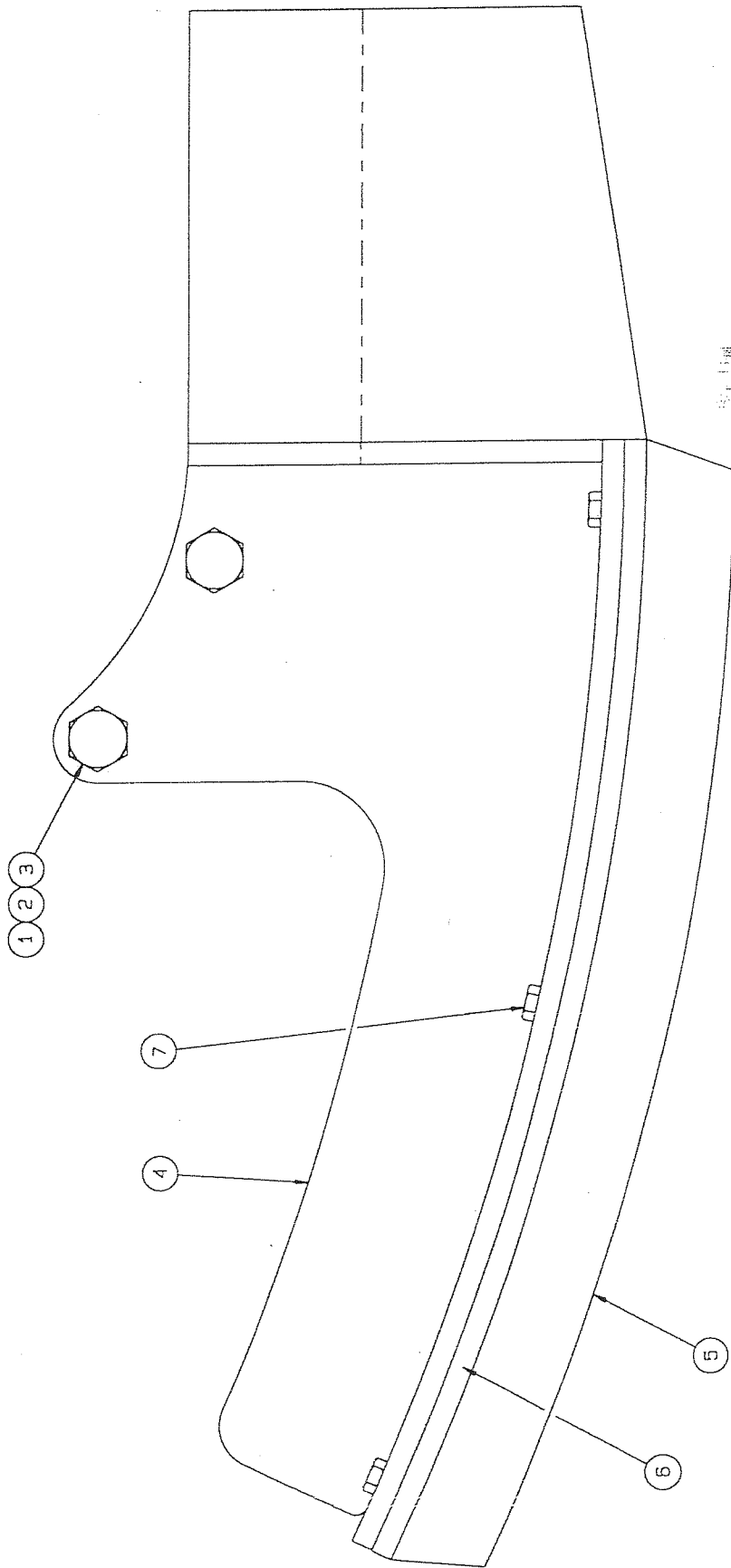
SINGLE LINE HYALINE NON-STICK COULTER-PLASTIC

ASSEMBLY: --

7703505 NON-STICK COULTER ASSEMBLY-CAST IRON (ITEMS 1-7)

1	2306038	HEXAGON BOLT	2
2	2303007	HEXAGON NUT	2
3	6902652	COULTER SCREW SPADER	2
4	7403663	SL NS COULTER BODY	1
5	8010076	NS SHOE RIB-CAST IRON	1
6	6903186	SL NS SHOE BASE	1
7	2309015	HEXAGON SCREW	3

*: -COMPLETE WITH ITEM 7



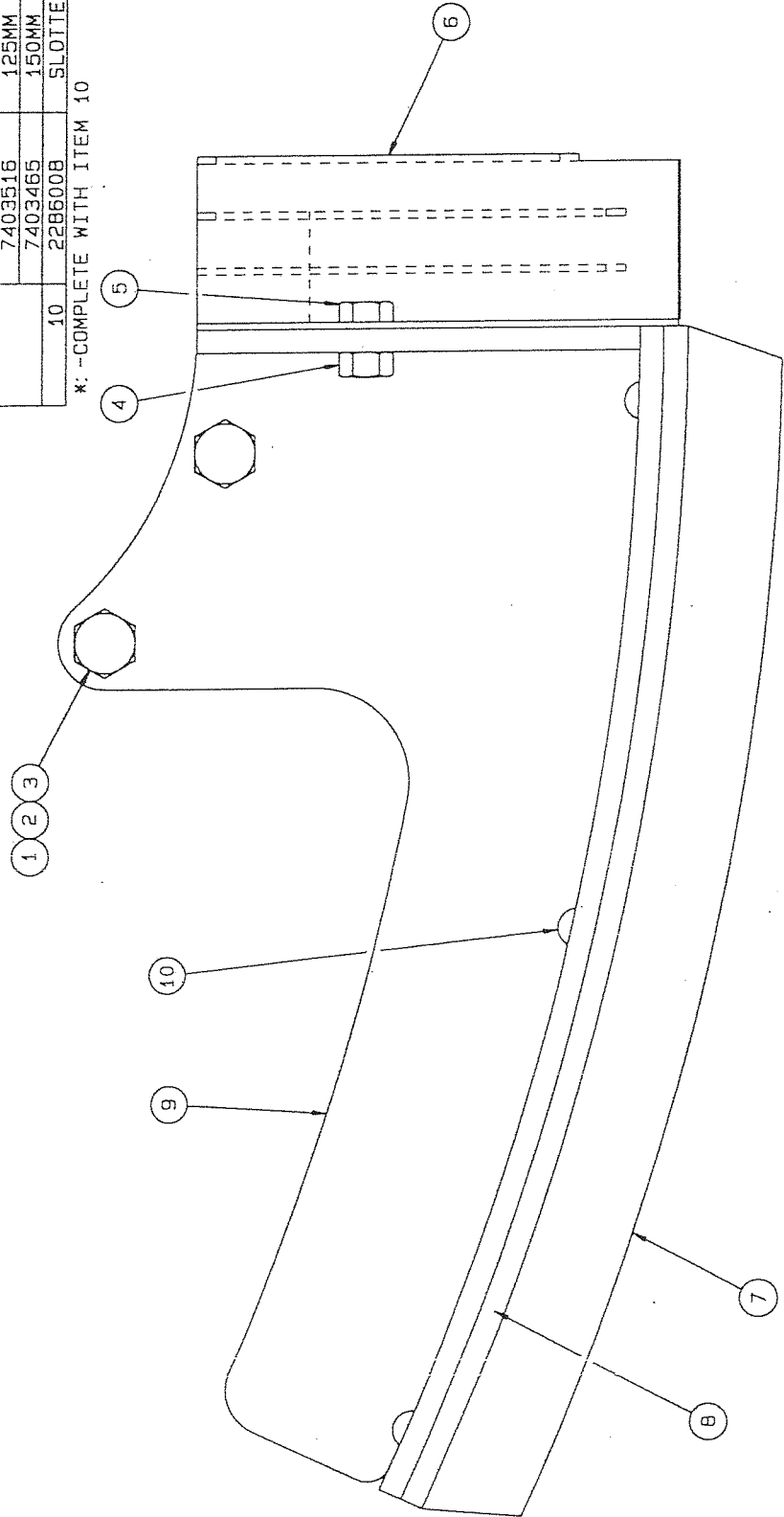
SINGLE LINE HYLINE NON-STICK COULTER-CAST IRON

ASSEMBLIES: -

- 7703308 65MM X 2 LINE NON STICK COULTER ASSEMBLY (ITEMS 1-10)
- 7703310 75MM X 2 LINE NON STICK COULTER ASSEMBLY (ITEMS 1-10)
- 7703312 100MM X 2 LINE NON STICK COULTER ASSEMBLY (ITEMS 1-10)
- 7703377 125MM X 2 LINE NON STICK COULTER ASSEMBLY (ITEMS 1-10)
- 7703314 150MM X 2 LINE NON STICK COULTER ASSEMBLY (ITEMS 1-10)

1	2305038	HEXAGON BOLT	2
2	2303007	HEXAGON NUT	2
3	6902652	COULTER SCREW SPACER	2
4	2303006	HEXAGON NUT	2
5	2309032	HEXAGON SCREW	2
6	7403420	65MM X 2 LINE CHUTE	1
	7403418	75MM X 2 LINE CHUTE	1
	7403414	100MM X 2 LINE CHUTE	1
	7403513	125MM X 2 LINE CHUTE	1
	7403469	150MM X 2 LINE CHUTE	1
7	8010075	NS SHOE RIB-PLASTIC	2
8	6903187	65MM X 2 LINE NS BASE	1
	6903189	75MM X 2 LINE NS BASE	1
	6903191	100MM X 2 LINE NS BASE	1
	6903192	125MM X 2 LINE NS BASE	1
	6903194	150MM X 2 LINE NS BASE	1
9	7403462	65MM NS COULTER BODY	1
	7403463	75MM NS COULTER BODY	1
	7403464	100MM NS COULTER BODY	1
	7403516	125MM NS COULTER BODY	1
	7403465	150MM NS COULTER BODY	1
10	2286008	SLOTTED HEAD SCREW	6

*: -COMPLETE WITH ITEM 10



TWO LINE HYALINE NON-STICK COULTER-PLASTIC

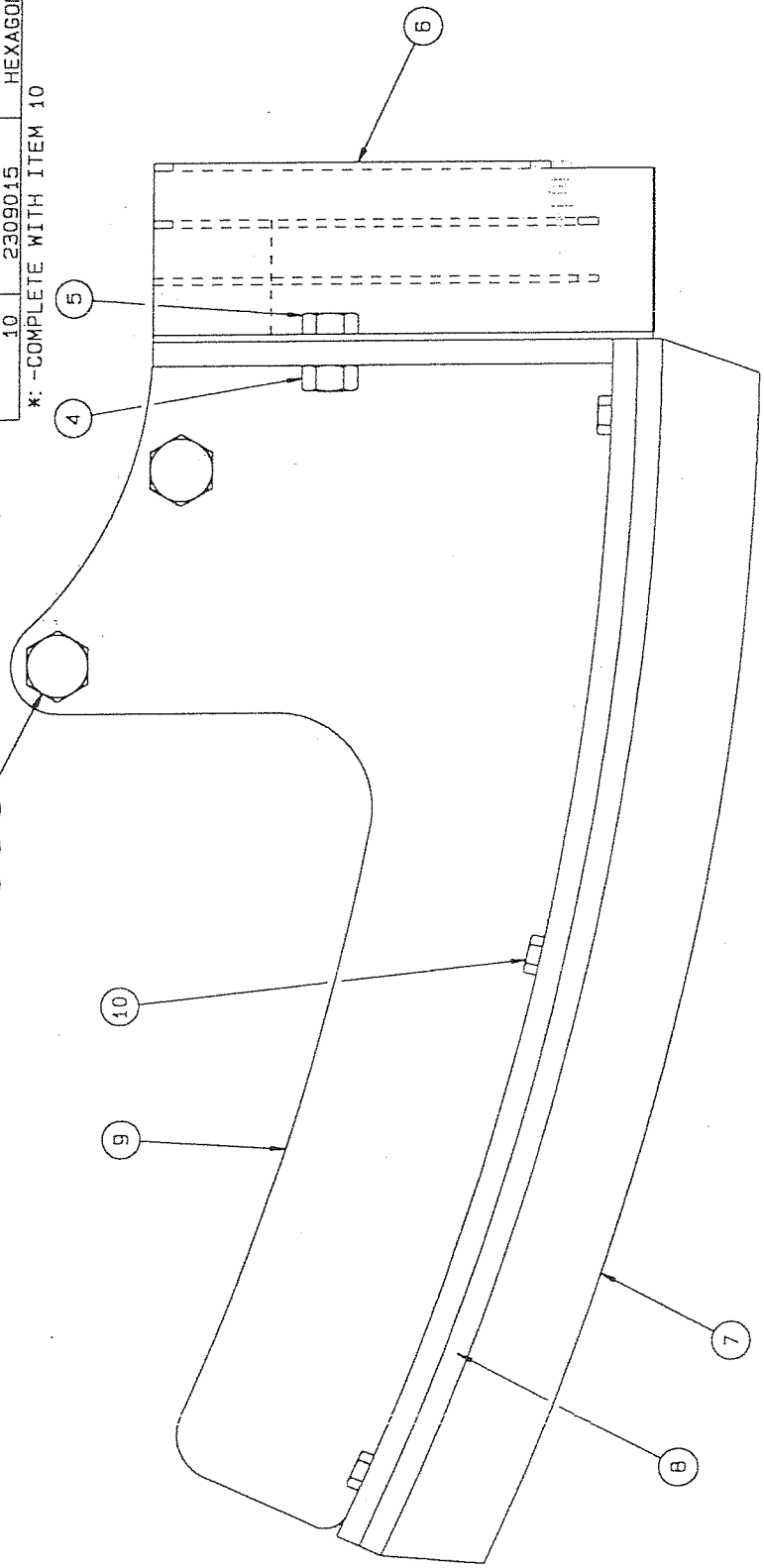
ASSEMBLIES: -

- 7703514 65MM X 2 LINE NON STICK COULTER ASSEMBLY (ITEMS 1-10)
- 7703516 75MM X 2 LINE NON STICK COULTER ASSEMBLY (ITEMS 1-10)
- 7703518 100MM X 2 LINE NON STICK COULTER ASSEMBLY (ITEMS 1-10)
- 7703520 125MM X 2 LINE NON STICK COULTER ASSEMBLY (ITEMS 1-10)
- 7703522 150MM X 2 LINE NON STICK COULTER ASSEMBLY (ITEMS 1-10)

(1) (2) (3)

*: -COMPLETE WITH ITEM 10

1	2306038	HEXAGON BOLT	2
2	2303007	HEXAGON NUT	2
3	6902652	COULTER SCREW SPACER	2
4	2303006	HEXAGON NUT	2
5	2309032	HEXAGON SCREW	2
6	7403420	65MM X 2 LINE CHUTE	1
	7403418	75MM X 2 LINE CHUTE	1
	7403414	100MM X 2 LINE CHUTE	1
	7403513	125MM X 2 LINE CHUTE	1
	7403459	150MM X 2 LINE CHUTE	1
7	8010076	NS SHOE RIB-CAST IRON	2
8	6903187	65MM X 2 LINE NS BASE	1
	6903189	75MM X 2 LINE NS BASE	1
	6903191	100MM X 2 LINE NS BASE	1
	6903192	125MM X 2 LINE NS BASE	1
	6903194	150MM X 2 LINE NS BASE	1
9	7403462	65MM NS COULTER BODY	1
	7403463	75MM NS COULTER BODY	1
	7403464	100MM NS COULTER BODY	1
	7403516	125MM NS COULTER BODY	1
	7403465	150MM NS COULTER BODY	1
10	2309015	HEXAGON SCREW	6



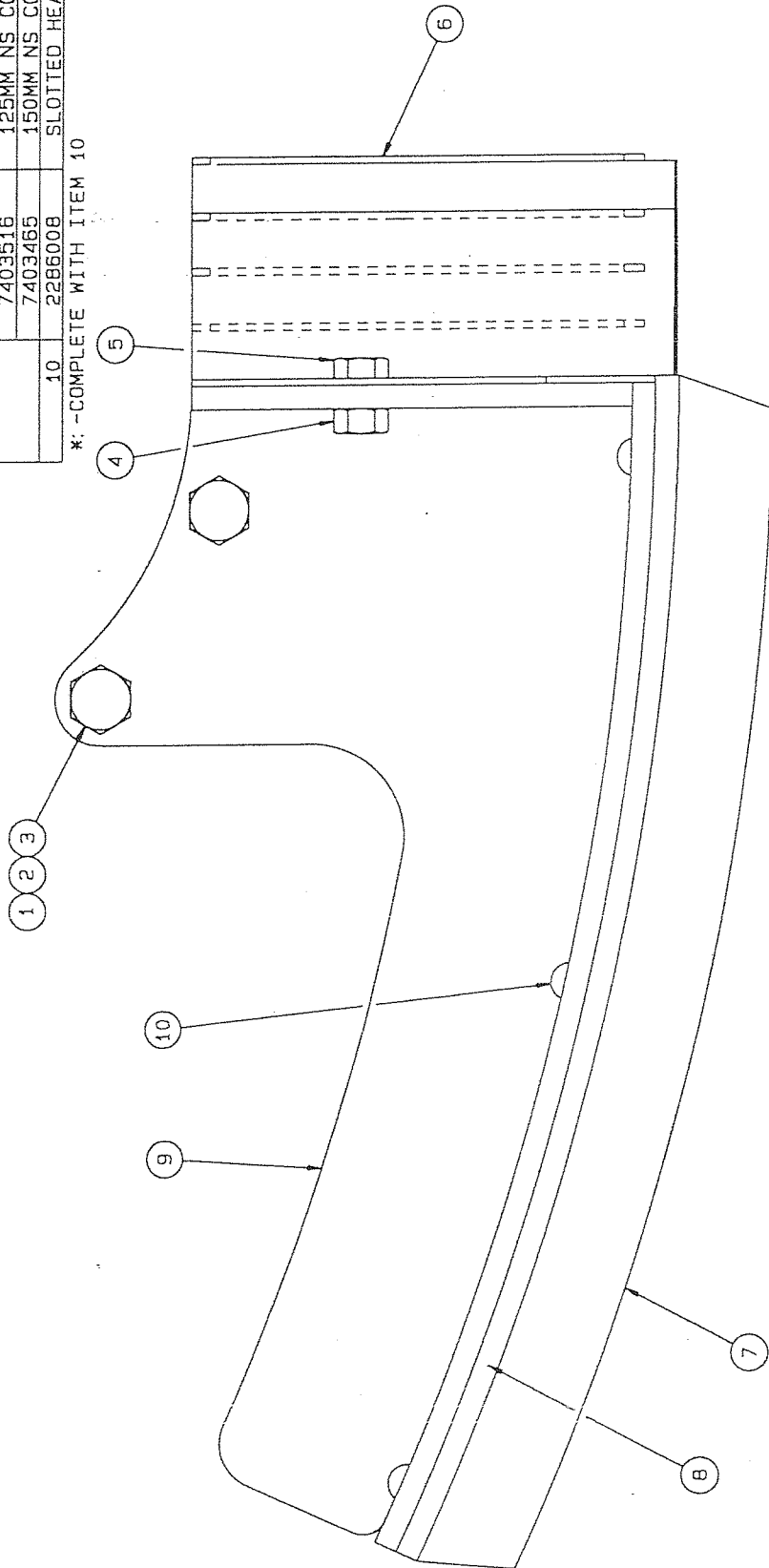
TWO LINE HYLINE NON-STICK COULTER-CAST IRON

ASSEMBLIES: -

- 7703309 65MM X 3 LINE NON STICK COULTER ASSEMBLY (ITEMS 1-10)
- 7703311 75MM X 3 LINE NON STICK COULTER ASSEMBLY (ITEMS 1-10)
- 7703715 100MM X 3 LINE NON STICK COULTER ASSEMBLY (ITEMS 1-10)
- 7703379 125MM X 3 LINE NON STICK COULTER ASSEMBLY (ITEMS 1-10)
- 7703315 150MM X 3 LINE NON STICK COULTER ASSEMBLY (ITEMS 1-10)

1	2306038	HEXAGON BOLT	2
2	2303007	HEXAGON NUT	2
3	6902652	COULTER SCREW SPACER	2
4	2303006	HEXAGON NUT	2
5	2309032	HEXAGON SCREW	2
6	7403419	65MM X 3 LINE CHUTE	1
	7403417	75MM X 3 LINE CHUTE	1
	7403413	100MM X 3 LINE CHUTE	1
	7403514	125MM X 3 LINE CHUTE	1
	7403428	150MM X 3 LINE CHUTE	1
7	8010075	NS SHOE RIB-PLASTIC	3
8	6903188	65MM X 3 LINE NS BASE	1
	6903190	75MM X 3 LINE NS BASE	1
	6903548	100MM X 3 LINE NS BASE	1
	6903193	125MM X 3 LINE NS BASE	1
	6903195	150MM X 3 LINE NS BASE	1
9	7403462	65MM NS COULTER BODY	1
	7403463	75MM NS COULTER BODY	1
	7403897	100MM NS COULTER BODY	1
	7403516	125MM NS COULTER BODY	1
	7403465	150MM NS COULTER BODY	1
10	2286008	SLOTTED HEAD SCREW	9

*: -COMPLETE WITH ITEM 10



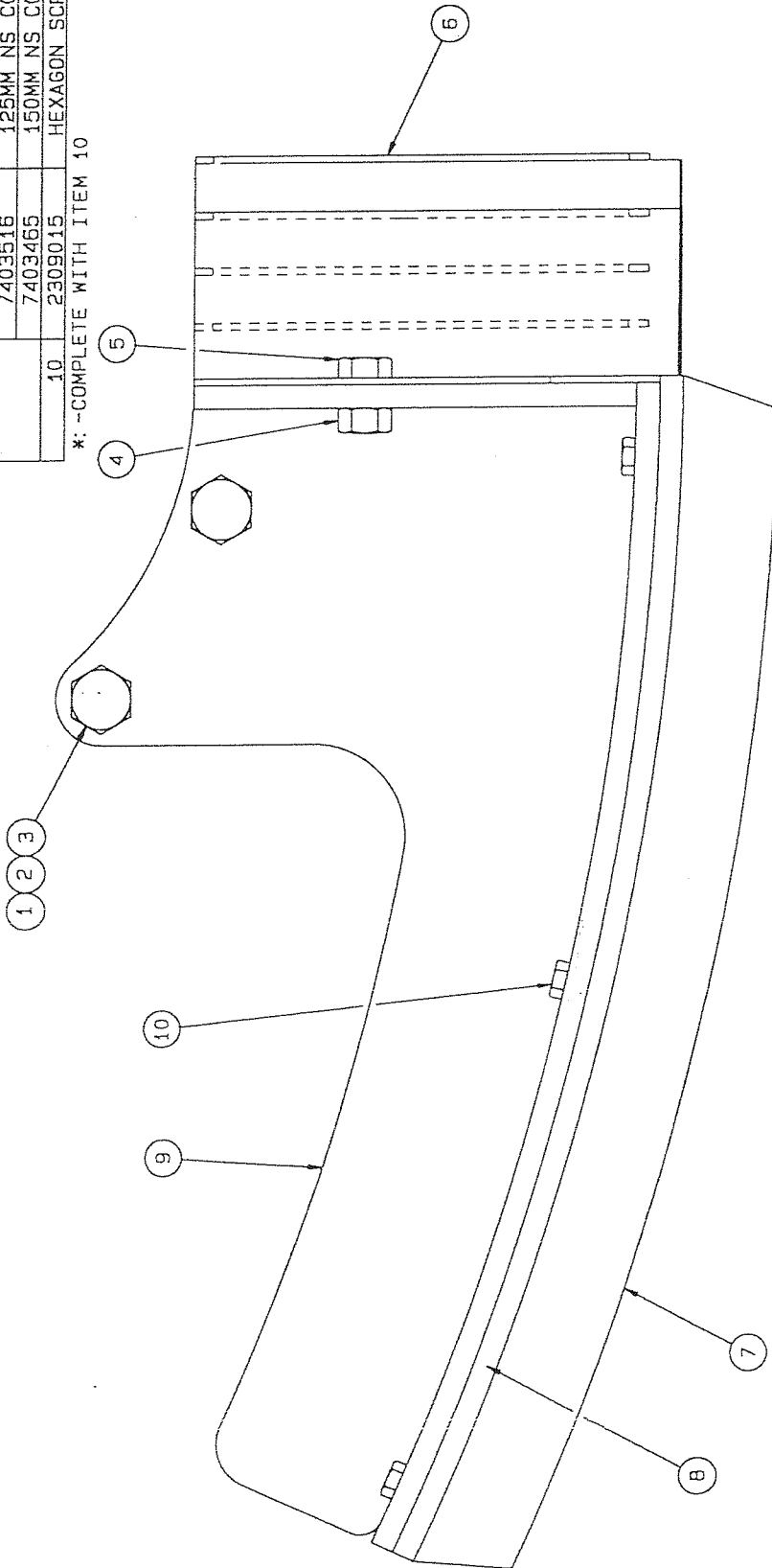
THREE LINE HYLINE NON-STICK COULTER-PLASTIC

ASSEMBLIES: -

- 7703515 65MM X 3 LINE NON STICK COULTER ASSEMBLY (ITEMS 1-10)
- 7703517 75MM X 3 LINE NON STICK COULTER ASSEMBLY (ITEMS 1-10)
- 7703917 100MM X 3 LINE NON STICK COULTER ASSEMBLY (ITEMS 1-10)
- 7703521 125MM X 3 LINE NON STICK COULTER ASSEMBLY (ITEMS 1-10)
- 7703523 150MM X 3 LINE NON STICK COULTER ASSEMBLY (ITEMS 1-10)

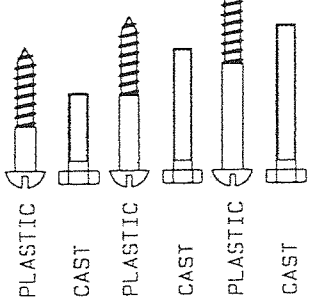
1	230603B	HEXAGON BOLT	2
2	2303007	HEXAGON NUT	2
3	6902652	COULTER SCREW SPACER	2
4	2303006	HEXAGON NUT	2
5	2309032	HEXAGON SCREW	2
6	7403419	65MM X 3 LINE CHUTE	1
	7403417	75MM X 3 LINE CHUTE	1
	7403413	100MM X 3 LINE CHUTE	1
	7403514	125MM X 3 LINE CHUTE	1
	7403428	150MM X 3 LINE CHUTE	1
7	8010076	NS SHOE RIB-CAST IRON	3
8	6903188	65MM X 3 LINE NS BASE	1
	6903190	75MM X 3 LINE NS BASE	1
	6903548	100MM X 3 LINE NS BASE	1
	6903193	125MM X 3 LINE NS BASE	1
	6903195	150MM X 3 LINE NS BASE	1
9	7403462	65MM NS COULTER BODY	1
	7403463	75MM NS COULTER BODY	1
	7403897	100MM NS COULTER BODY	1
	7403516	125MM NS COULTER BODY	1
	7403465	150MM NS COULTER BODY	1
10	2309015	HEXAGON SCREW	9

*: -COMPLETE WITH ITEM 10

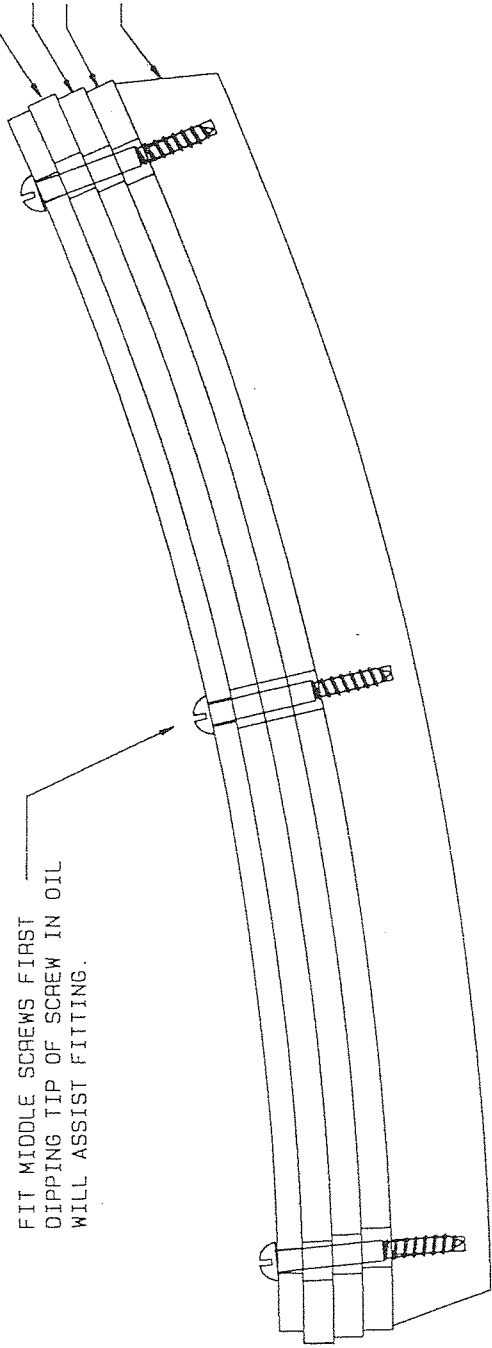


THREE LINE HYLINE NON-STICK COULTER-CAST IRON

- 2286008 1 INCH X NO.8 ROUND HEAD SCREW -USE WITH NO PACKERS
- 2309015 M4 X 16 SET SCREW
- 2286009 1.1/4 INCH X NO.8 ROUND HEAD SCREW -USE WITH ONE PACKER
- 2309017 M4 X 25 SET SCREW
- 2286010 1.1/2 INCH X NO.8 ROUND HEAD SCREW -USE WITH TWO PACKERS
- 2309018 M4 X 30 SET SCREW



SHOE BASE
 PACKER PART NO. 6903239
 SECOND PACKER
 RIB PART NO. 6903165-PLASTIC
 3000705-CAST

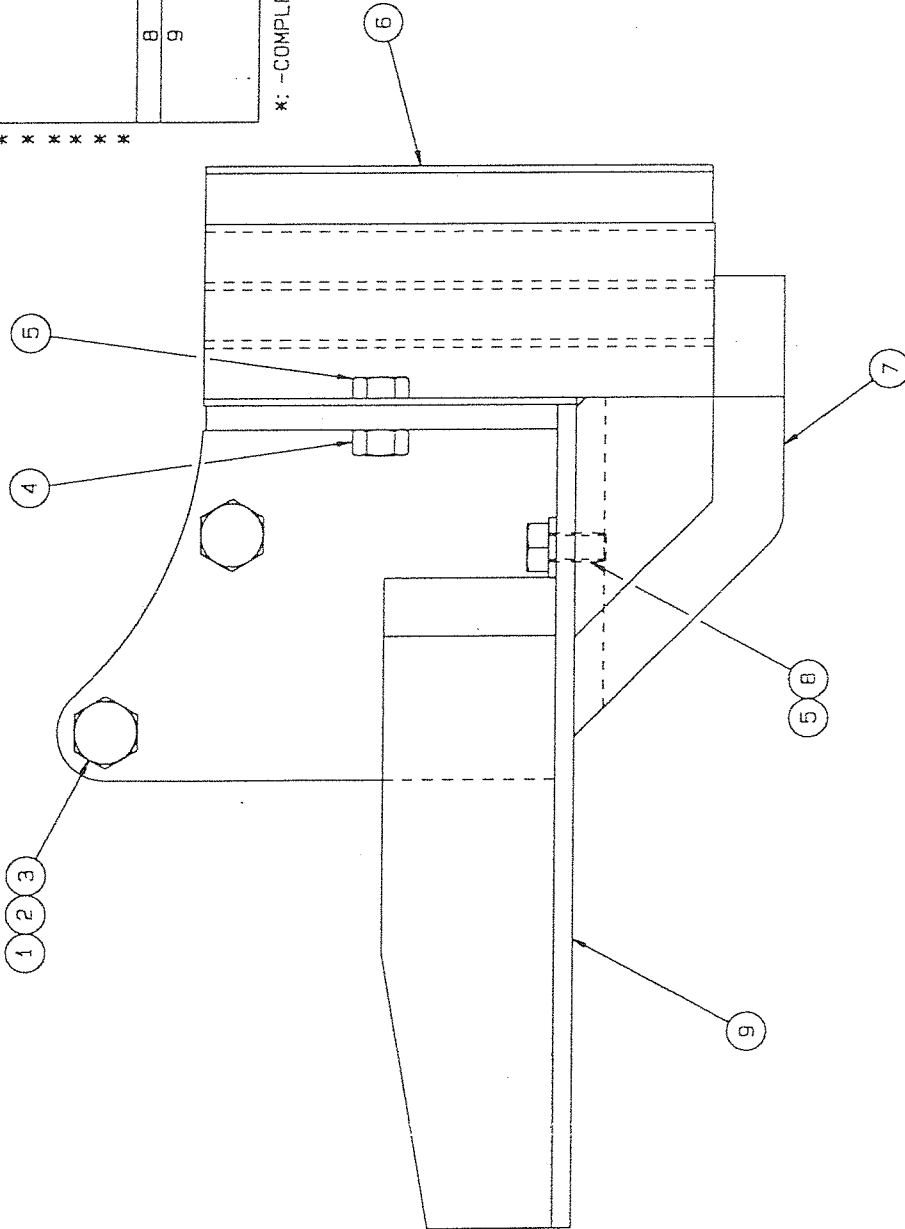


FIT MIDDLE SCREWS FIRST
 DIPPING TIP OF SCREW IN OIL
 WILL ASSIST FITTING.

COULTER RIB PACKERS

ASSEMBLIES: -

- 7703263 75MM X 2 LINE DEEP FIN COULTER ASSEMBLY (ITEMS 1-9)
- 7703264 75MM X 3 LINE DEEP FIN COULTER ASSEMBLY (ITEMS 1-9)
- 7703267 100MM X 2 LINE DEEP FIN COULTER ASSEMBLY (ITEMS 1-9)
- 7703213 100MM X 3 LINE DEEP FIN COULTER ASSEMBLY (ITEMS 1-9)
- 7703381 125MM X 2 LINE DEEP FIN COULTER ASSEMBLY (ITEMS 1-9)
- 7703382 125MM X 3 LINE DEEP FIN COULTER ASSEMBLY (ITEMS 1-9)
- 7703216 150MM X 3 LINE DEEP FIN COULTER ASSEMBLY (ITEMS 1-9)



1	2306038	HEXAGON BOLT	2
2	2303007	HEXAGON NUT	2
3	6902652	COULTER SCREW SPACER	2
4	2303006	HEXAGON NUT	2
5	2309032	HEXAGON SCREW	2
6	7403418	75MM X 2 LINE CHUTE	1
	7403417	75MM X 3 LINE CHUTE	1
	7403414	100MM X 2 LINE CHUTE	1
	7403413	100MM X 3 LINE CHUTE	1
	7403513	125MM X 2 LINE CHUTE	1
	7403514	125MM X 3 LINE CHUTE	1
	7403428	150MM X 3 LINE CHUTE	1
7	8010063	75MM X 2 LINE BASE	1
	8010062	75MM X 3 LINE BASE	1
	8010055	100MM X 2 LINE BASE	1
	8010054	100MM X 3 LINE BASE	1
	8010057	125MM X 2 LINE BASE	1
	8010056	125MM X 3 LINE BASE	1
	8010067	150MM X 3 LINE BASE	1
8	2311133	FLAT WASHER-FORM C	2
9	7403421	75MM COULTER BODY	1
	7403344	100MM COULTER BODY	1
	7403515	125MM COULTER BODY	1
	7403350	150MM COULTER BODY	1

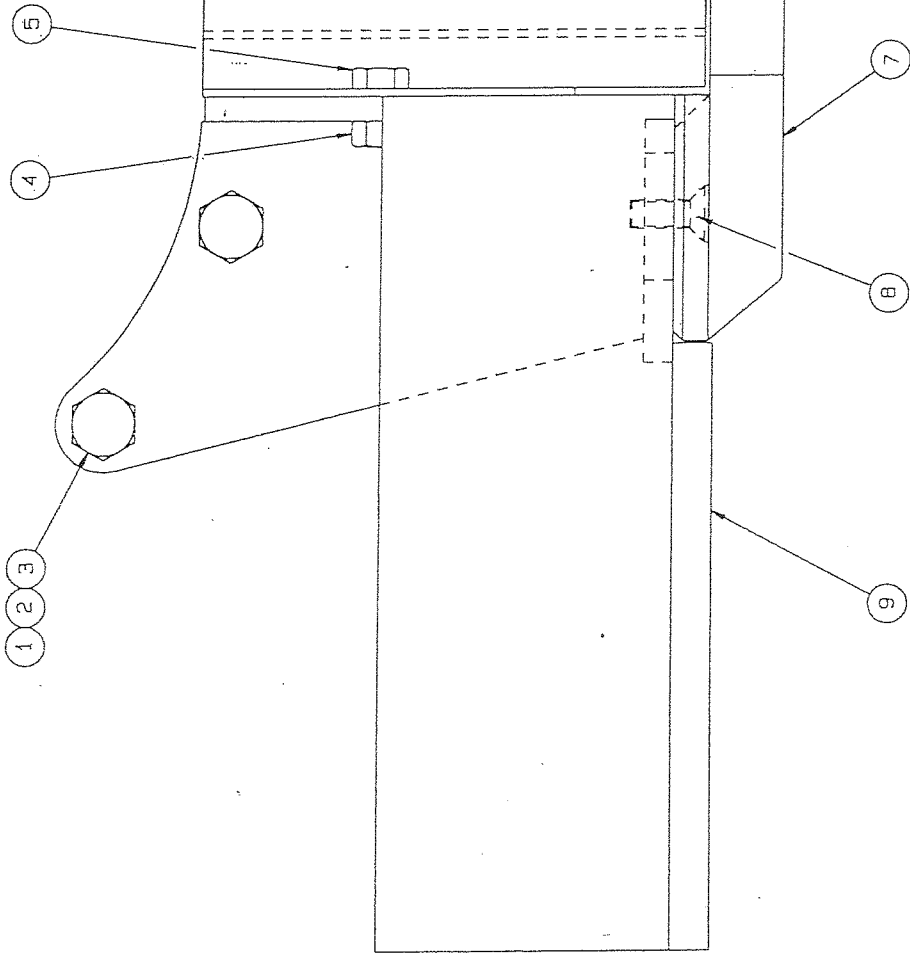
*: -COMPLETE WITH ITEMS 5 & 8

* * * * *

HYLINE DEEP FIN COULTERS

ASSEMBLIES: -

- 7703271 65MM X 2 LINE SHALLOW FIN COULTER ASSEMBLY (ITEMS 1-9)
- 7703272 65MM X 3 LINE SHALLOW FIN COULTER ASSEMBLY (ITEMS 1-9)
- 7703384 75MM X 2 LINE SHALLOW FIN COULTER ASSEMBLY (ITEMS 1-9)
- 7703387 75MM X 3 LINE SHALLOW FIN COULTER ASSEMBLY (ITEMS 1-9)
- 7703214 100MM X 3 LINE SHALLOW FIN COULTER ASSEMBLY (ITEMS 1-9)



1	2305038	HEXAGON BOLT	2
2	2303007	HEXAGON NUT	2
3	6902652	COULTER SCREW, SPACER	2
4	2303006	HEXAGON NUT	2
5	2309032	HEXAGON SCREW	2
6	7403420	65MM X 2 LINE CHUTE	1
	7403419	65MM X 3 LINE CHUTE	1
	7403418	75MM X 2 LINE CHUTE	1
	7403417	75MM X 3 LINE CHUTE	1
	7403415	100MM X 3 LINE CHUTE	1
7	8010048	65MM X 2 LINE BASE	1
	8010049	65MM X 3 LINE BASE	1
	8010073	75MM X 2 LINE BASE	1
	8010074	75MM X 3 LINE BASE	1
	8010050	100MM X 3 LINE BASE	1
8	2376046	SOCKET C'SUNK SCREW	2
9	7403422	65MM COULTER BODY	1
	7403521	75MM COULTER BODY	1
	7403346	100MM COULTER BODY	1

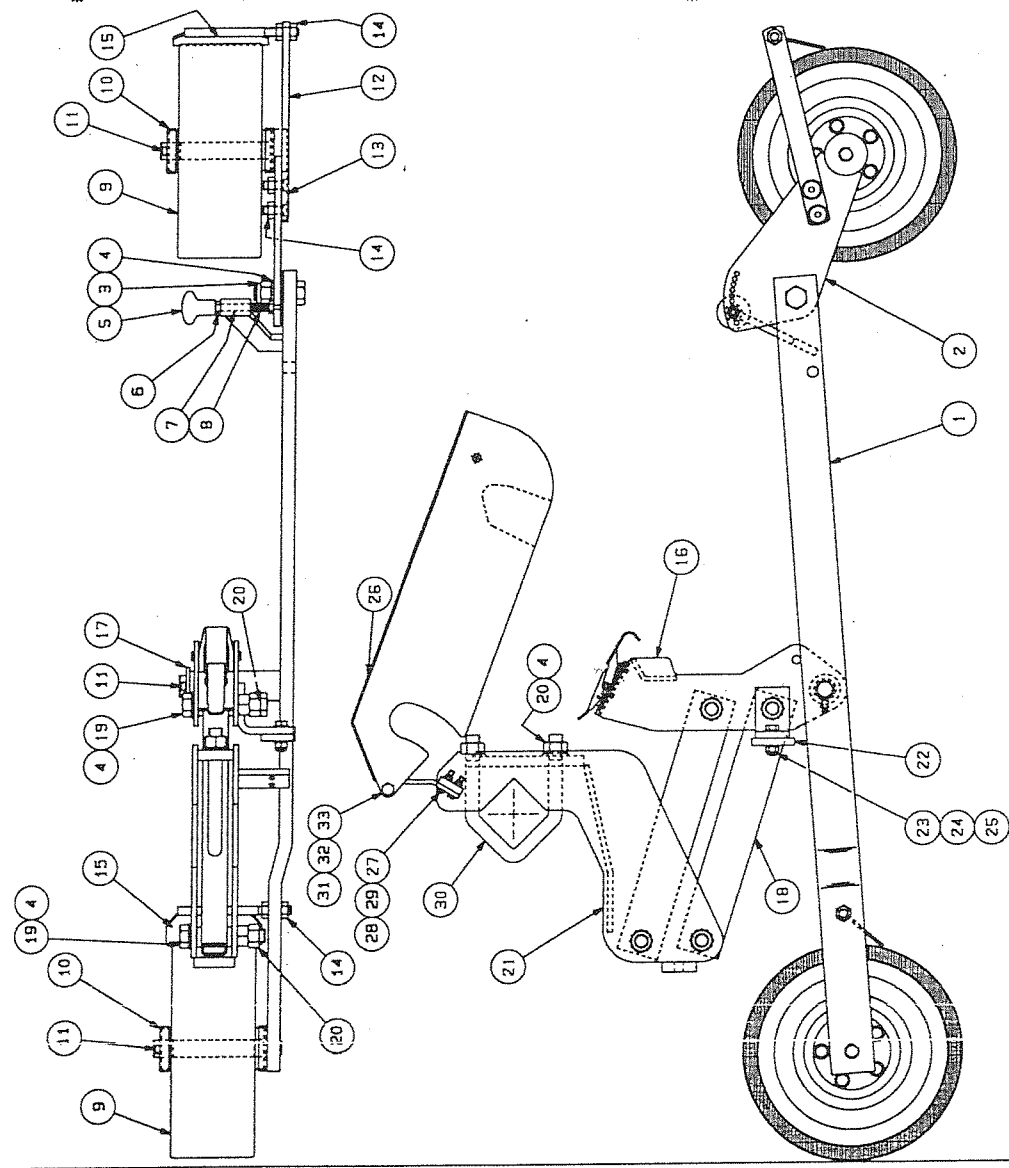
*: -COMPLETE WITH ITEM B

* * * * *

HYLINE SHALLOW FIN COULTERS

1	7703746	ZP WHEEL ARM-ASSY	1
2	7703749	ZP R' WHEEL BRKT-ASSY	1
3	2303095	NYLOC NUT-FULL	1
4	2311092	FLAT WASHER-FORM A	8
5	6404032	PUSH/PULL KNOB	1
6	2303007	HEXAGON NUT	1
7	7703542	DEPTH ADJUSTMENT BOLT	1
8	2701048	ROCKER SPRING	1
9	5700390	230 X 100 ZP WHEEL	2
10	5700391	DUST CAP	4
11	2215613	SPLIT PIN	3
12	6903540	SCRAPER ARM	3
13	2376079	SOCKET C' SUNK SCREW	1
14	2303008	HEXAGON NUT	2
15	7403961	ZPW SCRAPER-WA	6
16	7703704	DEPTH ADJ. BRKT-ASSY	2
17	2311084	FLAT WASHER-FORM A	1
18	7703541	PARALLEL LINK-ASSY	1
19	2306135	HEXAGON BOLT	2
20	2303010	HEXAGON NUT	4
21	7404382	RU HEADSTOCK-W/A	4
22	6903532	ARM STOP PLATE	6
23	2309049	HEXAGON SCREW	1
24	2303092	NYLOC NUT-FULL	1
25	2311089	FLAT WASHER-FORM A	1
26	7404370	FD CHAIN GUARD	2
27	2303090	M5 NYLOC NUT	1
28	7404371	CHAIN GUARD BRKT.	2
29	2303090	M5 PLN FLAT WASHER	1
30	8002125	U-BOLT C/W ITEMS 4, 20	2
31	2306041	M8 X 55 BOLT	1
32	2311089	M8 FLAT WASHER	1
33	2303092	M8 NYLOC NUT-FULL	1

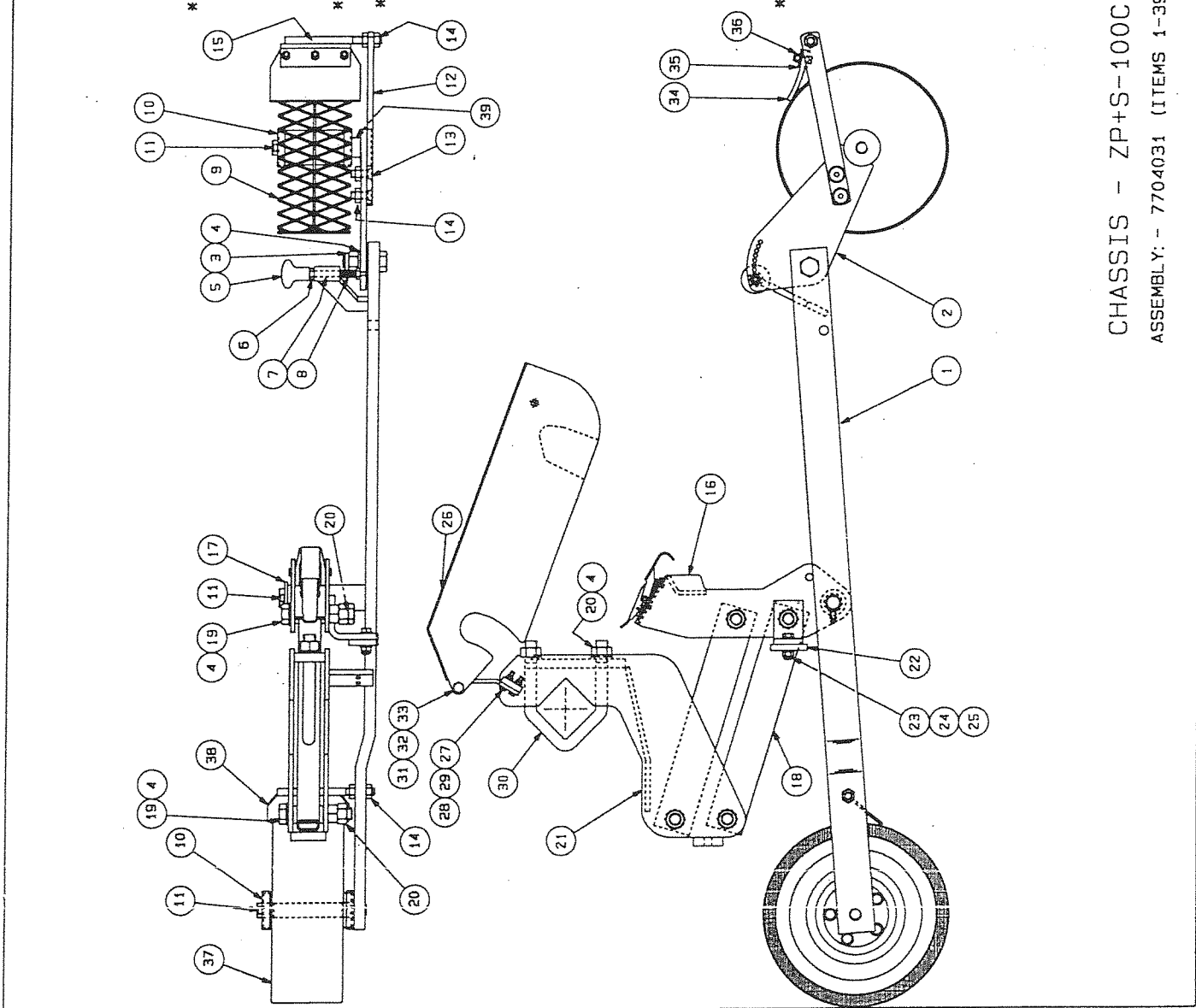
*: -SEE OTHER PAGES FOR PARTS



CHASSIS - ZP+S-ZP+S
ASSEMBLY: - 7704030 (ITEMS 1-33)

1	7703746	ZP WHEEL ARM-ASSY	1
2	7703750	120 R WHEEL BRKT-ASY	1
3	2303095	NYLOC NUT-FULL	1
4	2311092	FLAT WASHER-FORM A	8
5	6404032	PUSH/PULL KNOB	1
6	2303007	HEXAGON NUT	1
7	7703542	DEPTH ADJUSTMENT BOLT	1
8	2701048	ROCKER SPRING	1
9	7703728	100 CAGE WHEEL-ASSY	1
10	5700391	DUST CAP	4
11	2215613	SPLIT PIN	3
12	6903540	SCRAPER ARM	1
13	2376079	SOCKET C SUNK SCREW	2
14	2303008	HEXAGON NUT	6
15	7403893	120 SCRAPER PLATE-WA	1
16	7703704	DEPTH ADJ BRKT-ASSY	1
17	2311094	FLAT WASHER-FORM A	1
18	7703541	PARALLEL LINK-ASSY	2
19	2306135	HEXAGON BOLT	4
20	2303010	HEXAGON NUT	6
21	7404382	RU HEADSTOCK-W/A	1
22	6903532	ARM STOP PLATE	1
23	2309049	HEXAGON SCREW	1
24	2303092	NYLOC NUT-FULL	1
25	2311089	FLAT WASHER-FORM A	2
26	7404370	FD CHAIN GUARD	1
27	2303090	M5 NYLOC NUT	2
28	7404371	CHAIN GUARD BRKT.	1
29	2303090	M5 PLN FLAT WASHER	2
30	8002125	U-BOLT C/W ITEMS 4, 20	1
31	2306041	MB X 55 BOLT	1
32	2311089	MB FLAT WASHER	1
33	2303092	MB NYLOC NUT-FULL	1
34	6903541	120 SCRAPER BLADE	1
35	6903542	120 SCRAPER CLAMP	1
36	2303091	M6 NYLOC NUT-FULL	3
37	5700390	230 X 100 ZP WHEEL	1
38	7403961	ZPW SCRAPER-WA	1
39	6903599	WHEEL SPACER-12	1

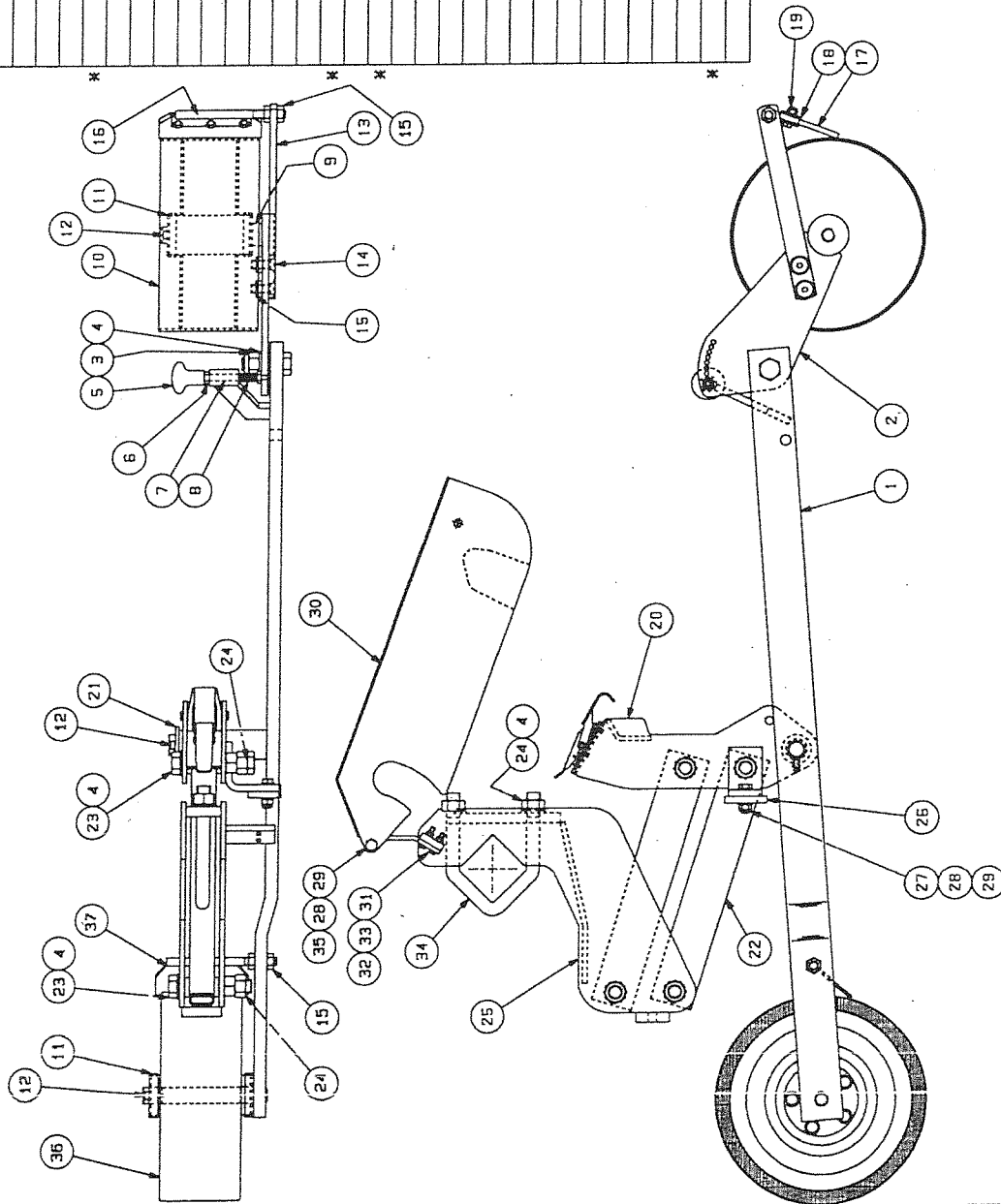
*: -SEE OTHER PAGES FOR PARTS



CHASSIS - ZP+S-100C
ASSEMBLY: - 7704031 (ITEMS 1-39)

1	7703746	ZP WHEEL ARM-ASSY	1
2	7703750	120 R WHEEL BRKT-ASY	1
3	2303095	NYLOC NUT-FULL	1
4	2311092	FLAT WASHER-FORM A	8
5	6404032	PUSH/PULL KNOB	1
6	2303007	HEXAGON NUT	1
7	7703542	DEPTH ADJUSTMENT BOLT	1
8	2701048	ROCKER SPRING	1
9	6903599	WHEEL SPACER-12	1
10	7703705	120S WHEEL-ASSY	1
11	5700391	DUST CAP	4
12	2215613	SPLIT PIN	3
13	6903540	SCRAPER ARM	1
14	2376079	SOCKET C'SUNK SCREW	2
15	2303008	HEXAGON NUT	6
16	7403893	120 SCRAPER PLATE WA	1
17	6903541	120 SCRAPER BLADE	1
18	6903542	120 SCRAPER CLAMP	1
19	2303091	NYLOC NUT-FULL	6
20	7703704	DEPTH ADJ. BRKT-ASSY	1
21	2311094	FLAT WASHER-FORM A	1
22	7703541	PARALLEL LINK-ASSY	2
23	2306135	HEXAGON BOLT	4
24	2303010	HEXAGON NUT	6
25	7404382	RU HEADSTOCK- W/A	1
26	6903532	ARM STOP PLATE	1
27	2309049	HEXAGON SCREW	1
28	2311089	M8 FLAT WAHSE	3
29	2303092	M8 NYLOC NUT -FULL	2
30	7404370	FD CHAIN GUARD	1
31	2303090	M5 NYLOC NUT-FULL	2
32	7404371	CHAIN GUARD BRKT.	1
33	2311132	M5 PLN FLAT WASHER	2
34	8002125	U-BOLT C/W ITEMS 4, 24	1
35	2306041	M8 X 55 BOLT	1
36	5700390	230 X 100 ZP WHEEL	1
37	7403961	ZPW SCRAPER-WA	1

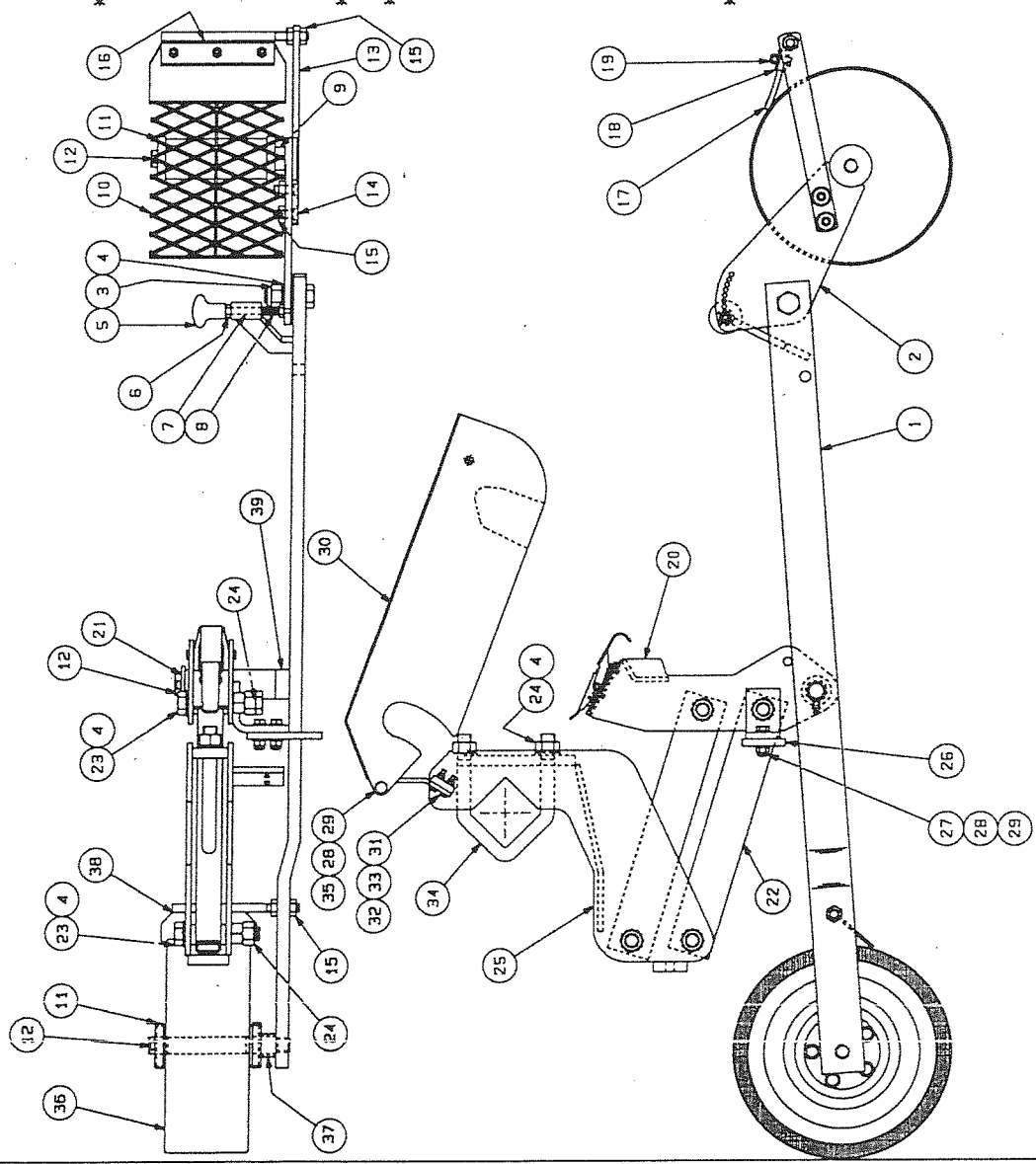
*: -SEE OTHER PAGES FOR PARTS



CHASSIS - ZP+S-120S
ASSEMBLY: - 7704032 (ITEMS 1-37)

1	7703843	ZP WHEEL ARM-ASSY	1
2	7703844	160 R WHEEL BRKT-ASSY	1
3	2303095	NYLOC NUT-FULL	1
4	2311092	FLAT WASHER-FORM A	8
5	6404032	PUSH/PULL KNOB	1
6	2303007	HEXAGON NUT	1
7	7703542	DEPTH ADJUSTMENT BOLT	1
8	2701048	ROCKER SPRING	1
9	6903599	WHEEL SPACER-12	1
10	7703846	160C WHEEL-ASSY	1
11	5700391	DUST CAP	4
12	2215613	SPLIT PIN	3
13	6903540	SCRAPER ARM	1
14	2376079	SOCKET C-SUNK SCREW	2
15	2303008	HEXAGON NUT	6
16	7404091	160 SCRAPER PLATE-WA	1
17	6903720	160 SCRAPER BLADE	1
18	6903721	160 SCRAPER CLAMP	1
19	2303091	NYLOC NUT-FULL	6
20	7703704	DEPTH ADJ. BRKT-ASSY	1
21	2311094	FLAT WASHER-FORM A	1
22	7703541	PARALLEL LINK-ASSY	2
23	2306135	HEXAGON BOLT	4
24	2303010	HEXAGON NUT	6
25	7404382	RU HEADSTOCK- W/A	1
26	6903551	WHEEL ARM STOP PLATE	1
27	2309049	HEXAGON SCREW	2
28	2311089	MB FLAT WASHER	5
29	2303092	MB NYLOC NUT-FULL	3
30	7404370	FD CHAIN GUARD	1
31	2303090	M5 NYLOC NUT-FULL	2
32	7404371	CHAIN GUARD BRKT.	1
33	2311132	M5 PLN FLAT WASHER	2
34	8002125	U-BOLT C/W ITEMS 4, 24	1
35	2306041	MB X 55 BOLT	1
36	5700390	230 X 100 ZP WHEEL	1
37	6903719	WHEEL SPACER-18	1
38	7404092	ZP WHEEL SCRAPER-WA	1
39	6903718	WHL. ARM PIV. SPACER-17	1

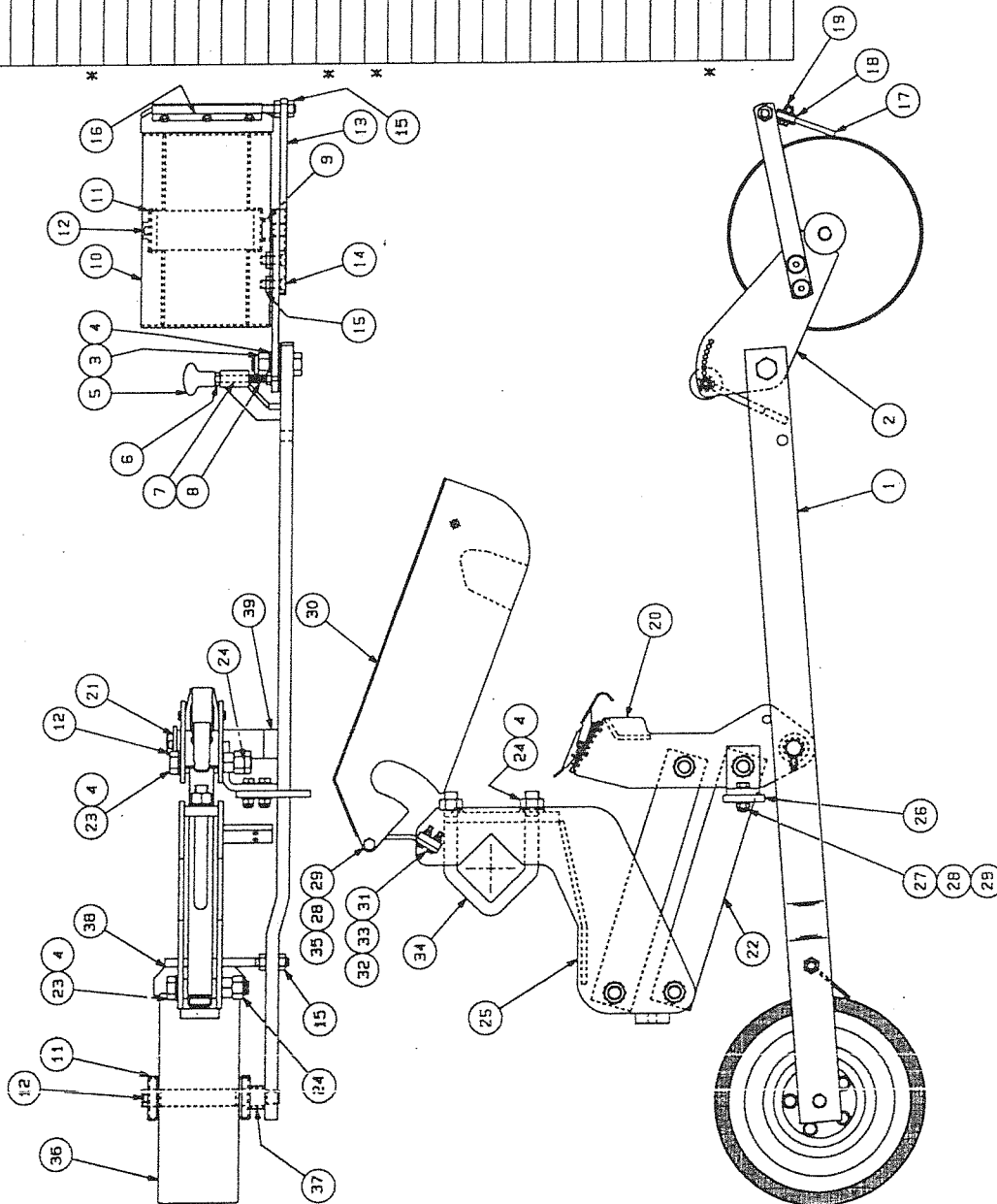
*: -SEE OTHER PAGES FOR PARTS



CHASSIS - ZP+S-160C
ASSEMBLY : - 7704033 (ITEMS 1-39)

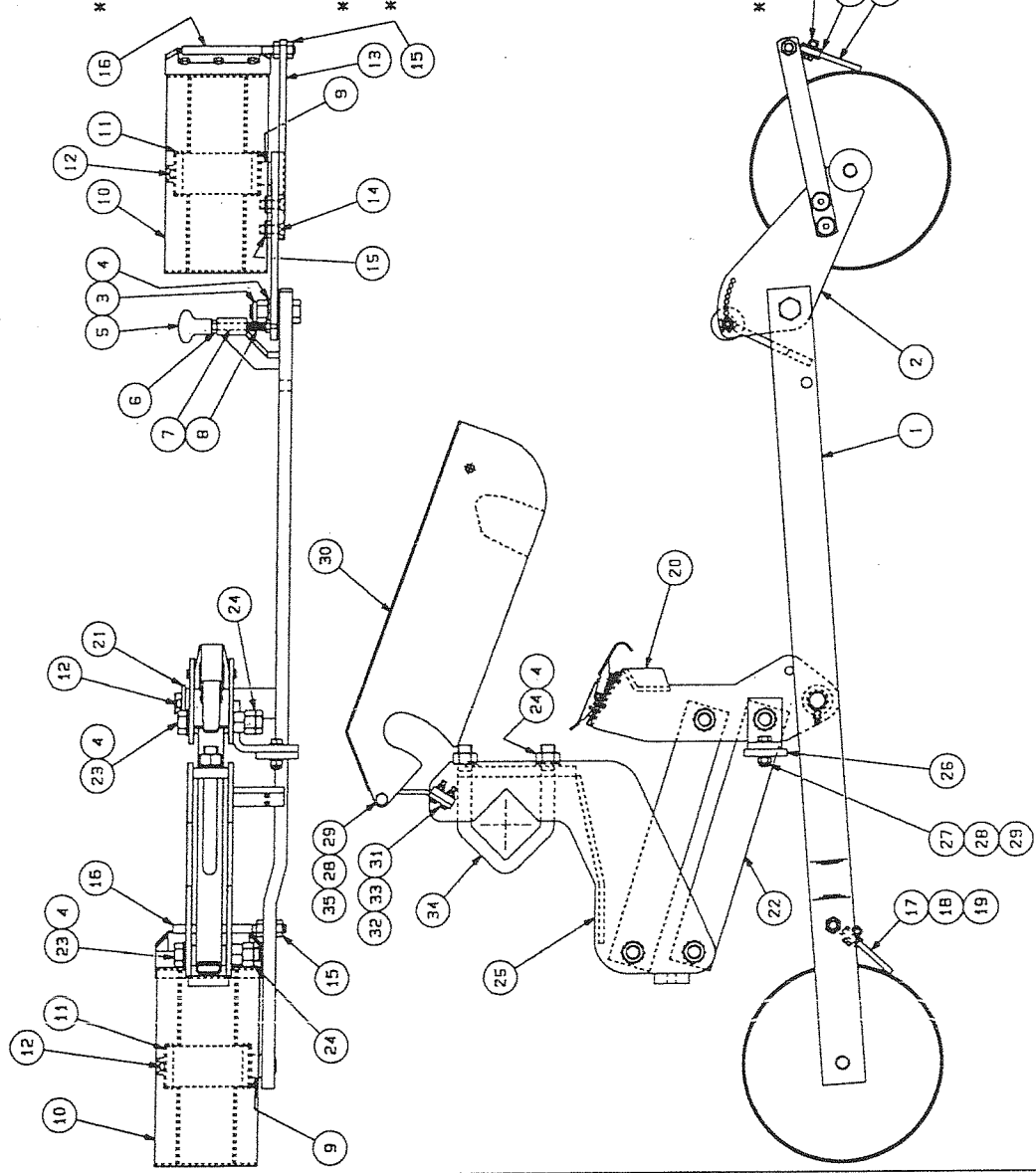
1	7703843	ZP WHEEL ARM-ASSY	1
2	7703844	160 R WHEEL BRKT-ASSY	1
3	2303095	NYLOC NUT-FULL	1
4	2311092	FLAT WASHER-FORM A	8
5	6404032	PUSH/PULL KNOB	1
6	2303007	HEXAGON NUT	1
7	7703542	DEPTH ADJUSTMENT BOLT	1
8	2701048	ROCKER SPRING	1
9	6903599	WHEEL SPACER-12	1
10	7703845	160S WHEEL ASSY	1
11	5700391	DUST CAP	4
12	2215613	SPLIT PIN	3
13	6903540	SCRAPER ARM	1
14	2376079	SOCKET C'SUNK SCREW	2
15	2303008	HEXAGON NUT	6
16	7404091	160 SCRAPER PLATE-WA	1
17	6903720	160 SCRAPER BLADE	1
18	6903721	160 SCRAPER CLAMP	1
19	2303091	NYLOC NUT-FULL	6
20	7703704	DEPTH ADJ. BRKT-ASSY	1
21	2311094	FLAT WASHER-FORM A	1
22	7703541	PARALLEL LINK-ASSY	2
23	2306135	HEXAGON BOLT	4
24	2303010	HEXAGON NUT	6
25	7404382	RU HEADSTOCK- W/A	1
26	6903551	WHEEL ARM STOP PLATE	1
27	2309049	HEXAGON SCREW	2
28	2311089	M8 FLAT WAHSER	5
29	2303092	M8 NYLOC NUT-FULL	3
30	7404370	FD CHAIN GUARD	1
31	2303090	M5 NYLOC NUT-FULL	2
32	7404371	CHAIN GUARD BRKT.	1
33	2311132	M5 PLN FLAT WASHER	2
34	8002125	U-BOLT C/W ITEMS 4, 24	1
35	2306041	M8 X 55 BOLT	1
36	5700390	230 X 100 ZP WHEEL	1
37	6903719	WHEEL SPACER-18	1
38	7404092	ZP WHEEL SCRAPER-WA	1
39	6903718	WHL.ARM PIV. SPACER-17	1

*: -SEE OTHER PAGES FOR PARTS



CHASSIS - ZP+S-160S
ASSEMBLY: - 7704034 (ITEMS 1-39)

1	7703747	120 WHEEL ARM-ASSY	1
2	7703750	120 R' WHEEL BRKT-ASY	1
3	2303095	NYLOC NUT-FULL	1
4	2311092	FLAT WASHER-FORM A	8
5	6404032	PUSH/PULL KNOB	1
6	2303007	HEXAGON NUT	1
7	7703542	DEPTH ADJUSTMENT BOLT	1
8	2701048	ROCKER SPRING	1
9	6903599	WHEEL SPACER-12	2
10	7703705	120S WHEEL-ASSY	2
11	5700391	DUST CAP	4
12	2215613	SPLIT PIN	3
13	6903540	SCRAPER ARM	1
14	2376079	SOCKET C'SUNK SCREW	2
15	2303008	HEXAGON NUT	6
16	7403893	120 SCRAPER PLATE-WA	2
17	6903541	120 SCRAPER BLADE	2
18	6903542	120 SCRAPER CLAMP	2
19	2303091	NYLOC NUT-FULL	6
20	7703704	DEPTH ADJ. BRKT-ASSY	1
21	2311094	FLAT WASHER-FORM A	1
22	7703541	PARALLEL LINK-ASSY	2
23	2306135	HEXAGON BOLT	4
24	2303010	HEXAGON NUT	6
25	7404382	RU HEADSTOCK - W/A	1
26	6903532	ARM STOP PLATE	1
27	2309049	HEXAGON SCREW	1
28	2311089	M8 FLAT WAHSER	3
29	2303092	M8 NYLOC NUT -FULL	2
30	7404370	FD CHAIN GUARD	1
31	2303090	M5 NYLOC NUT-FULL	2
32	7404371	CHAIN GUARD BRKT.	2
33	2311132	M5 PLN FLAT WASHER	1
34	8002125	U-BOLT C/W ITEMS 4, 24	2
35	2306041	M8 X 55 BOLT	1

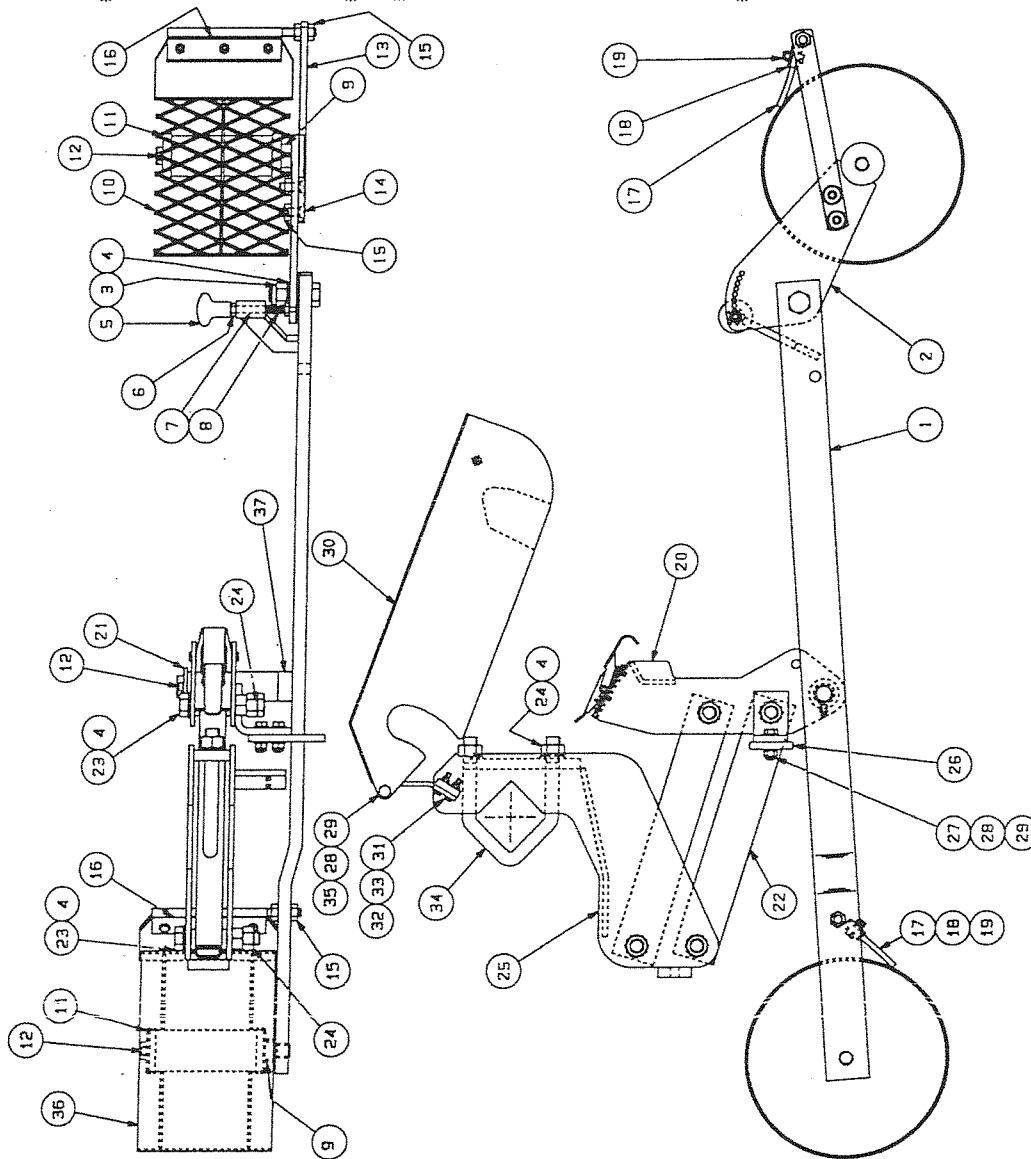


*: -SEE OTHER PAGES FOR PARTS

CHASSIS - 120S-120S
ASSEMBLY: - 7704035 (ITEMS 1-32)

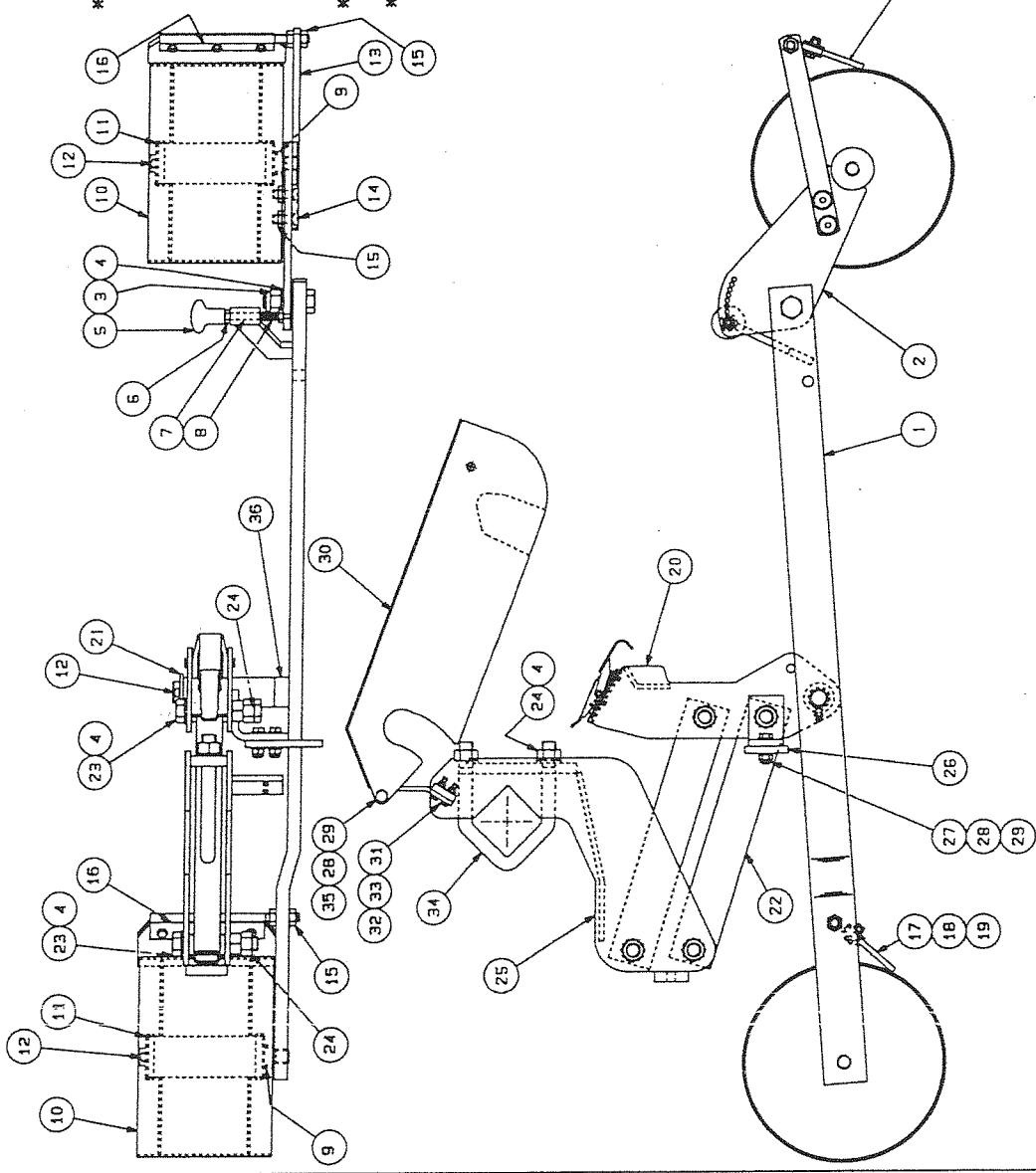
1	7703842	160 WHEEL ARM-ASSY	1
2	7703844	160 R' WHEEL BRKT-ASSY	1
3	2303095	NYLOC NUT-FULL	1
4	2311092	FLAT WASHER-FORM A	8
5	6404032	PUSH/PULL KNOB	1
6	2303007	HEXAGON NUT	1
7	7703542	DEPTH ADJUSTMENT BOLT	1
8	2701048	ROCKER SPRING	1
9	6903599	WHEEL SPACER-12	1
10	7703846	160C WHEEL-ASSY	1
11	5700391	DUST CAP	4
12	2215613	SPLIT PIN	3
13	6903540	SCRAPER ARM	1
14	2376079	SOCKET C'SUNK SCREW	2
15	2303008	HEXAGON NUT	6
16	7404091	160 SCRAPER PLATE-WA	2
17	6903720	160 SCRAPER BLADE	2
18	6903721	160 SCRAPER CLAMP	2
19	2303091	NYLOC NUT-FULL	6
20	7703704	DEPTH ADJ BRKT-ASSY	1
21	2311094	FLAT WASHER-FORM A	1
22	7703541	PARALLEL LINK-ASSY	2
23	2306135	HEXAGON BOLT	4
24	2303010	HEXAGON NUT	6
25	7404382	HU HEADSTOCK- W/A	1
26	6903551	WHEEL ARM STOP PLATE	1
27	2309049	HEXAGON SCREW	2
28	2311089	M8 FLAT WASHER	5
29	2303092	M8 NYLOC NUT-FULL	3
30	7404370	FD CHAIN GUARD	1
31	2303090	M5 NYLOC NUT-FULL	2
32	7404371	CHAIN GUARD BRKT.	1
33	2311132	M5 PLN FLAT WASHER	2
34	8002125	U-BOLT C/W ITEMS 4, 24	1
35	2306041	M8 X 55 BOLT	1
36	7703845	160S WHEEL-ASSY	1
37	6903718	WHL.ARM PIV. SPACER-17	1

*: -SEE OTHER PAGES FOR PARTS



CHASSIS - 160S-160C
ASSEMBLY : - 7704037 (ITEMS 1-37)

1	7703B42	160 WHEEL ARM-ASSY	1
2	7703B44	160 R'WHEEL BRKT-ASSY	1
3	2303095	NYLOC NUT-FULL	1
4	2311092	FLAT WASHER-FORM A	8
5	5404032	PUSH/PULL KNOB	1
6	2303007	HEXAGON NUT	1
7	7703542	DEPTH ADJUSTMENT BOLT	1
8	270104B	ROCKER SPRING	1
9	6903599	WHEEL SPACER-12	2
10	7703B45	160S WHEEL ASSY.	2
11	5700391	DUST CAP	4
12	2215613	SPLIT PIN	3
13	6903540	SCRAPER ARM	1
14	2376079	SOCKET C'SUNK SCREW	2
15	2303008	HEXAGON NUT	6
16	7404091	160 SCRAPER PLATE-WA	2
17	6903720	160 SCRAPER BLADE	2
18	6903721	160 SCRAPER CLAMP	2
19	2303091	NYLOC NUT-FULL	6
20	7703704	DEPTH ADJ.BRKT-ASSY	1
21	2311094	FLAT WASHER-FORM A	1
22	7703541	PARALLEL LINK-ASSY	2
23	2305135	HEXAGON BOLT	4
24	2303010	HEXAGON NUT	6
25	7404382	RU HEADSTOCK- W/A	1
26	6903551	WHEEL ARM STOP PLATE	1
27	2309049	HEXAGON SCREW	2
28	2311089	MB FLAT WASHER	5
29	2303092	MB NYLOC NUT-FULL	3
30	7404370	FD CHAIN GUARD	1
31	2303090	M5 NYLOC NUT-FULL	2
32	7404371	CHAIN GUARD BRKT.	1
33	2311132	M5 PLN FLAT WASHER	2
34	8002125	U-BOLT C/W ITEMS 4, 24	1
35	2306041	MB X 55 BOLT	1
36	6903718	WHL.ARM PIV. SPACER-17	1

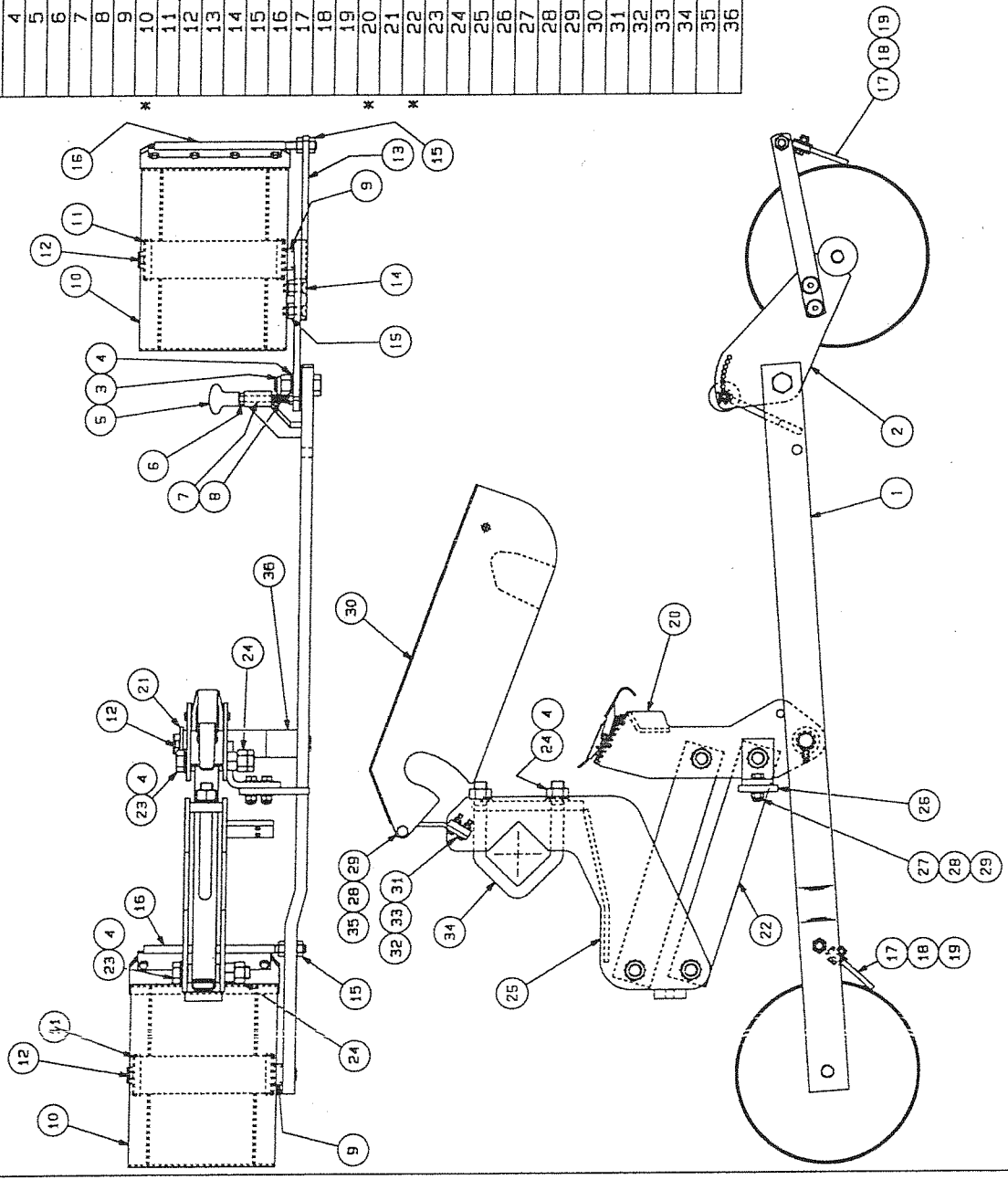


*: -SEE OTHER PAGES FOR PARTS

CHASSIS - 160S-160S
 ASSEMBLY : - 7704038 (ITEMS 1-36)

1	7703748	200 WHEEL ARM-ASSY	1
2	7703751	200 R WHEEL BRKT-ASY	1
3	2303095	NYLOC NUT-FULL	1
4	2311092	FLAT WASHER-FORM A	8
5	6404032	PUSH/PULL KNOB	1
6	2303007	HEXAGON NUT	1
7	7703542	DEPTH ADJUSTMENT BOLT	1
8	2701048	ROCKER SPRING	1
9	6903599	WHEEL SPACER-12	2
10	7703718	200S WHEEL-ASSY	2
11	5700391	DUST CAP	4
12	2215613	SPLIT PIN	3
13	6903540	SCRAPER ARM	1
14	2376079	SOCKET C SUNK SCREW	2
15	2303008	HEXAGON NUT	6
16	7403902	200 SCRAPER PLATE-WA	2
17	6903647	200 SCRAPER BLADE	2
18	6903648	200 SCRAPER CLAMP	2
19	2303091	NYLOC NUT-FULL	8
20	7703704	DEPTH ADJ BRKT-ASSY	1
21	2311094	FLAT WASHER-FORM A	1
22	7703541	PARALLEL LINK-ASSY	2
23	2306135	HEXAGON BOLT	4
24	2303010	HEXAGON NUT	6
25	7404382	RU HEADSTOCK- W/A	1
26	6903551	WHEEL ARM STOP PLATE	1
27	2309049	HEXAGON SCREW	2
28	2311089	M8 FLAT WASHER	5
29	2303092	M8 NYLOC NUT-FULL	3
30	7404370	FD CHAIN GUARD	1
31	2303090	M5 NYLOC NUT-FULL	2
32	7404371	CHAIN GUARD BRKT.	1
33	2311132	M5 PLN FLAT WASHER	2
34	8002125	U-BOLT C/W ITEMS 4, 24	1
35	2306041	M8 X 55 BOLT	1
36	6903550	WHL ARM PIV SPACER-40	1

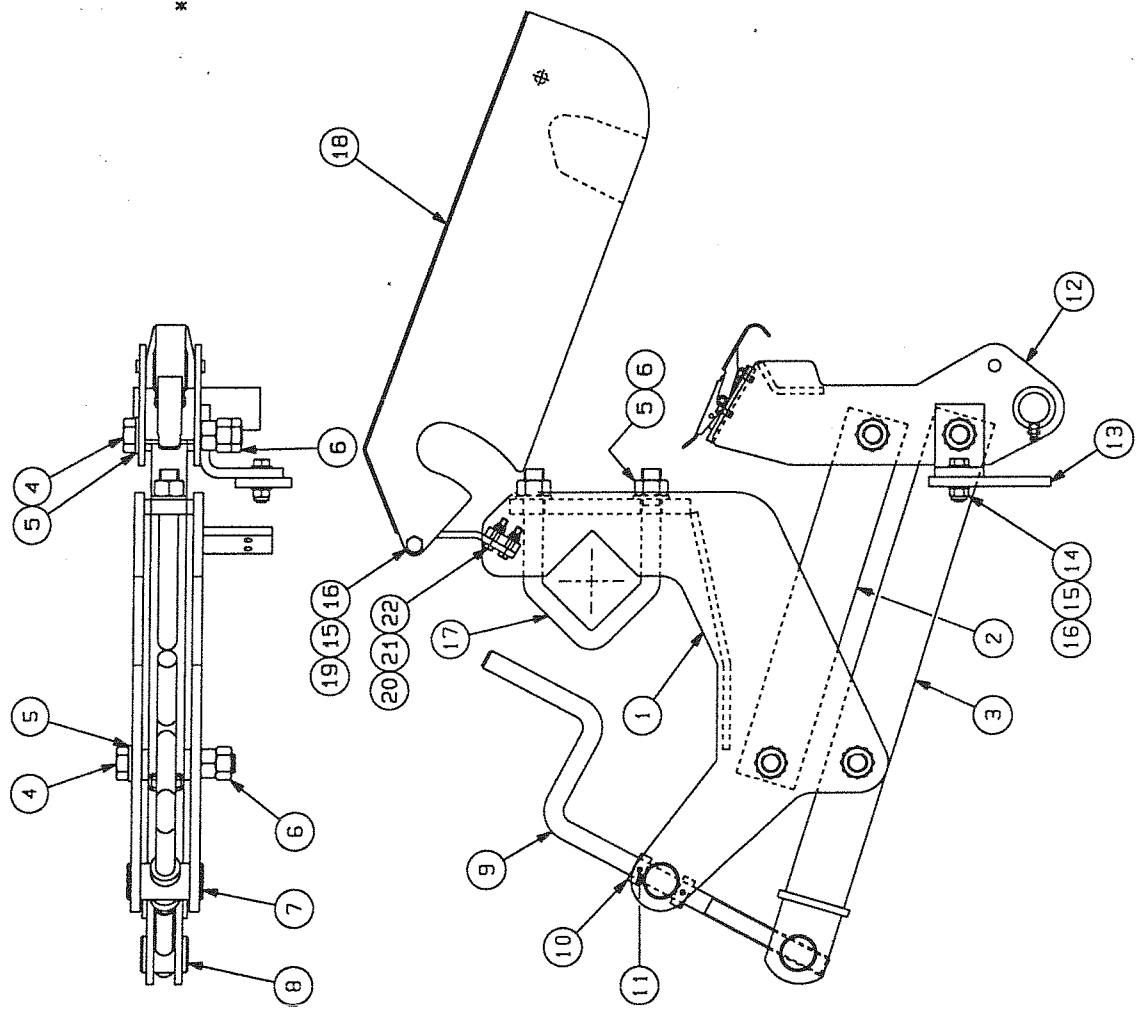
*: -SEE OTHER PAGES FOR PARTS



CHASSIS -200S-200S

ASSEMBLY : -7704039 (ITEMS 1-36)

1	7404086	RU H' STOCK (OC) -WA	1
2	7703541	PARALLEL LINK-ASSY	1
3	7703836	PAR LINK-EXTEND.-ASY	1
4	2306135	HEXAGON BOLT	4
5	2311092	FLAT WASHER-FORM A	6
6	2303010	HEXAGON NUT	6
7	6903710	UPPER TRUNNION	1
8	6903711	LOWER TRUNNION	1
9	6903708	DEPTH HANDLE	1
10	6903709	DEPTH HANDLE COLLAR	2
11	2215256	TENSION PIN	2
12	7703704	DEPTH ADJ BRKT-ASSY	1
13	6904012	ARM STOP PLATE-SLED	1
14	2309049	HEXAGON SCREW	1
15	2311089	M8 FLAT WASHER	3
16	2303092	M8 NYLOC NUT-FULL	2
17	8002125	U-BOLT C/W ITEMS 5, 6	1
18	7404370	FD CHAIN GUARD	1
19	2306041	M8 X 55 BOLT	1
20	2303090	M5 NYLOC NUT-FULL	2
21	7404371	CHAIN GUARD BRACKET	1
22	2311132	M5 PLN FLAT WASHER	2

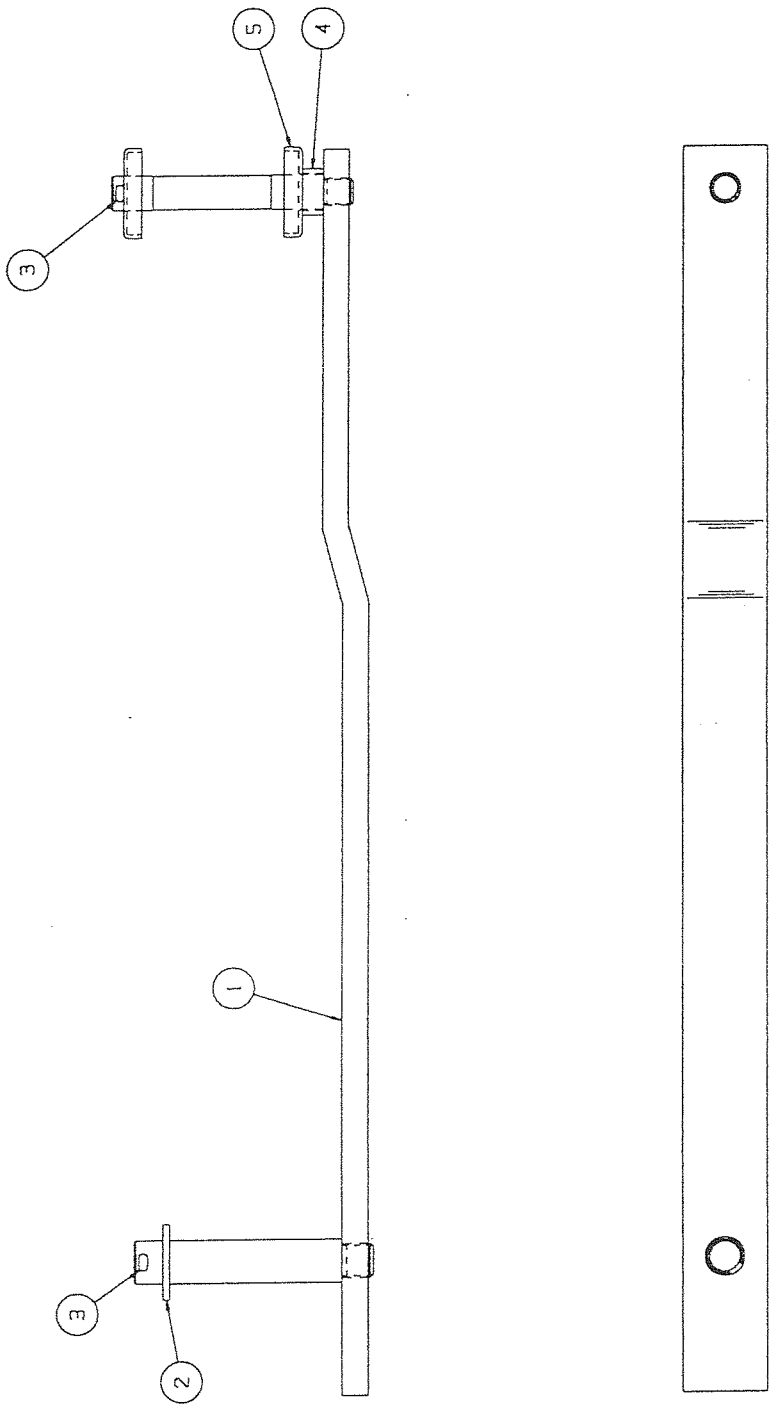


*: -SEE OTHER PAGES FOR PARTS

CHASSIS - SLED MOUNTED
 ASSEMBLY: -7703872 (ALL ITEMS)

1	7703873	120 REAR WHEEL ARM	1
2	2311094	FLAT WASHER-FORM A	1
3	2215613	SPLIT PIN	2
4	6903599	WHEEL SPACER-12	1
5	5700391	DUST CAP	2

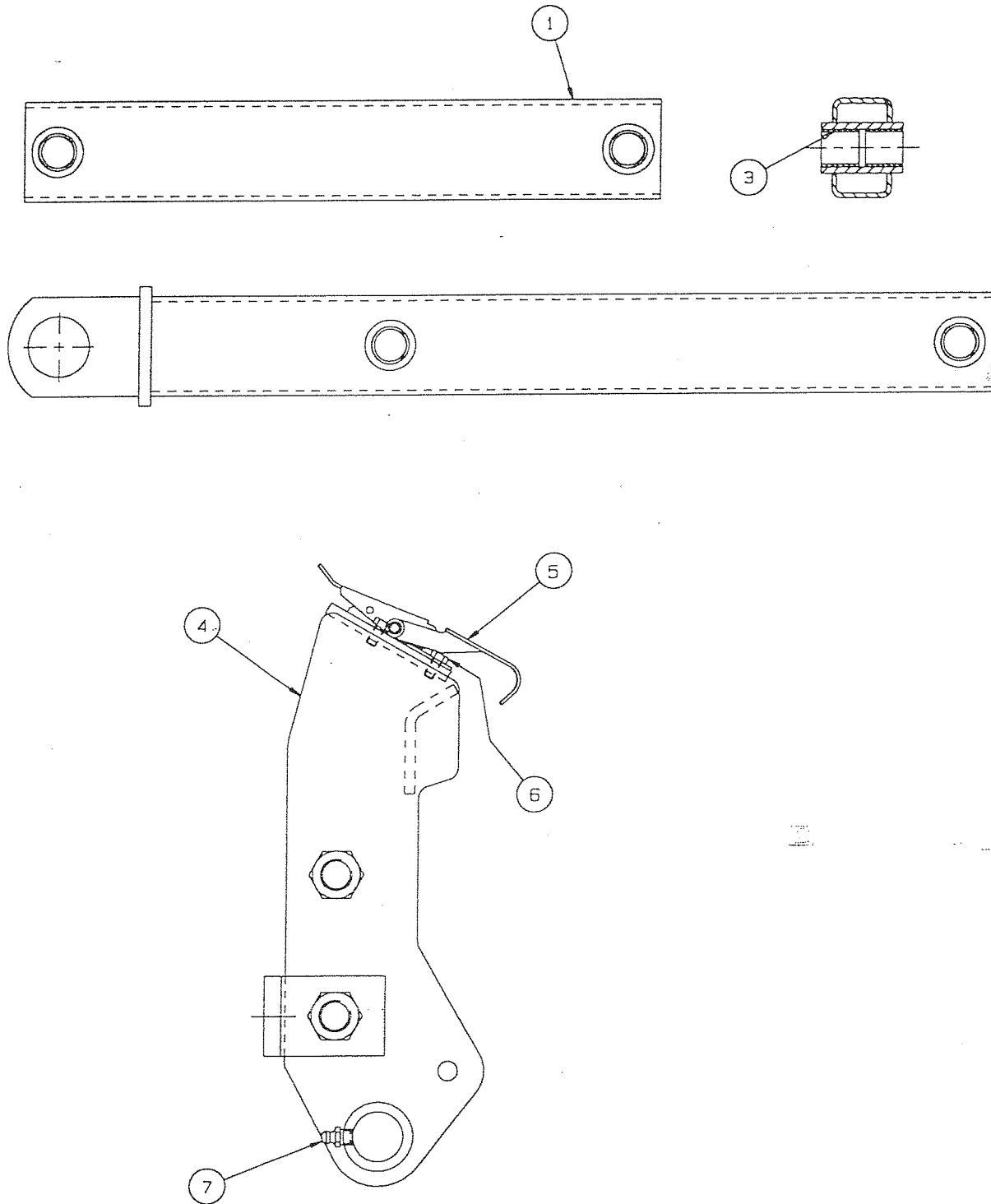
*: -INCLUDES ITEMS 2-5



120 REAR WHEEL ARM
FOR USE WITH 7703872

* 1	7703541	PARALLEL LINK-ASSY	1
* 2	7703836	PARA.LINK-EXTEN.-ASSY	1
3	2001002	OILITE BEARING	4
4	7403883	DEPTH ADJUST.BRKT-WA	1
5	6903246	TOGGLE CLIP	1
6	2309021	HEXAGON SCREW	2
7	6401006	STRAIGHT GREASER	1

*: -INCLUDES ITEM 3



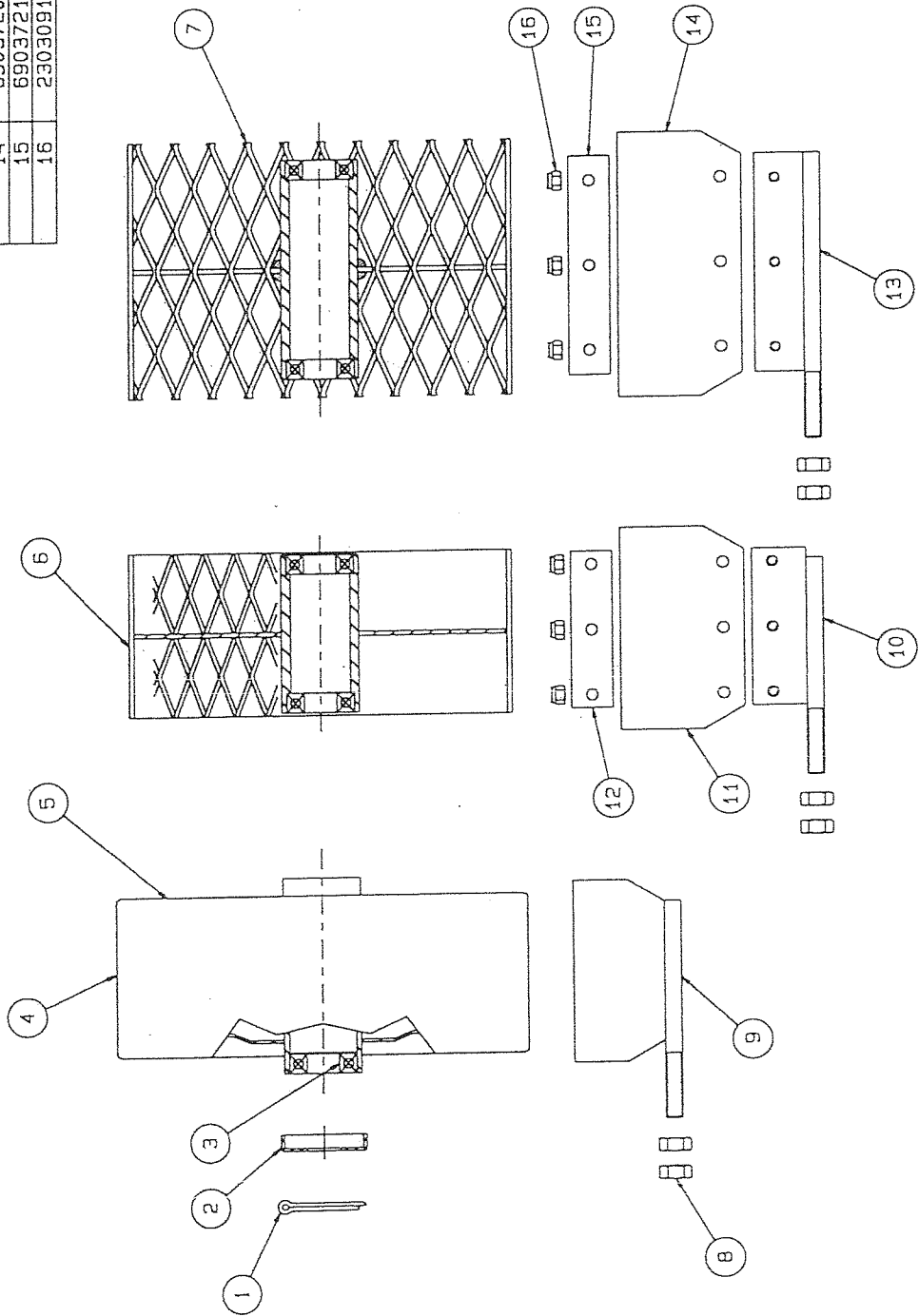
CHASSIS COMPONENTS

7703704 DEPTH ADJUSTMENT BRACKET (ITEMS 4-7)

KITS: -

- 8003566 ZERO PRESSURE WHEEL (ITEMS 1, 2, 5)
- 8003488 100 CAGE WHEEL (ITEMS 1, 2, 6)
- 8003541 160 CAGE WHEEL (ITEMS 1, 2, 7)
- 8003469 ZP WHEEL SCRAPER (ITEMS 8, 9)
- 8003470 120 WHEEL SCRAPER (ITEMS 8, 10, 11, 12, 16)
- 8003542 160 WHEEL SCRAPER (ITEMS 8, 13, 14, 15, 16)

1	2215613	SPLIT PIN	1
2	5700391	DUST CAP	2
3	1901049	BALL BEARING	2
4	5700397	ZERO PRESSURE TYRE	1
5	5700390	ZP WHEEL -COMP ASSY	1
6	7703728	100C WHEEL-COMP ASSY	1
7	7703846	160C WHEEL-COMP ASSY	1
8	2303008	HEXAGON NUT	2
9	7403961	ZP WHEEL SCRAPER-WA	1
10	7403893	120 SCRAPER PLATE-WA	1
11	6903541	120 SCRAPER BLADE	1
12	6903542	120 SCRAPER CLAMP	1
13	7404091	160 SCRAPER PLATE-WA	1
14	6903720	160 SCRAPER BLADE	1
15	6903721	160 SCRAPER CLAMP	1
16	2303091	NYLOC NUT-FULL	AS REQ.



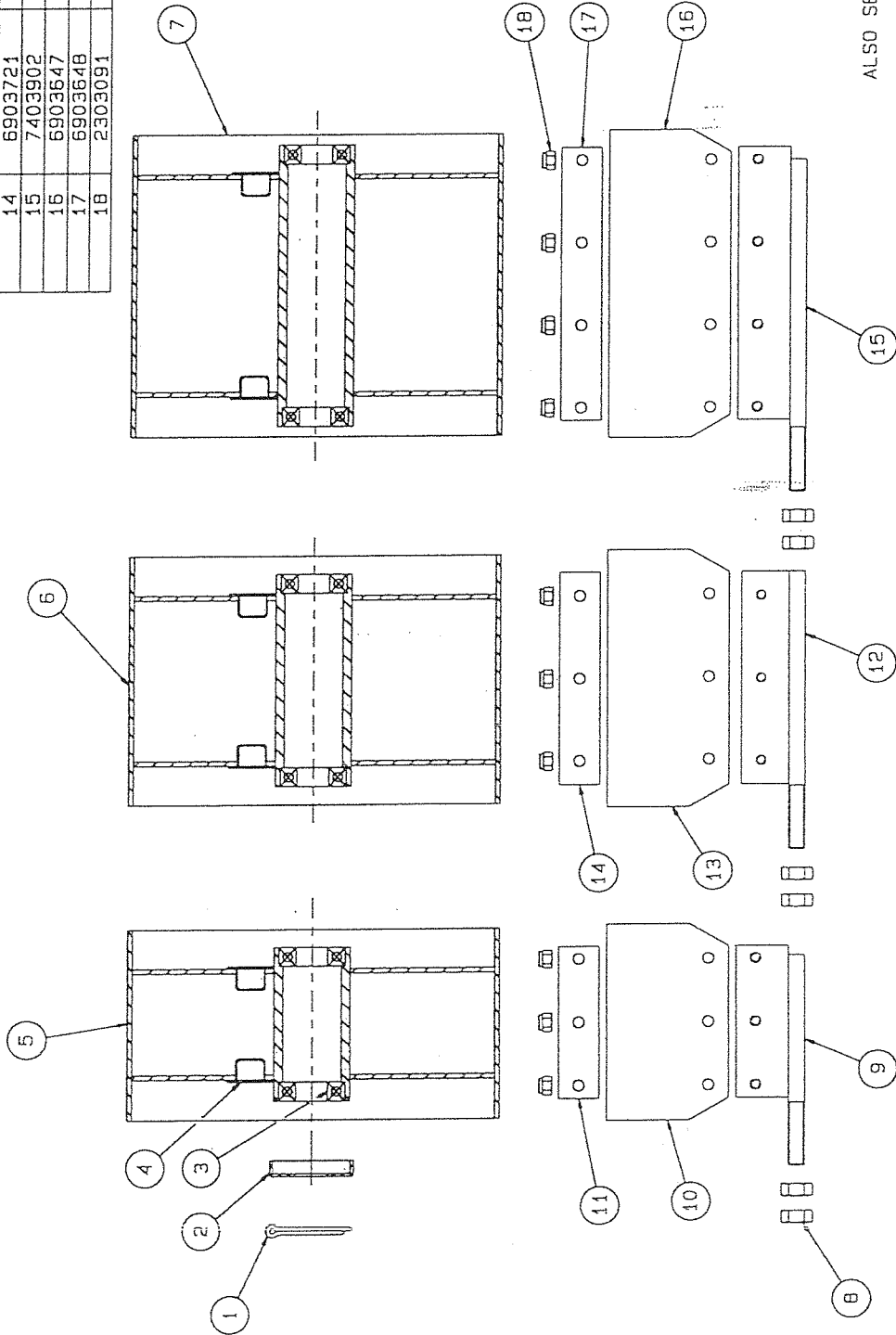
ALSO SEE NEXT PAGE

ROW UNIT WHEELS & SCRAPERS

KITS: -

- 8003467 120 STAINLESS WHEEL (ITEMS 1, 2, 5)
- 8003540 160 STAINLESS WHEEL (ITEMS 1, 2, 6)
- 8003468 200 STAINLESS WHEEL (ITEMS 1, 2, 7)
- 8003470 120 WHEEL SCRAPER (ITEMS 8, 9, 10, 11, 18)
- 8003542 160 WHEEL SCRAPER (ITEMS 8, 12, 13, 14, 18)
- 8003471 200 WHEEL SCRAPER (ITEMS 8, 15, 16, 17, 18)

1	2215613	SPLIT PIN	1
2	5700391	DUST CAP	2
3	1901049	BALL BEARING	2
4	2830001	RUBBER BUNG	2
5	7703705	120S WHEEL-COMP ASSY	1
6	7703845	160S WHEEL-COMP ASSY	1
7	7703718	200S WHEEL-COMP ASSY	1
8	2303008	HEXAGON NUT	2
9	7403893	120 SCRAPER PLATE	1
10	6903541	120 SCRAPER BLADE	1
11	6903542	120 SCRAPER CLAMP	1
12	7404091	160 SCRAPER PLATE	1
13	6903720	160 SCRAPER BLADE	1
14	6903721	160 SCRAPER CLAMP	1
15	7403902	200 SCRAPER PLATE	1
16	6903647	200 SCRAPER BLADE	1
17	6903648	200 SCRAPER CLAMP	1
18	2303091	NYLOC NUT-FULL	AS REQ.

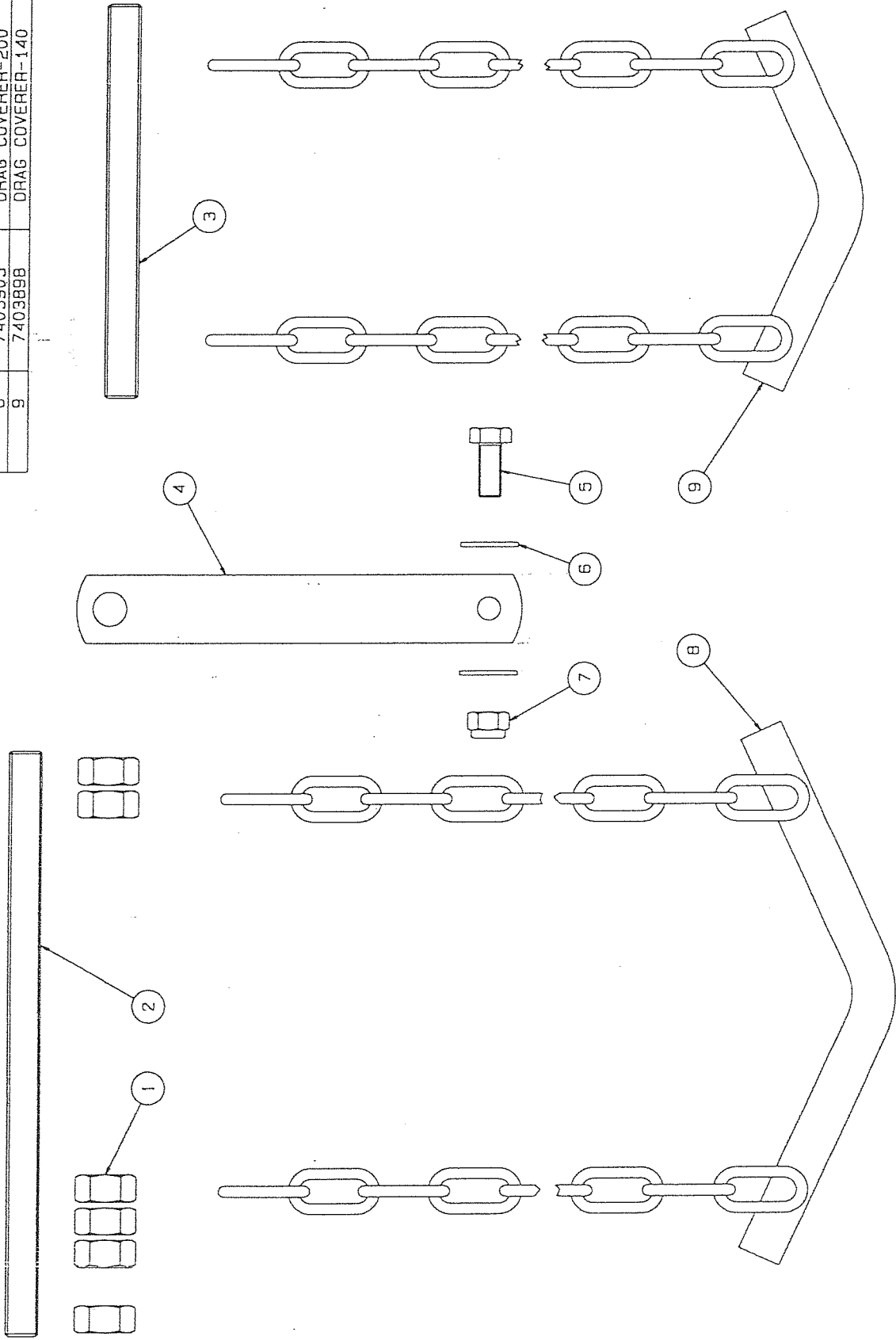


ALSO SEE PREVIOUS PAGE

ROW UNIT WHEELS & SCRAPERS

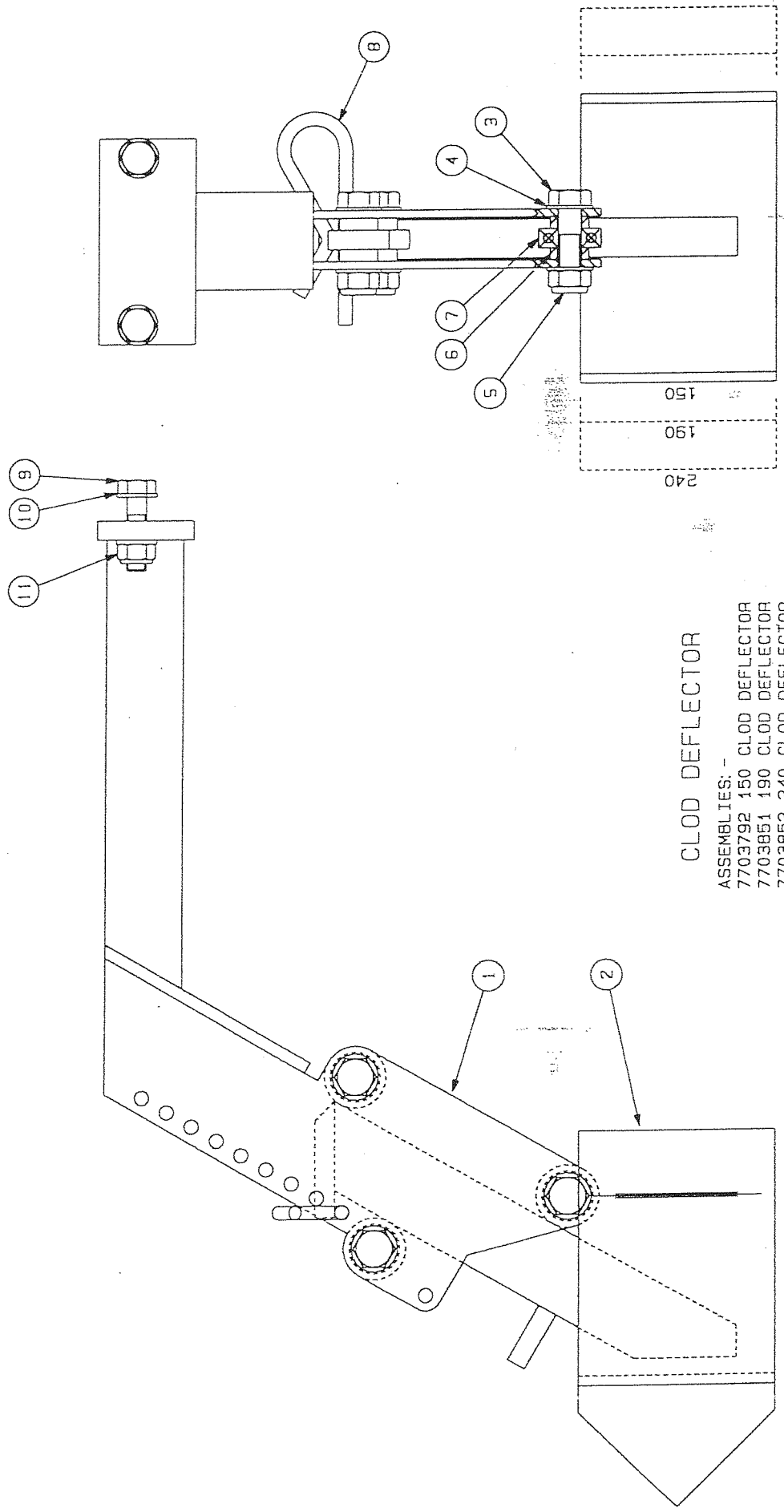
KITS: -
 8003480 140 DRAG COVERER (ITEMS 1, 3, 4-7, 9)
 8003481 200 DRAG COVERER (ITEMS 1, 2, 4-8)

1	2303009	HEXAGON NUT	6
2	6903608	COVERER STUD-215	1
3	6903607	COVERER STUD-145	1
4	6903606	COVERER PLATE	2
5	2309047	HEXAGON SCREW	2
6	2311134	FLAT WASHER-FORM C	4
7	2303092	MB NYLOC NUT-FULL	2
8	7403903	DRAG COVERER-200	1
9	7403898	DRAG COVERER-140	1



DRAG COVERERS

1	7403995	CLOD DEF. TRACK-WA	1
2	7403996	150 CLOD DEF.-WA	1
	7404094	190 CLOD DEF.-WA	1
	7404095	240 CLOD DEF.-WA	1
3	2306097	HEXAGON BOLT	3
4	2311113	FLAT WASHER-FORM B	6
5	2303110	NYLOC NUT-THIN	3
6	5902885	BEARING SPACER	6
7	1901101	BALL BEARING	3
8	2705010	LOCKING CLIP	1
9	2306066	HEXAGON BOLT	2
10	2311090	FLAT WASHER-FORM A	4
11	2303109	NYLOC NUT-THIN	2



CLOD DEFLECTOR
ASSEMBLIES: -
7703792 150 CLOD DEFLECTOR
7703851 190 CLOD DEFLECTOR
7703852 240 CLOD DEFLECTOR

1	7403687	CAT 2 HEADSTOCK-WA	1
2	7703500	BOTTOM BRG HOUS'G-AS	1
3	7403441	BELT TENSIONER-WA	1
4	2309084	HEXAGON SCREW	2
5	2303009	HEXAGON NUT	10
6	2311091	FLAT WASHER-FORM A	7
7	2311217	SPRING WASHER	4
8	2306515	COACH BOLT	2
9	2311114	FLAT WASHER-FORM B	2
10	6903049	PTO SHAFT BRG SPACER	1
11	7703545	PTO SHAFT/PULL-ASSY	1
12	2303079	SLOTTED NUT	1
13	2311094	FLAT WASHER-FORM A	1
14	2215613	SPLIT PIN	1
15	7703499	TOP BRG HOUS'G-ASSY	1
16	6903048	IMP SHAFT SPACER	1
17	7703544	IMP SHAFT-ASSY 17R	1
18	2309061	HEXAGON SCREW	4
19	2311112	FLAT WASHER-FORM B	4
20	6413057	IMP./DRIVE SHAFT KEY	1
21	4801008	FAN	1
22	2303078	SLOTTED NUT	1
23	2311093	FLAT WASHER-FORM A	1
24	2215587	SPLIT PIN	1
25	2309047	HEXAGON SCREW	8
26	2311089	FLAT WASHER-FORM A	10
27	7403688	AIR MANIFOLD-WA	1
28	2303091	NYLOC NUT-FULL	10
29	2311088	FLAT WASHER-FORM A	10
30	1323005	17 RIB POLY-V BELT	1
31	7403944	DR.C/PLATE-780/650	1
32	6903491	PTO GUARD SHIELD	1
33	2390083	ROOFING BOLT	2
34	6902526	VACUUM BAFFLE GUIDE	1
35	7403439	VAC.BAFFLE PLATE-WA	1
36	7403438	PRESSURE OUTLET-WA	1
37	7403440	PRESSURE ADJUSTER-WA	1
38	2303092	NYLOC NUT-FULL	5
39	6404026	HANDWHEEL 302	2
40	4107124	FIRTREE HOSE CONNECTOR	2
41	6402007	PLASTIC PLUG 1020	8
42	6402041	PLASTIC PLUG 10154	8
43	6406307	LABEL-540 RPM MAX	1
44	6406325	LABEL-STANHAY LOGO	1
45	6406328	LABEL-FORM SW101	1
46	2314754	LINCH PIN	3
47	2314810	CAT.1/2 LOWER LINK PIN	2
48	2314811	CAT.1/2 TOP LINK CONV.	1
49	6903705	PRESS.FEED HOSE-900L	1
50	2316012	PRESS FEED HOSE CLIP	2

*: -SEE OTHER PAGES FOR PARTS DETAILS

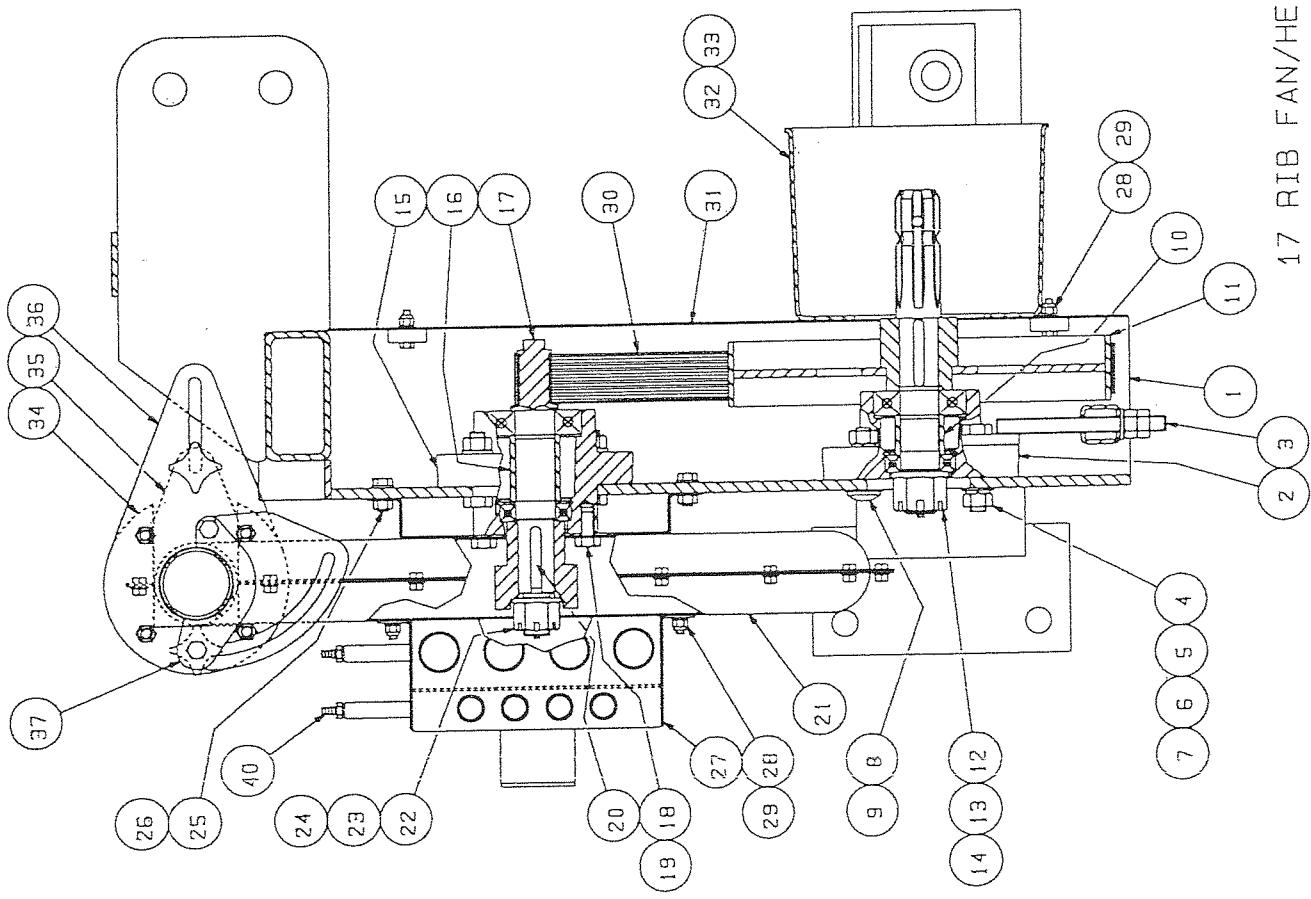
33 41 42 43 44 45 49 50

NOT ILLUSTRATED

17 RIB FAN/HEADSTOCK - 8 PORTS

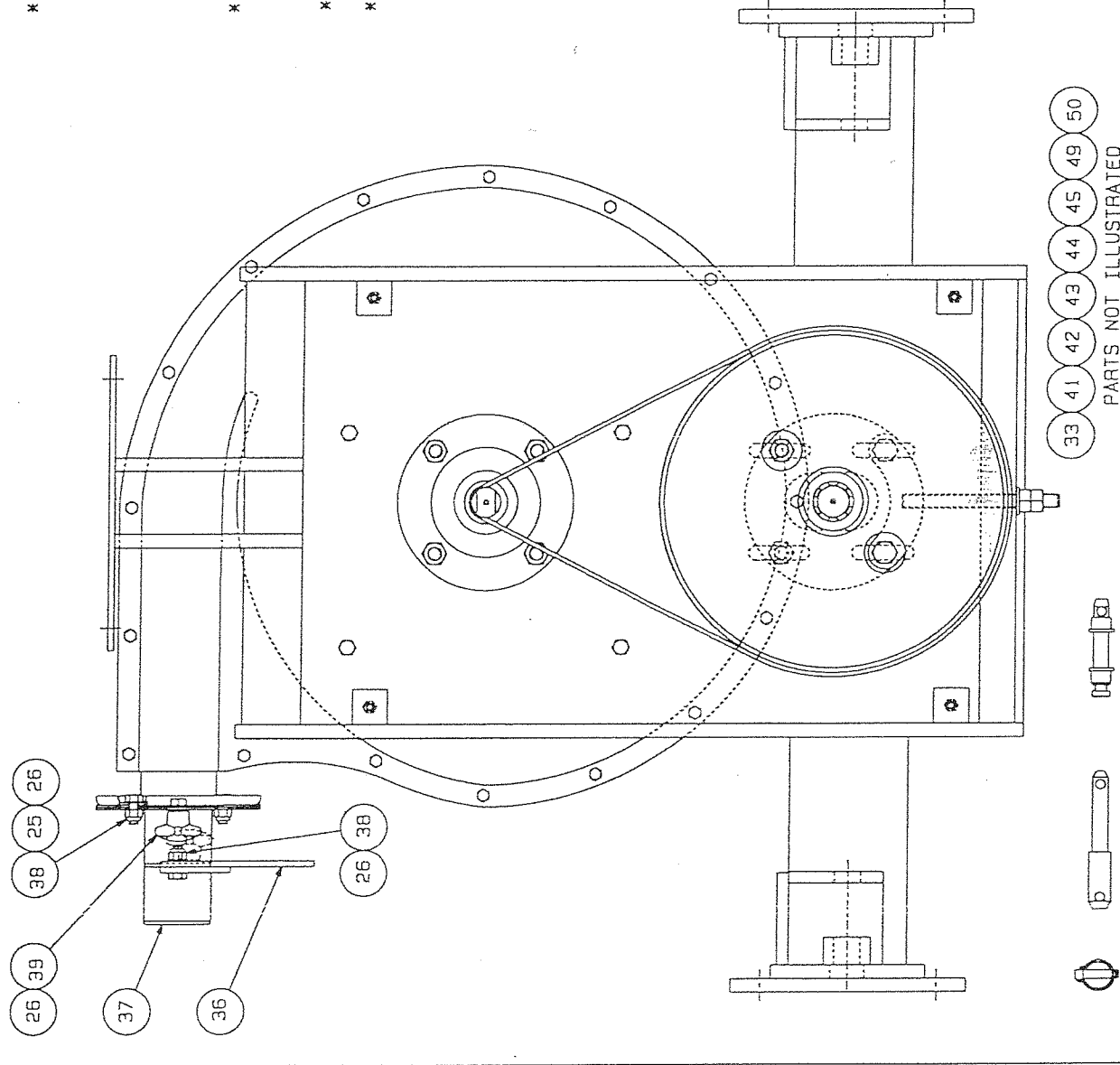
ASSEMBLY: -7703546 (ALL ITEMS)

ALSO SEE NEXT PAGE



1	7403687	CAT 2 HEADSTOCK-WA	1
2	7703500	BOTTOM BRG HOUS' G-AS	1
3	7403441	BELT TENSIONER-WA	1
4	2309084	HEXAGON SCREW	2
5	2303009	HEXAGON NUT	10
6	2311091	FLAT WASHER-FORM A	7
7	2311217	SPRING WASHER	4
8	2305515	COACH BOLT	2
9	2311114	FLAT WASHER-FORM B	2
10	6903049	PTO SHAFT BRG SPACER	1
11	7703545	PTO SHAFT/PULL ASSY	1
12	2303079	SLOTTED NUT	1
13	2311094	FLAT WASHER-FORM A	1
14	2215613	SPLIT PIN	1
15	7703499	TOP BRG HOUS' G-ASSY	1
16	6903048	IMP SHAFT SPACER	1
17	7703544	IMP SHAFT-ASSY 17R	1
18	2309051	HEXAGON SCREW	4
19	2311112	FLAT WASHER-FORM B	4
20	6413057	IMP./DRIVE SHAFT KEY	1
21	4801008	FAN	1
22	2303078	SLOTTED NUT	1
23	2311093	FLAT WASHER-FORM A	1
24	2215587	SPLIT PIN	1
25	2309047	HEXAGON SCREW	8
26	2311089	FLAT WASHER-FORM A	10
27	7403688	AIR MANIFOLD-WA	1
28	2303091	NYLOC NUT-FULL	10
29	2311088	FLAT WASHER-FORM A	10
30	1323005	17 RIB POLY-V BELT	1
31	7403944	DR.C/PLATE-780/650	1
32	6903491	PTO GUARD SHIELD	1
33	2390083	ROOFING BOLT	2
34	6902526	VACUUM BAFFLE GUIDE	1
35	7403439	VAC.BAFFLE PLATE-WA	1
36	7403438	PRESSURE OUTLET-WA	1
37	7403440	PRESSURE ADJUSTER-WA	1
38	2303092	NYLOC NUT-FULL	5
39	6404026	HANDWHEEL 302	2
40	4107124	FIRTREE HOSE CONNECTOR	2
41	6402007	PLASTIC PLUG 1020	8
42	6402041	PLASTIC PLUG 10154	8
43	6406307	LABEL-540 RPM MAX	1
44	6406325	LABEL-STANHAY LOGO	1
45	6406328	LABEL-FORM SW101	1
46	2314754	LINCH PIN	3
47	2314810	CAT.1/2 LOWER LINK PIN	2
48	2314811	CAT.1/2 TOP LINK CONV.	1
49	6903705	PESSURE FEED HOSE-900L	1
50	2316012	PRESS.FEED HOSE CLIP	2

*: -SEE OTHER PAGES FOR PARTS DETAILS



17 RIB FAN/HEADSTOCK - 8 PORTS

ASSEMBLY: -7703546 (ALL ITEMS)
ALSO SEE PREVIOUS PAGE

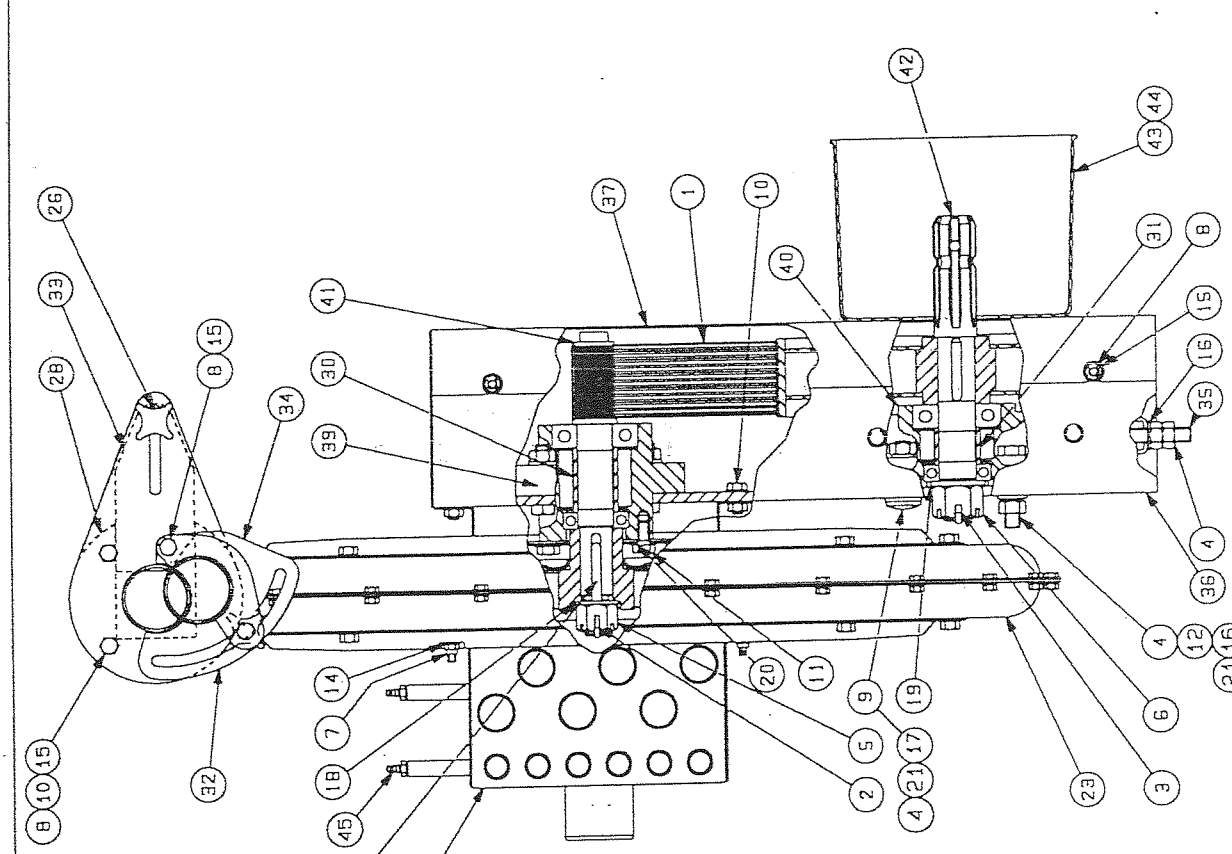
- 33
- 41
- 42
- 43
- 44
- 45
- 49
- 50

PARTS NOT ILLUSTRATED

- 46
- 47
- 48

1	1323003	26 RIB POLY-V BELT	1
	1323004	26 RIB POLY-V BELT	1
2	2215587	SPLIT PIN	1
3	2215613	SPLIT PIN	1
4	2303009	HEXAGON NUT	10
5	2303078	SLOTTED NUT	1
6	2303079	SLOTTED NUT	1
7	2303091	NYLOC NUT-FULL	6
8	2303092	NYLOC NUT-FULL	9
9	2306515	COACH BOLT	2
10	2309047	HEXAGON SCREW	8
11	2309061	HEXAGON SCREW	4
12	2309084	HEXAGON SCREW	2
13	2309094	HEXAGON SCREW	4
14	2311088	FLAT WASHER-FORM A	6
15	2311089	FLAT WASHER-FORM A	15
16	1211091	FLAT WASHER-FORM A	7
17	2311092	FLAT WASHER-FORM A	6
18	2311093	FLAT WASHER-FORM A	1
19	2311094	FLAT WASHER-FORM A	1
20	2311112	FLAT WASHER-FORM B	4
21	2311217	SPRING WASHER	4
22	2316012	HOSE CLIP	2
23	4801007	FAN	1
24	6402007	PLASTIC PLUG 1020 (P)	12
25	6402041	PLASTIC PLUG 10154 (V)	12
26	6404026	HANDWHEEL 302	2
27	6413057	IMP./DRIVE SHAFT KEY	1
28	6902526	VACUUM BAFFLE GUIDE	1
29	6902592	PRESS.FEED HOSE-1200L	1
30	6903048	IMP.SHAFT BRG. SPACER	1
31	6903049	PTO SHAFT BRG. SPACER	1
32	7403438	PRESSURE OUTLET-WA	1
33	7403439	VAC.BAFFLE PLATE-WA	1
34	7403440	PRESSURE ADJUSTER-WA	1
35	7403441	BELT TENSIONER-WA	1
36	7403442	FAN DRIVE CASE-WA	1
37	7403943	DRIVE COVER PLATE-WA	1
38	7403444	12 PORT AIR MANIFOLD	1
	7403628	18 PORT AIR MANIFOLD	1
39	7703293	TOP BRG. HOUS'G-ASSY	1
40	7703294	BOTTOM BRG. HOUS'G-ASSY	1
41	7703294	IMP.SHAFT-26R-540 PTO	1
	7703410	IMP.SHAFT-26R-1000 PTO	1
42	7703296	540 PTO SHAFT/PULLEY	1
	7703394	1000 PTO SHAFT/PULLEY	1
43	6903491	PTO GUARD SHIELD	1
44	2390083	ROOFING BOLT	2
45	4107124	FIRTREE HOSE CONNECTOR	2

**



*: -SEE OTHER PAGES FOR PARTS DETAILS

**:-FOR 540 PTO SPEED

***:-FOR 1000 PTO SPEED

18 PORTS

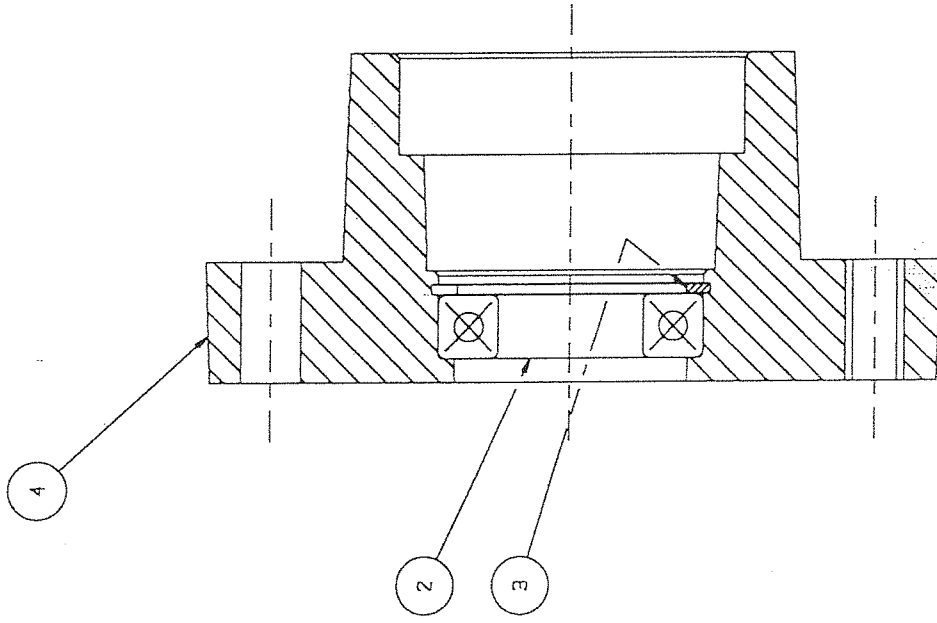
26 RIB FAN - 12 PORTS

- ASSEMBLIES: -
 7703297 (TOOL BAR) (540 PTO SPEED) (ALL ITEMS)
 7703388 (YOKE BAR) (540 PTO SPEED) (ALL ITEMS)
 7703411 (TOOL BAR) (1000 PTO SPEED) (ALL ITEMS)

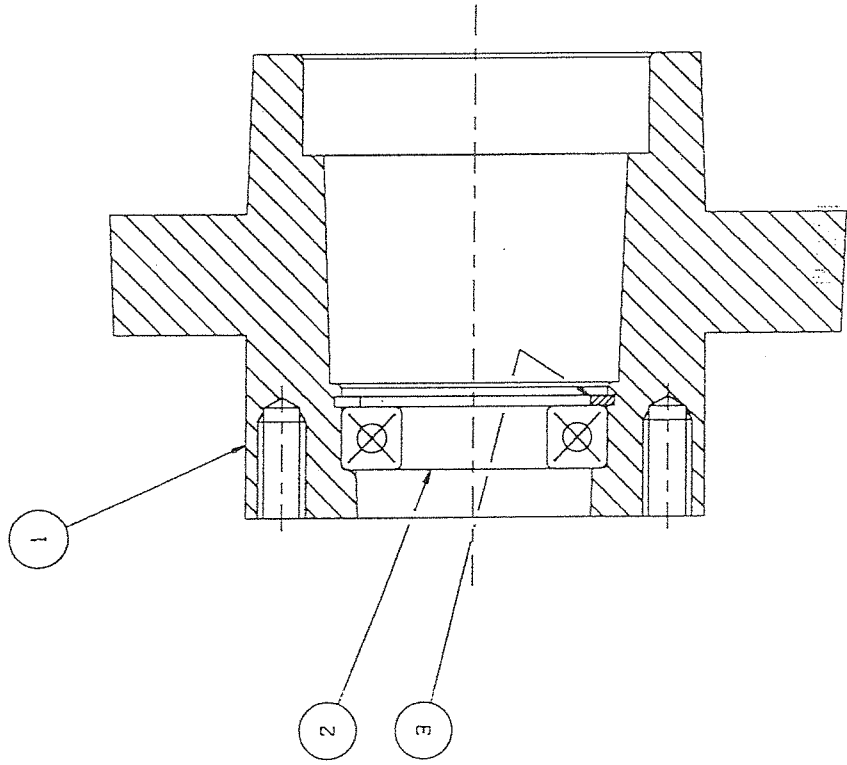
7703474 (YOKE BAR) (540 PTO SPEED) (ALL ITEMS)

(13)(17)(22)(24)(25)(29)(44)
 NOT ILLUSTRATED

1	3000709	IMP. SHAFT HOUSING	1
2	1901051	BALL BEARING	1
3	2217208	INTERNAL CIRCLIP	1
4	3000711	PTO SHAFT HOUSING	1



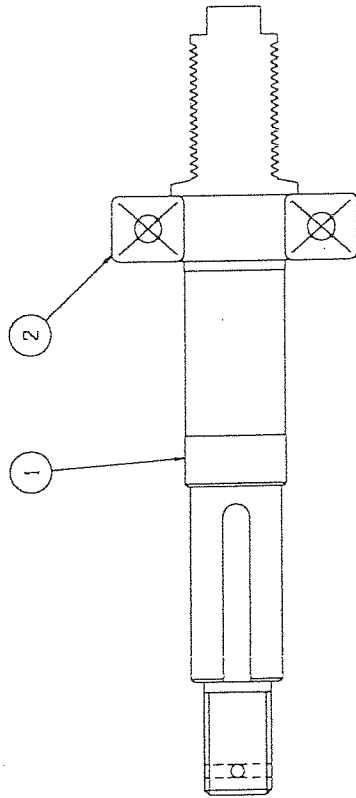
ASSEMBLY: -7703500 BOTTOM BEARING HOUSING



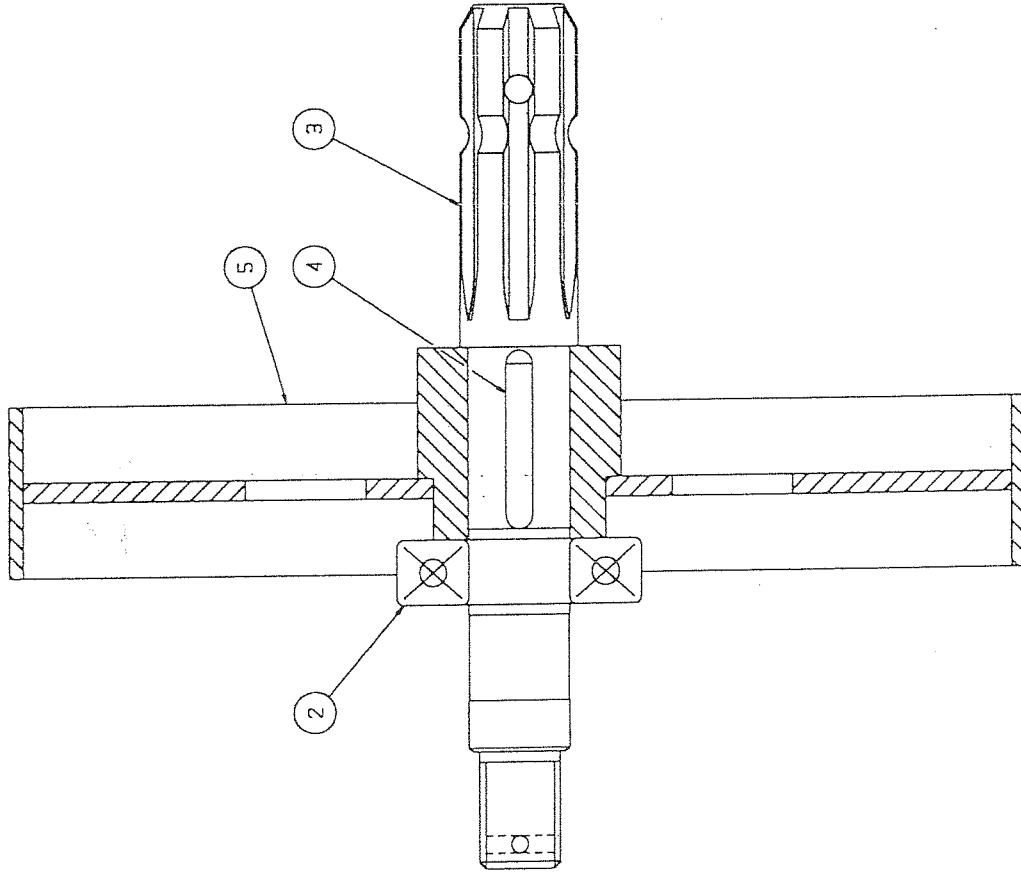
ASSEMBLY: -7703499 TOP BEARING HOUSING

FAN SHAFT HOUSINGS

1	6903303	IMP. SHAFT-17 GROOVES	1
2	1901161	BALL BEARING	1
3	6903046	PTO DRIVE SHAFT	1
4	6413057	IMP./DRIVE SHAFT KEY	1
5	7403689	PTO PULLEY-MA	1



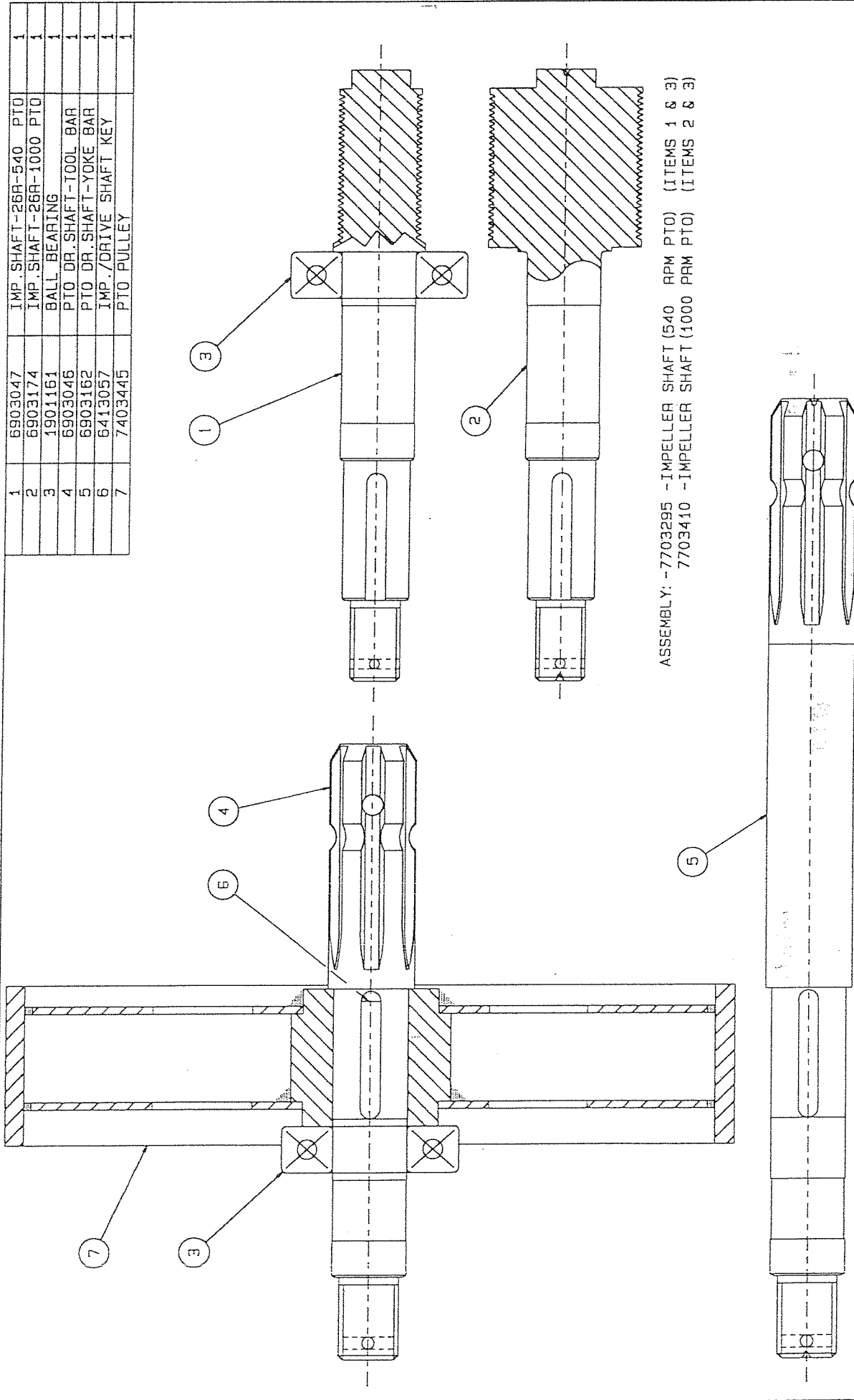
ASSEMBLY: -7703544 IMPELLER SHAFT



ASSEMBLY: -7703545 PTO SHAFT & PULLEY

17 RIB FAN SHAFT ASSEMBLIES

1	6903047	IMP. SHAFT-26R-540	PTO	1
2	6903174	IMP. SHAFT-26R-1000	PTO	1
3	1901161	BALL BEARING		1
4	6903046	PTO DR. SHAFT-TOOL BAR		1
5	6903162	PTO DR. SHAFT-YOKE BAR		1
6	6413057	IMP./DRIVE SHAFT KEY		1
7	7403445	PTO PULLEY		1



ASSEMBLY: -7703295 -IMPELLER SHAFT (540 RPM PTO) (ITEMS 1 & 3)
 7703410 -IMPELLER SHAFT (1000 PRM PTO) (ITEMS 2 & 3)

ASSEMBLY: -7703296 -PTO SHAFT & PULLEY (TOOL BAR) (ITEMS 3, 4, 6, 7)
 7703394 -PTO SHAFT & PULLEY (YOKE BAR) (ITEMS 3, 5, 6, 7)
 NOTE-FOR HYDRAULIC DRIVE ON YOKE BAR, USE 7703296.

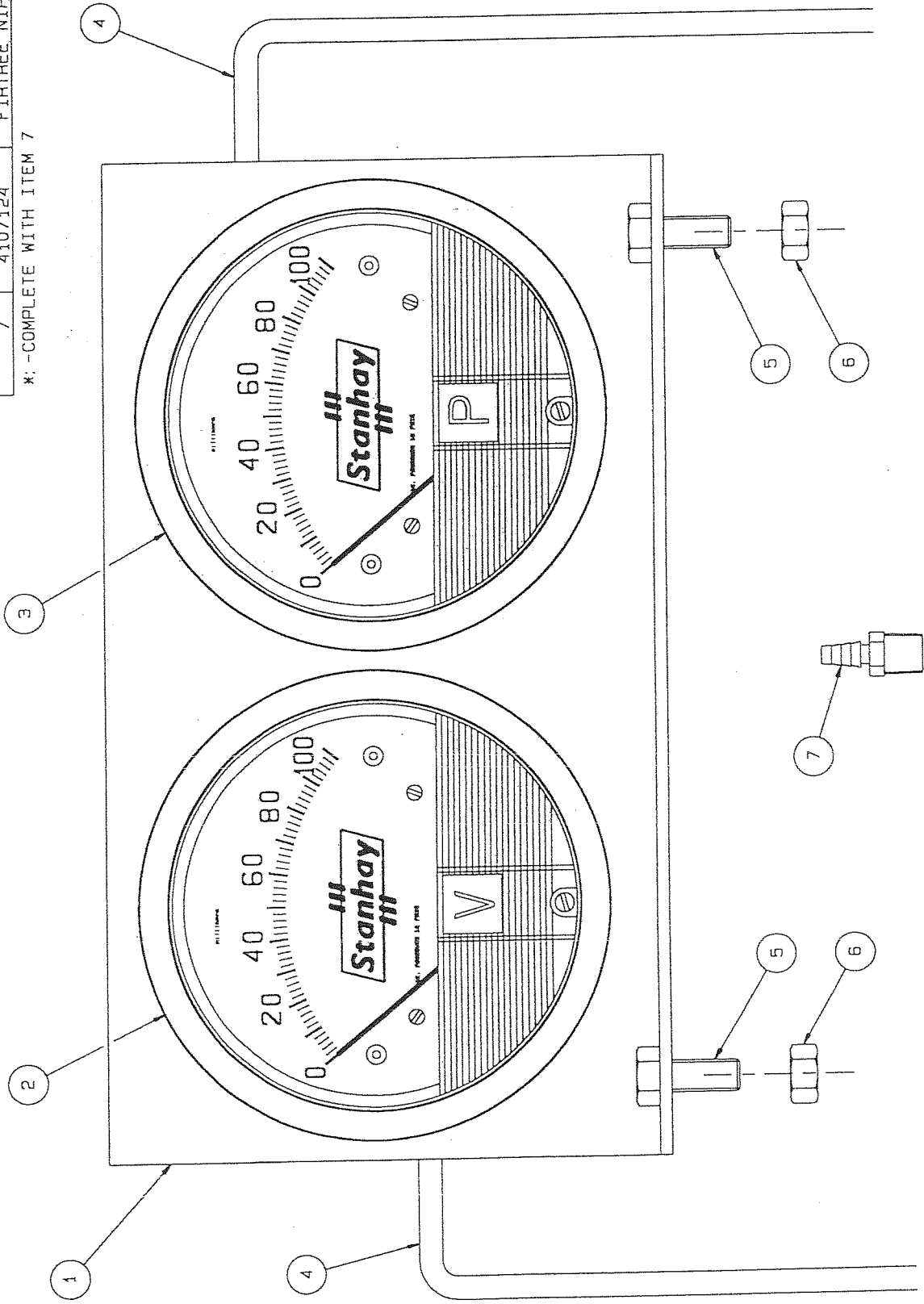
26 RIB FAN SHAFT ASSEMBLIES

KIT: -

8003157 VACUUM & PRESSURE GAUGE KIT (ITEMS 1-6)

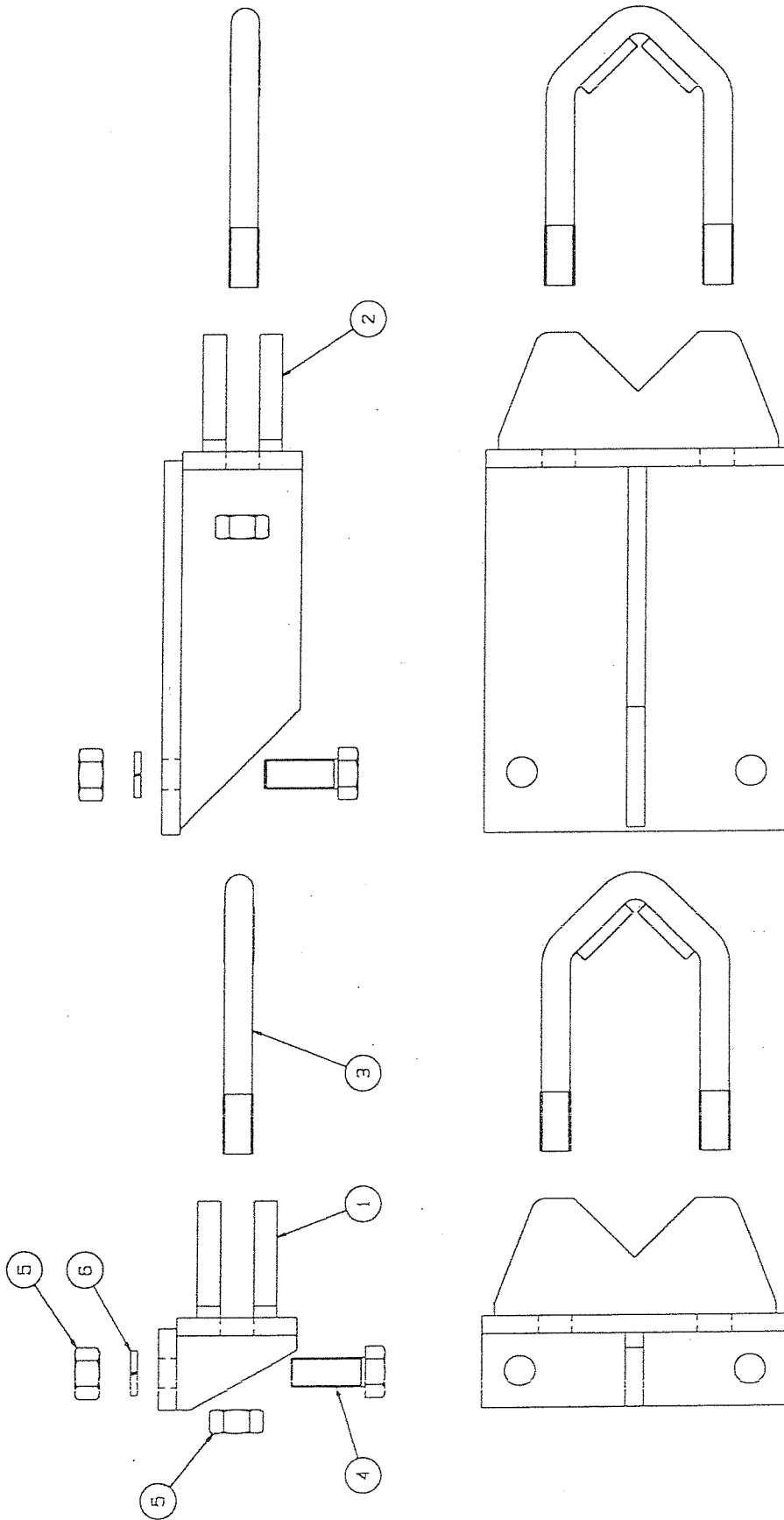
1	6903204	GAUGE BRACKET	1
2	7703479	VACUUM GAUGE	1
3	7703480	PRESSURE GAUGE	1
4	4300027	GAUGE PIPE	PER MET.
5	2309047	HEXAGON SCREW	2
6	2303007	HEXAGON NUT	2
7	4107124	FIRTREE NIPPLE	AS REQ.

*: -COMPLETE WITH ITEM 7



VACUUM & PRESSURE GAUGES

1	7403028	EXT. 1" BAR BRACKET-WA	1
2	7403032	HEADSTOCK BRACKET-WA	1
3	7403029	HEADSTOCK U-BOLT-WA	1
4	2309108	HEXAGON SCREW	2
5	2303011	HEXAGON NUT	4
6	2311219	SPRING WASHER	2

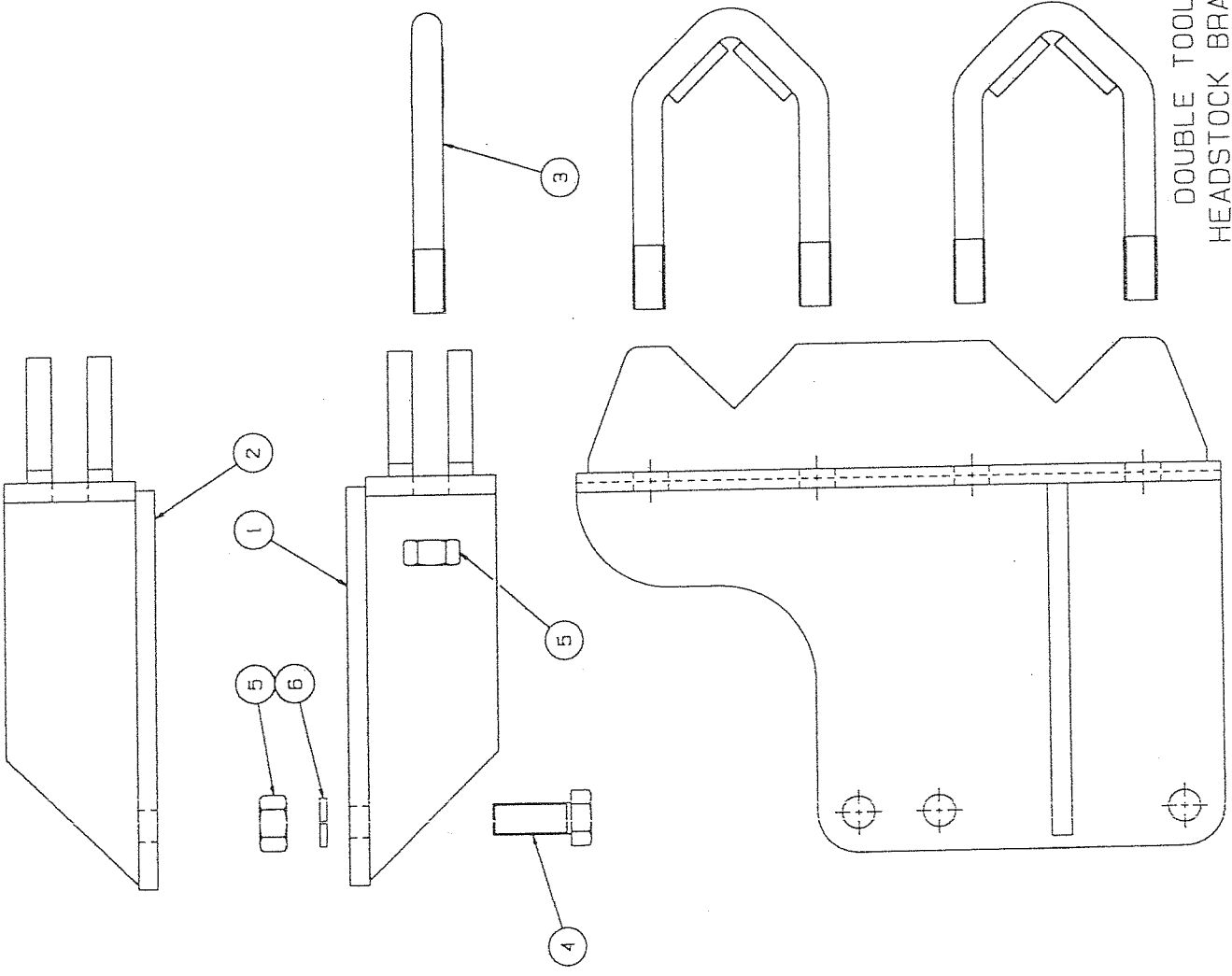


STANDARD
KIT: -8002825 (ITEMS 1, 3-6)
PAIR OF BRACKETS

OPTIONAL
KIT: -8002677 (ITEMS 3-6)
PAIR OF BRACKETS

SINGLE TOOLBAR
HEADSTOCK BRACKETS

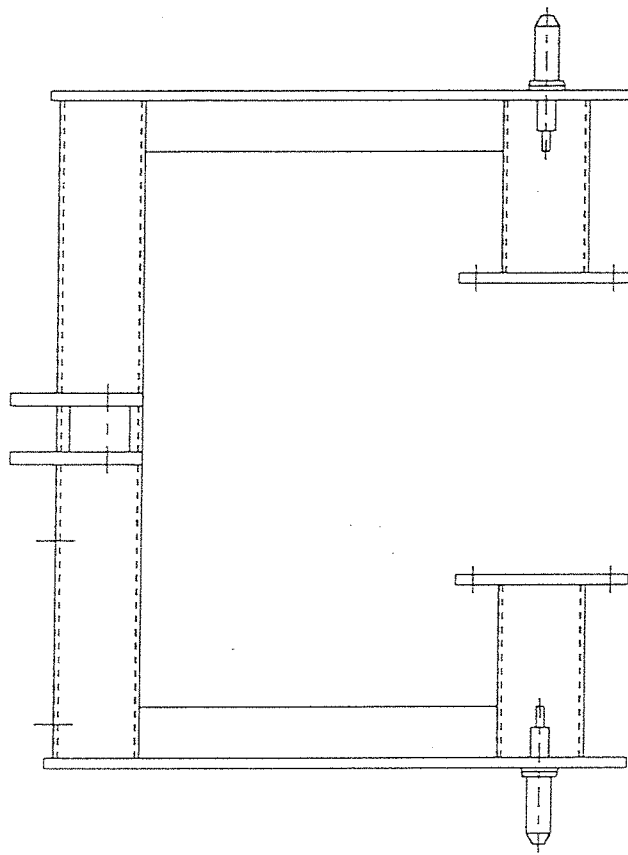
1	7403547	H'STOCK BRKT DOUBLE LH	1
2	7403548	H'STOCK BRKT DOUBLE RH	1
3	7403029	HEADSTOCK U-BOLT-WA	4
4	2309108	HEXAGON SCREW	6
5	2303011	HEXAGON NUT	14
6	2311219	SPRING WASHER	6



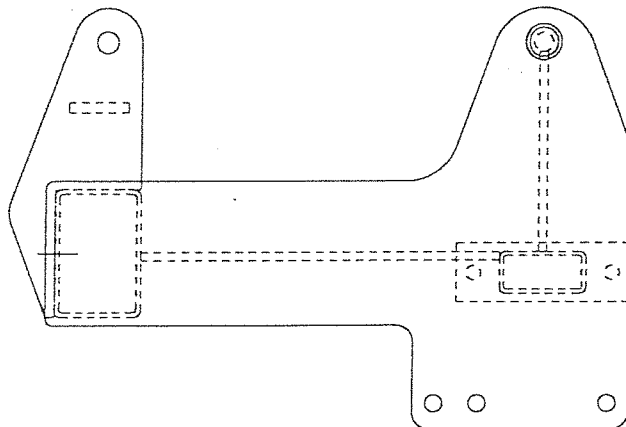
DOUBLE TOOLBAR
HEADSTOCK BRACKETS

KITS: -

- B003142 PAIR OF DOUBLE BRACKETS (ITEMS 1-6)
- B003176 TWO LEFT HAND BRACKETS (ITEMS 1, 3-6)
- B003177 TWO RIGHT HAND BRACKETS (ITEMS 2-6)

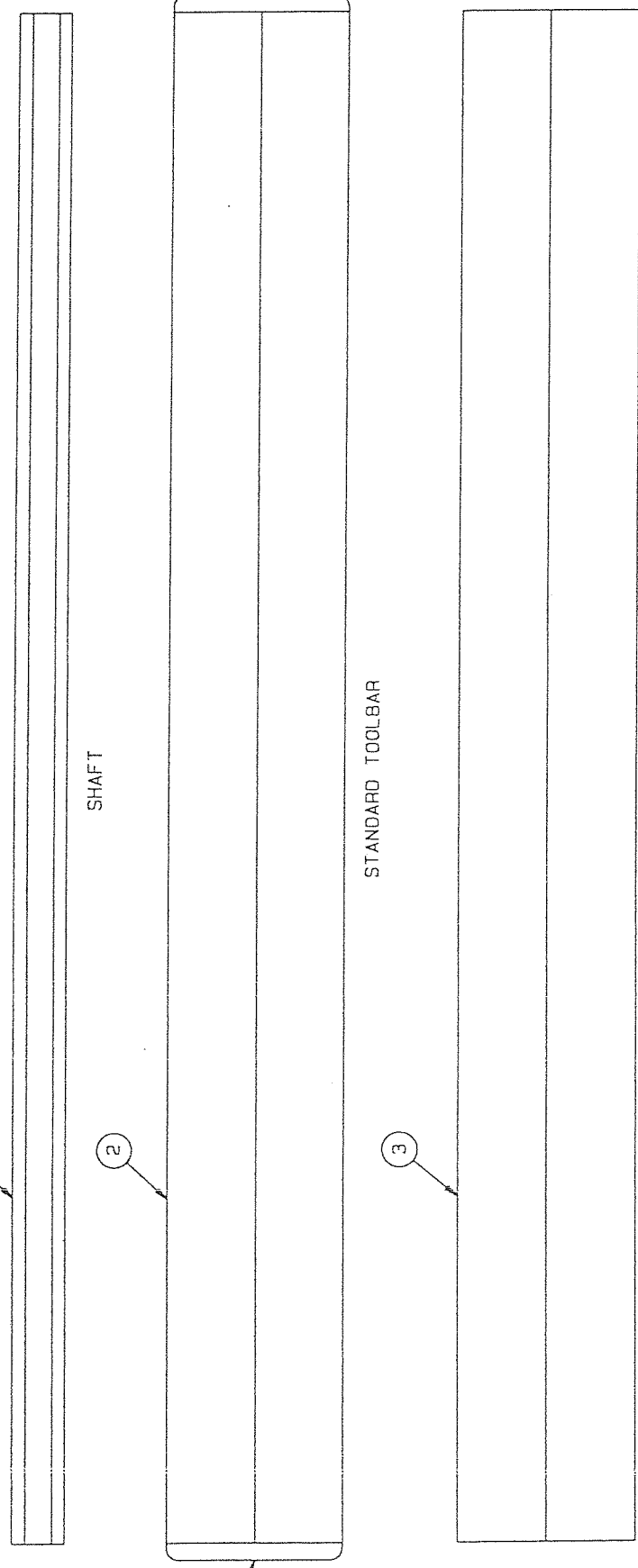
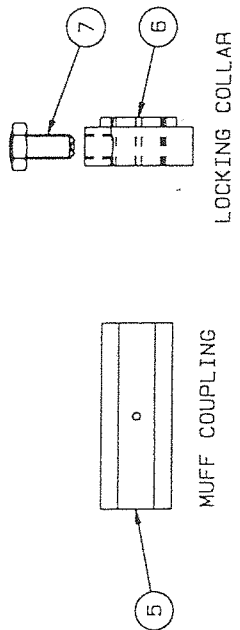


HEADSTOCK
7403446



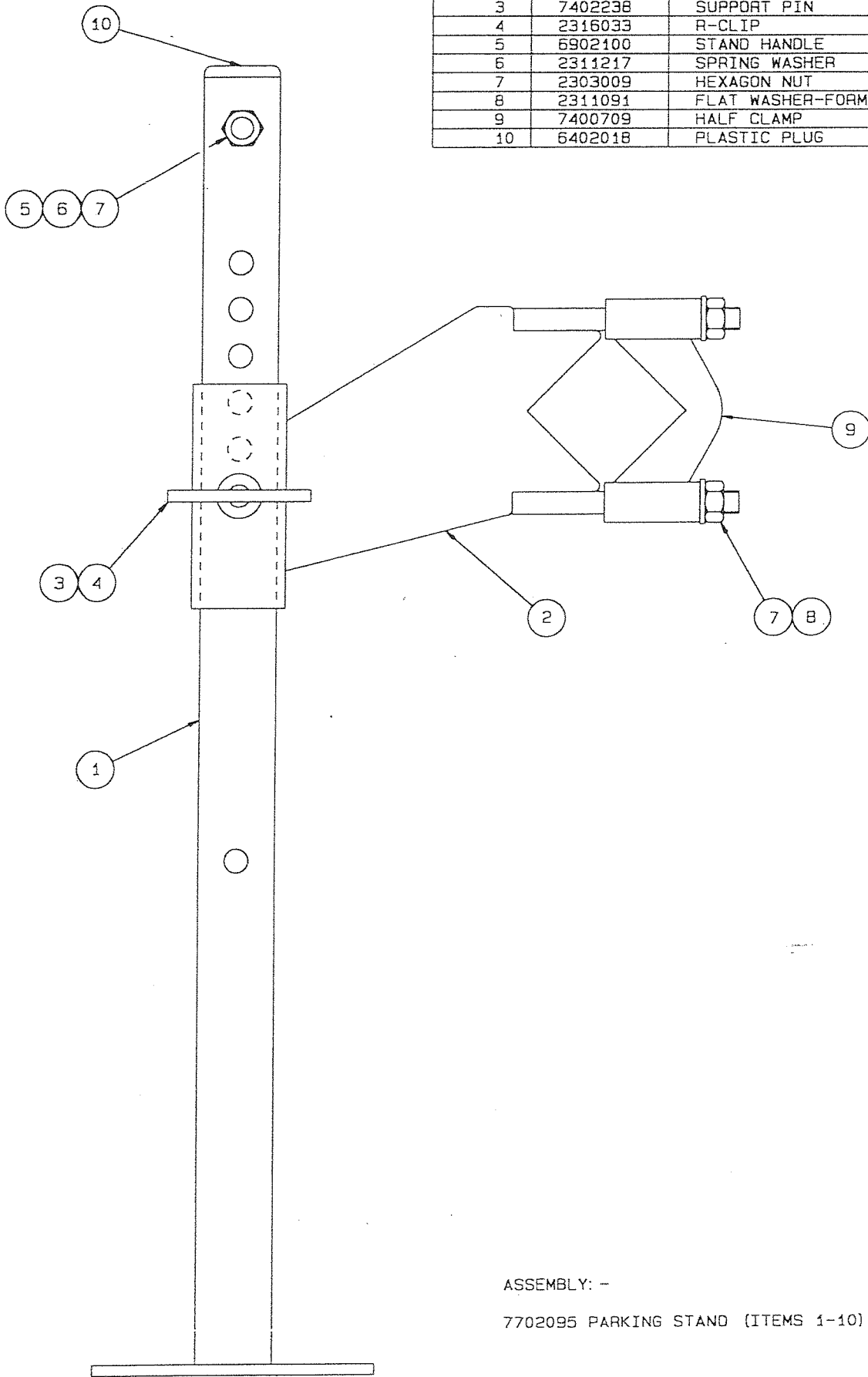
1	6903439	1.30M SHAFT	7702192	1.50M TOOLBAR	3	6902984	1.50M HD TOOLBAR
	6903262	1.40M SHAFT	7702668	2.00M TOOLBAR		6902986	1.80M HD TOOLBAR
	6902102	1.50M SHAFT	7702982	2.50M TOOLBAR		6902987	2.00M HD TOOLBAR
	6903263	1.60M SHAFT	7703412	3.00M TOOLBAR		6902988	2.15M HD TOOLBAR
	6902374	1.72M SHAFT	7703093	3.50M TOOLBAR		6902990	2.50M HD TOOLBAR
	6902321	1.80M SHAFT	7703413	4.00M TOOLBAR		6902993	3.00M HD TOOLBAR
	6902469	2.00M SHAFT	7701116	4.30M TOOLBAR		6902995	3.50M HD TOOLBAR
	6902322	2.15M SHAFT	7703414	4.50M TOOLBAR		6902997	4.00M HD TOOLBAR
	6902357	2.50M SHAFT	7703415	5.00M TOOLBAR		6902999	4.50M HD TOOLBAR
	6902251	2.75M SHAFT	7703416	5.50M TOOLBAR		6903001	5.00M HD TOOLBAR
	6902920	3.00M SHAFT	7703417	6.00M TOOLBAR		6903003	5.50M HD TOOLBAR
	6902982	3.50M SHAFT	6402015	PLASTIC PLUG		6903154	6.00M HD TOOLBAR
	7000070	3.75M SHAFT					
	6902921	4.00M SHAFT					
	6902252	4.50M SHAFT					

5	7700089	MUFF COUPLING
6	7703757	LOCKING COLLAR+ITEM 7
7	7403965	LOCKING SCREW



HEAVY DUTY TOOLBAR
TOOLBARS & SHAFTS

1	7402141	PARKING STAND	1
2	7402247	PARK STAND BRACKET	1
3	7402238	SUPPORT PIN	1
4	2316033	R-CLIP	1
5	6902100	STAND HANDLE	1
6	2311217	SPRING WASHER	1
7	2303009	HEXAGON NUT	4
8	2311091	FLAT WASHER-FORM A	2
9	7400709	HALF CLAMP	1
10	6402018	PLASTIC PLUG	1

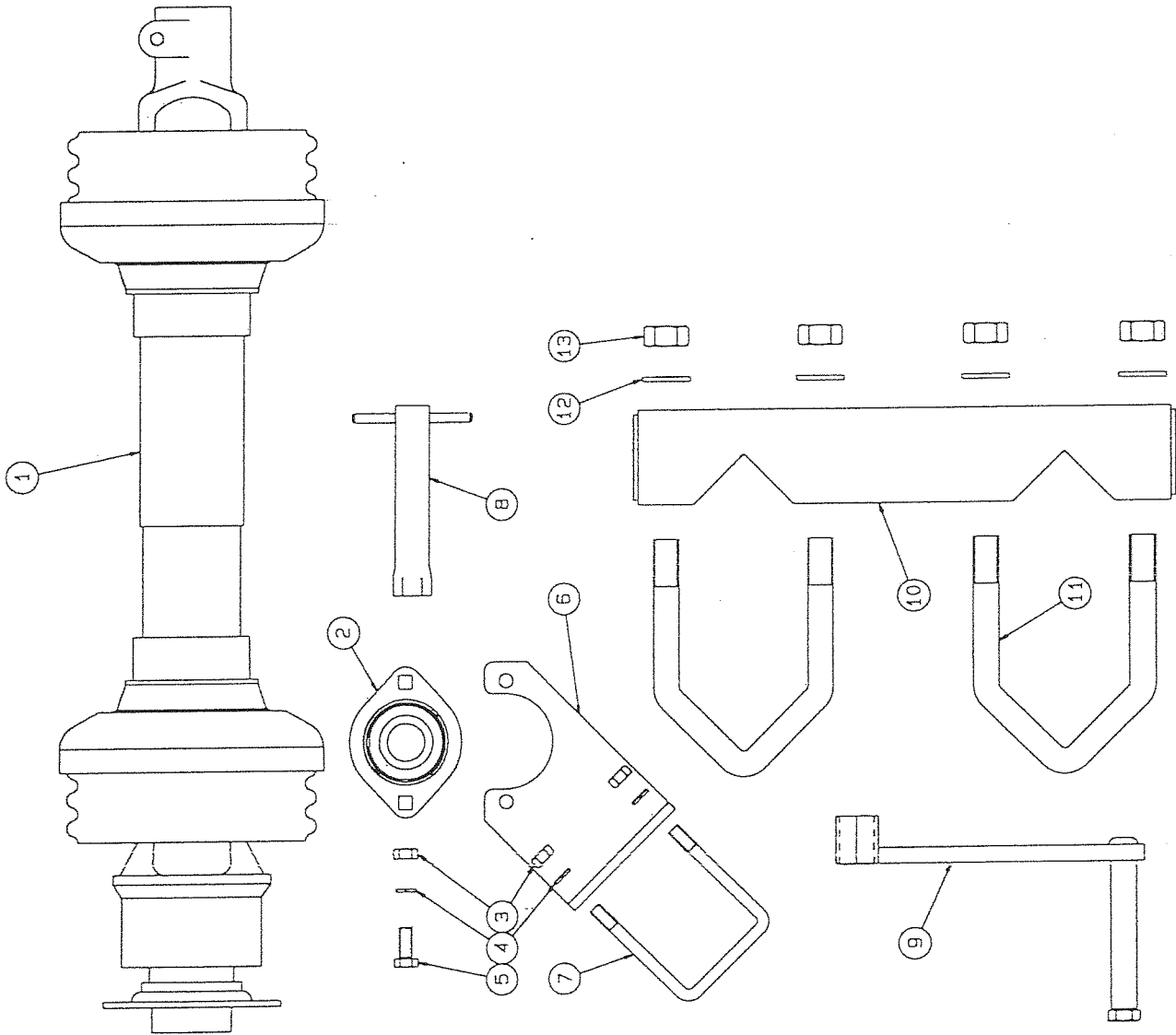


ASSEMBLY: -

7702095 PARKING STAND (ITEMS 1-10)

PARKING STAND

1	6416033	PTO SHAFT-610JC	1
2	8010027	BEARING + ITEMS 3,4,5	1
3	2303007	HEXAGON NUT	4
4	2311215	SPRING WASHER	4
5	2309048	HEXAGON SCREW	2
6	7400070	BEARING BRACKET	1
7	8002126	U-BOLT + ITEMS 3, 4	1
8	7402922	BOX SPANNER	1
9	7403037	CALIBRATION HANDLE	1
10	7403132	JOINING MEMBER-200 CRS	1
11	8002125	U-BOLT + ITEMS 12,13	1
12	2311092	FLAT WASHER-FORM A	4
13	2303010	HEXAGON NUT	4

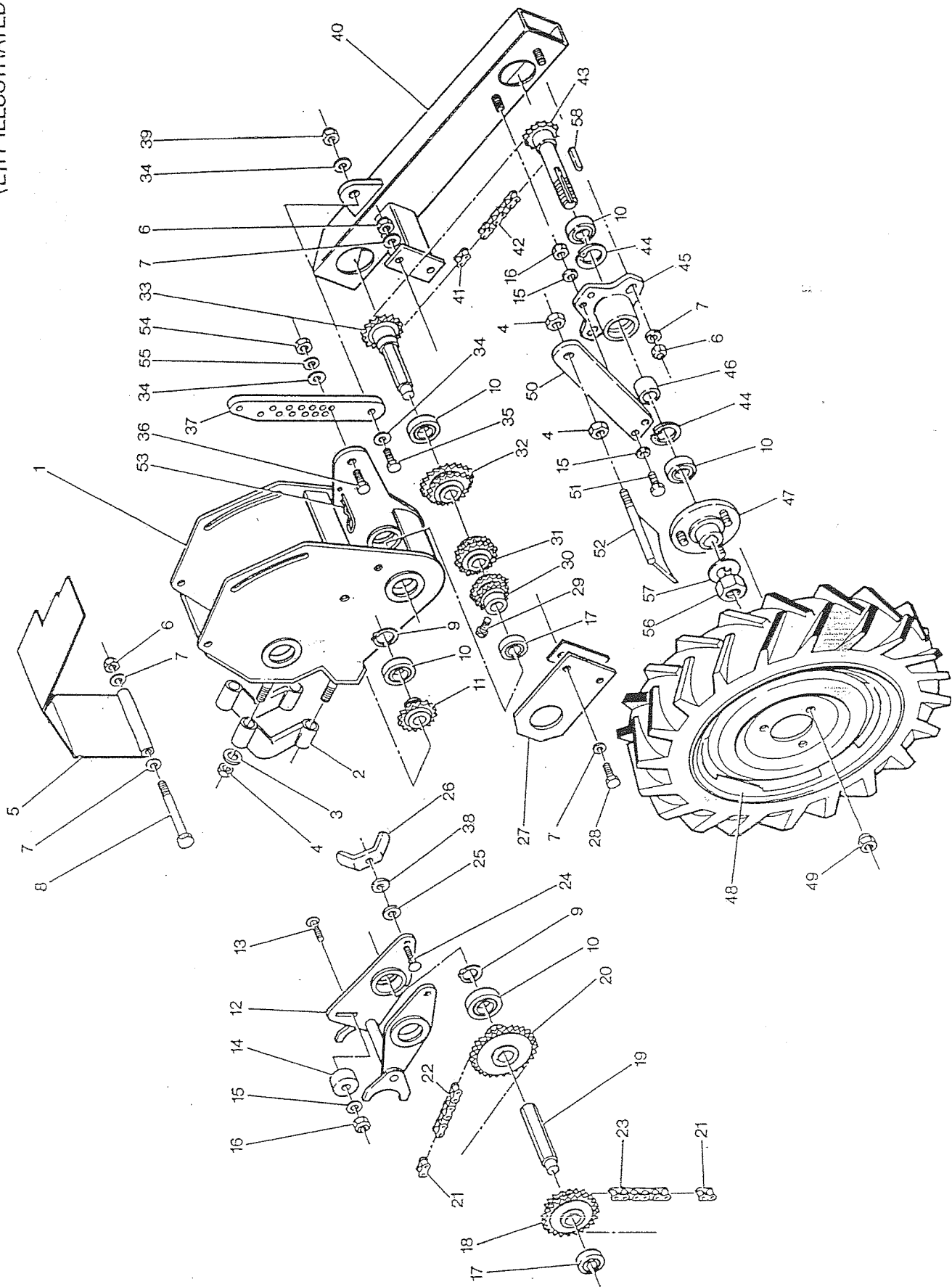


ASSEMBLIES & KITS: -

7700996 SHAFT BEARING ASSEMBLY (ITEMS 2-7)
 8002781 JOINING MEMBER-200 CRS (ITEMS 10-13)

MISCELLANEOUS COMPONENTS

(L/H ILLUSTRATED)



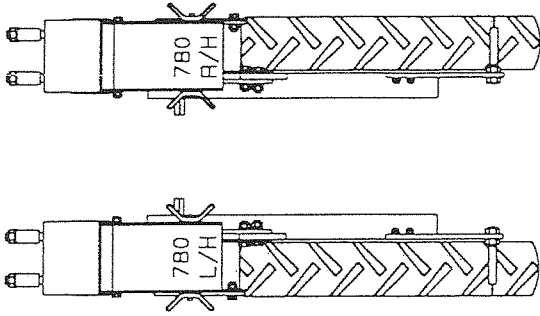
4.00 - 16 TYRES

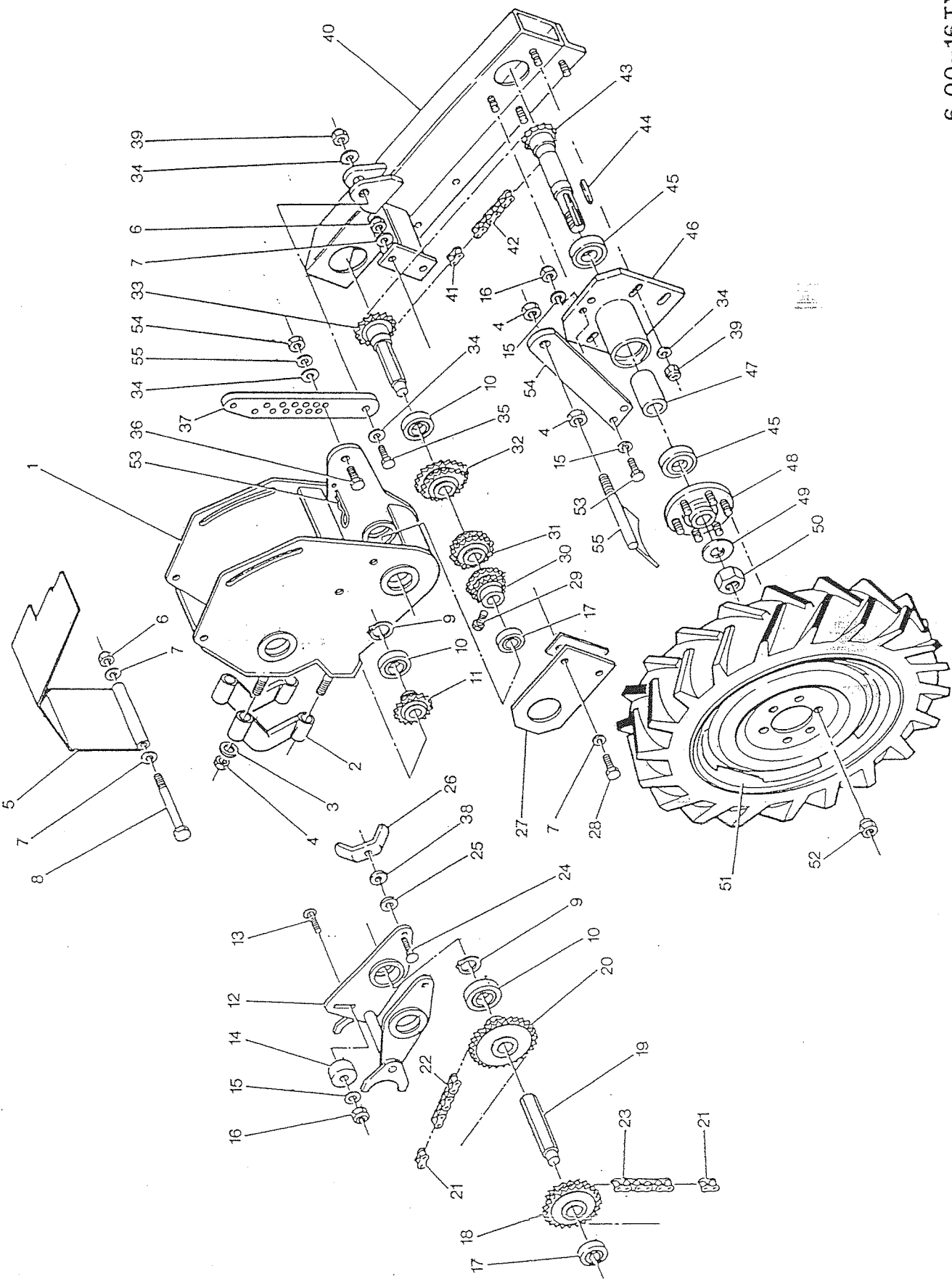
MASTER LANDWHEEL/GEARBOX - 60 X 60 TOOLBAR
4.00-16 TYRE

Item No:	Part No:	Description	Item No:	Part No:	Description
1	7402719	Gearbox Body LH	35	2306097	Hexagon Bolt
2	7402720	Gearbox Body RH	36	2306097	Hexagon Bolt
3	7402662	Clamp Half	37	6902230	Wheel Stud
4	2311092	Flat Washer-Form A	38	2311370	Flat Washer-form G
5	2303010	Hexagon Nut	39	2303110	Nyloc Nut-Thin
6	7402445	Gearbox Lid LH	40	7402434	wheel Arm
7	7402840	Gearbox Lid RH	41	1808065	Connecting Link
8	2303109	Nyloc Nut-Thin	42	1808066	Chain-87 pitches
9	2311090	Flat Washer-Form A	43	7403158	16T Wheel Spindle
10	2306082	Hexagon Bolt	44	2217208	Internal Circlip
11	2217009	External Circlip	45	3000657	Landwheel Hub
	1901051	Ball Bearing	46	6902673	Bearing Spacer-Landwheel
	7402808	21T Driven Sprocket	47	7703048	Wheel Centre c/w Studs
	6902326	Shaft Support (non drill driving wheels only)	48	5700339	Wheel Stud
12	7402687	Adjuster Frame	5700336	Landwheel LH	
13	2306466	Coach Bolt	5700335	Landwheel RH	
14	6902235	Output Drive Jockey		(c/w tyre & tube)	
15	2311089	Flat Washer-Form A	5700333	Wheel	
16	2303092	Nyloc Nut-Full	5700334	Tyre	
17	1901049	Ball Bearing	5700335	Tube	
18	7703060	17/24T Sliding Sprocket	49	5700340	Wheel Nut
	1707090	13/30T Sliding Sprocket	50	6902239	Scraper Arm
	1707057	11T Sliding Sprocket	51	2309049	Hexagon Screw
19	6902234	Output Shaft	52	7402446	Landwheel Scraper
20	7402807	19T Output Sprocket	53	2316033	A-clip
21	1807101	Connecting Link (for items 22 & 23)	54	2303009	Hexagon Nut
22	1807113	Chain-42 pitches	55	2311217	Spring Washer
23	1807110	Chain-53 pitches	56	2303013	Hexagon Nut
24	2306488	Coach Bolt	57	6902759	Tab Washer-Landwheel
25	6902236	Quadrant Washer	58	6413059	Key-Wheel Spindle
26	6902742	Adjuster Frame Nut			
27	6902229	Arm Pivot Plate			
	6902325	Plate Packing (for adjustment)			
28	2309063	Hexagon Screw			
29	7403965	Locking Screw			
30	1707083	16/17T Sprocket			
31	1707084	18/19T Sprocket			
32	1707085	20/21T Sprocket			
33	7402467	16T Input Sprocket			
34	2311091	Flat Washer-Form A			

ASSEMBLIES: -

7703053	Landwheel LH - 12 speed-Drill & Granyl drive
7703054	Landwheel RH - 12 speed-Drill & Granyl drive
7703155	Landwheel LH - 30 speed-Drill & Granyl drive
7703156	Landwheel RH - 30 speed-Drill & Granyl drive
7703049	Landwheel LH - Granyl drive
7703050	Landwheel RH - Granyl drive
7703396	Landwheel LH - Support-no drive
7703397	Landwheel RH - Support-no drive

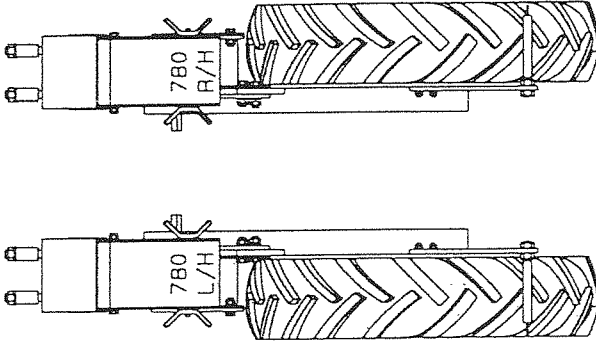




Copyright © 1998 by John Deere
All rights reserved. No part of this publication may be reproduced, stored in a retrieval system, or transmitted, in any form or by any means, electronic, mechanical, photocopying, recording, or by any information storage and retrieval system, without the prior written permission of John Deere.

MASTER LANDWHEEL/GEARBOX - 60 X 60 TOOLBAR
6.00-16 TYRE

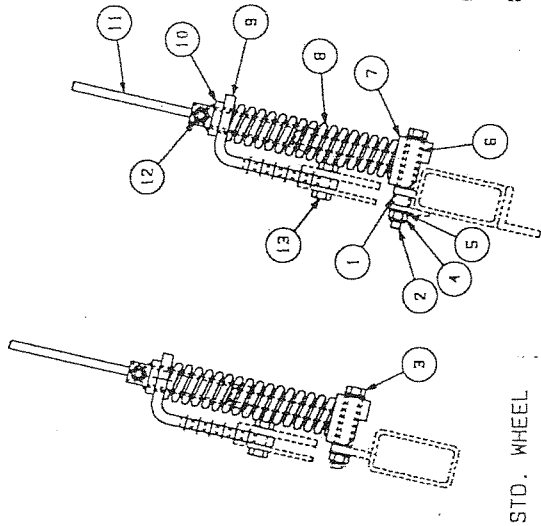
Item No:	Part No:	Description	Item No:	Part No:	Description
1	7402719	Gearbox Body LH	35	2306097	Hexagon Bolt
2	7402720	Gearbox Body RH	36	2306097	Hexagon Bolt
3	7402662	Clamp Half	37	6902230	Wheel Stut
4	2311092	Flat Washer-Form A	38	2311370	Flat Washer-form G
5	2303010	Hexagon Nut	39	2303110	Nyloc Nut-Thin
6	7402445	Gearbox Lid LH	40	7403042	Wheel Arm LH
7	7402840	Gearbox Lid RH	41	7403043	Wheel Arm RH
8	2303109	Nyloc Nut-Thin	42	1808065	Connecting Link
9	2311090	Flat Washer-Form A	43	1808071	Chain-95 pitches
10	2306082	Hexagon Bolt	44	7403217	16T Wheel Spindle
11	2217009	External Circlip	45	6413059	Key-Wheel Spindle
12	1901051	Ball Bearing	46	1901053	Ball Bearing
13	7402808	24T Driven Sprocket	47	7403154	Wheel Hub
14	6902326	Shaft Support	48	6902758	Bearing Spacer-LWHD
15		(non drill driving wheels only)	49	5700339	Wheel Stud
16	7402687	Adjuster Frame	50	7703133	Wheel Centre c/w Studs
17	2305466	Coach Bolt	51	5700371	Wheel Stud
18	6902235	Output Drive Jockey	52	6902759	Tab Washer-Landwheel
19	2311089	Flat Washer-Form A	53	2303013	Hexagon Nut
20	2303092	Nyloc Nut-Full	54	5700377	Landwheel LH
21	1901049	Ball Bearing	55	5700378	Landwheel RH
22	7703060	17/24T Sliding Sprocket			(c/w tyre & tube)
23	1707090	13/30T Sliding Sprocket			Wheel - 6 stud
24	1707057	11T Sliding Sprocket			Tyre 6.00-16
25	6902234	Output Shaft			Tube
26	7402807	19T Output Sprocket			Wheel Nut
27	1807101	Connecting Link			Hexagon Screw
28		(for items 22 & 23)			Scraper Arm
29	1807113	Chain-42 pitches			Landwheel Scraper
30	1807110	Chain-53 pitches			
31	2305488	Coach Bolt			
32	6902236	Quadrant Washer			
33	6902742	Adjuster Frame Nut			
34	6902229	Arm Pivot Plate			
35	6902325	Plate Packing			
36		(for adjustment)			
37	2309063	Hexagon Screw			
38	7403965	Locking Screw			
39	1707083	16/17T Sprocket			
40	1707084	18/19T Sprocket			
41	1707085	20/21T Sprocket			
42	7403044	14T Input Sprocket			
43	2311091	Flat Washer-Form A			



ASSEMBLIES: -
 7702932 Landwheel LH - 30 speed-Drill & Granyl drive
 7702933 Landwheel RH - 30 speed-Drill & Granyl drive
 7702928 Landwheel LH - Granyl drive
 7702929 Landwheel RH - Granyl drive
 7703398 Landwheel LH - Support-no drive
 7703399 Landwheel RH - Support-no drive

1	6903516	ARM LUG SPACER	1
2	2306107	HEXAGON BOLT	1
3	2306105	HEXAGON BOLT	1
4	2303110	NYLOC NUT-THIN	2
5	2311091	FLAT WASHER-FORM A	2
6	6902537	PIVOT BUSH	1
7	7402837	P.ARM & ADJUST.-WA	1
8	2701056	COMPRESSION SPRING	1
9	6902689	SPRING LOADING ARM	1
10	7402838	SPRING LOCATOR-WA	1
11	6902536	SPRING TENS HANDLE	1
12	2303044	HEXAGON LOCKNUT	1
13	2306096	HEXAGON BOLT	1

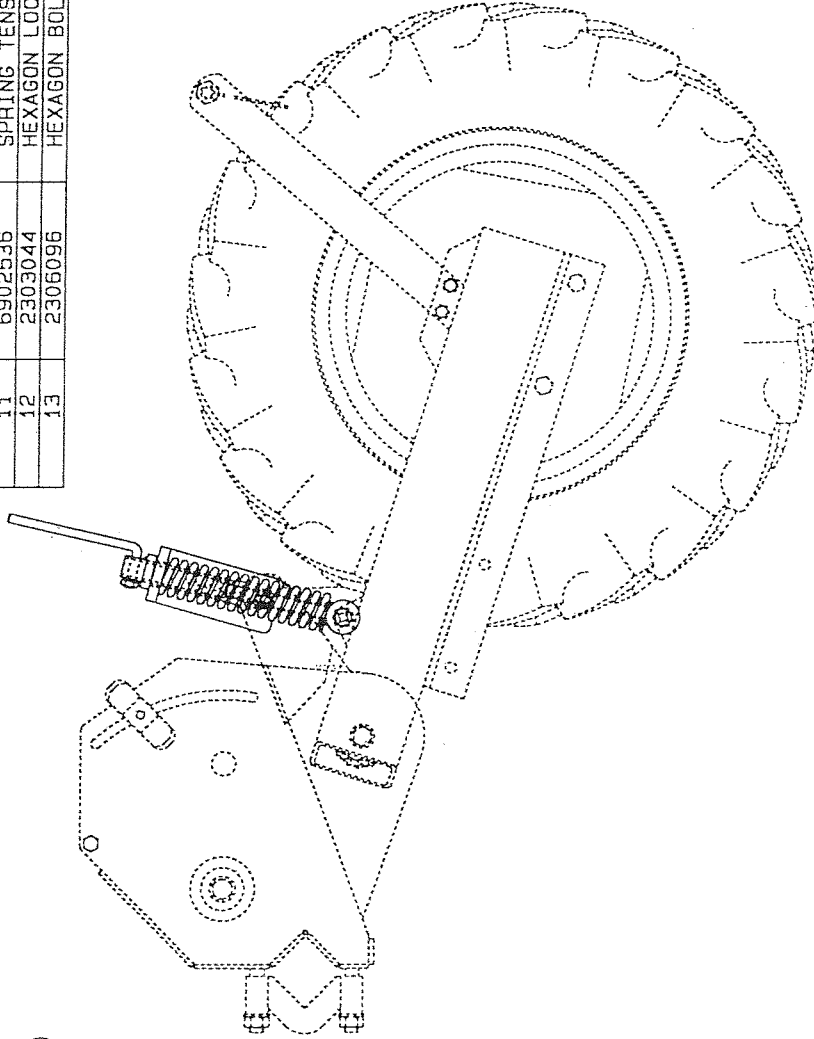
XL WHEEL
 XL WHEEL
 STD WHEEL



STD. WHEEL

XL WHEEL

WILL FIT BOTH LEFT HAND
 AND RIGHT HAND WHEEL



MASTER LANDWHEEL/GEARBOX
 SPRING LOADING CONVERSION

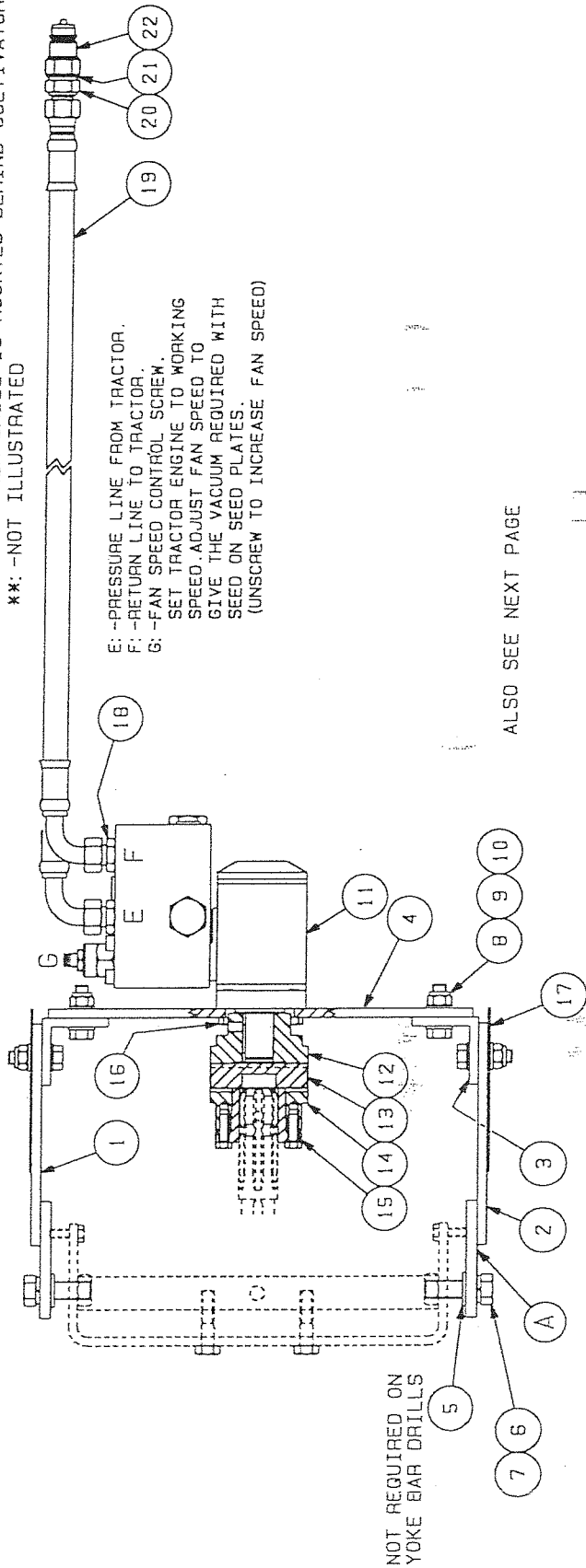
KIT: -8002538 (ALL ITEMS)

ASSEMBLY INSTRUCTIONS

1. FIT ARMS (A) TO FAN UNIT AS SQUARELY AS POSSIBLE AND TIGHTEN BOLTS.
 2. ASSEMBLE SPLINED HUB (ITEM 15, B) AND COUPLING HALF (ITEM 14) AS BELOW. THOROUGHLY CLEAN COMPONENTS WITH A SOFT DRY CLOTH, UNDER NO CIRCUMSTANCES USING OIL OR ANY OTHER FORM OF LUBRICANT, AND TIGHTEN THE SCREWS FINGER-TIGHT.
 3. SLIDE THE ASSEMBLY ONTO THE FAN DRIVE SHAFT AND POSITION THE END OF THE HUB FLUSH WITH THE END OF THE SHAFT AS SHOWN AT (C). DO NOT TIGHTEN THE 4 SCREWS.
 4. FIT THE HYDRAULIC MOTOR TO THE MOUNTING PLATE AND TIGHTEN THE 4 SCREWS. YET.
 5. SLIDE THE MOTOR COUPLING HALF (C) ONTO THE MOTOR SHAFT AS FAR AS IT WILL GO AND TIGHTEN THE GRUB SCREW.
 6. USING THE ANGLE CORNER BRACKETS, LOOSELY FIT ASSEMBLY BETWEEN THE ARMS (A) WHILE POSITIONING THE RUBBER SPIDER (ITEM 13) BETWEEN THE COUPLING HALVES. WITH THE 35MM DIAMETER RECESS IN THE CENTRE OF THE SPIDER TOWARDS THE SPLINED SHAFT.
 7. PUSH THE COMPLETE ASSEMBLY TOWARDS THE FAN UNIT, ENSURE THE COUPLING IS IN LINE, AND TIGHTEN BOLTS IN CORNER BRACKETS.
 8. SLIDE THE SPLINED HUB AND COUPLING ASSEMBLY TOWARDS THE MOTOR HALF UNTIL THE END OF THE SPLINED HUB IS TIGHTLY AGAINST THE RUBBER SPIDER AND, HOLDING THE HUB IN POSITION, PROGRESSIVELY TIGHTEN THE 3 SCREWS TO TORQUE OF 16 FT. LBS. A GAP OF ABOUT 4MM BETWEEN THE RUBBER SPIDER AND THE FAN COUPLING WILL DEVELOP WHERE SHOWN AT (D).
- NOTE: TO REMOVE THE COUPLING FROM THE FAN DRIVE SHAFT, REMOVE THE THREE SCREWS AND INSERT THEM IN THE TWO TAPPED HOLES IN THE FLANGE OF THE SPLINED HUB. TIGHTEN PROGRESSIVELY UNTIL ASSEMBLY DISENGAGES.

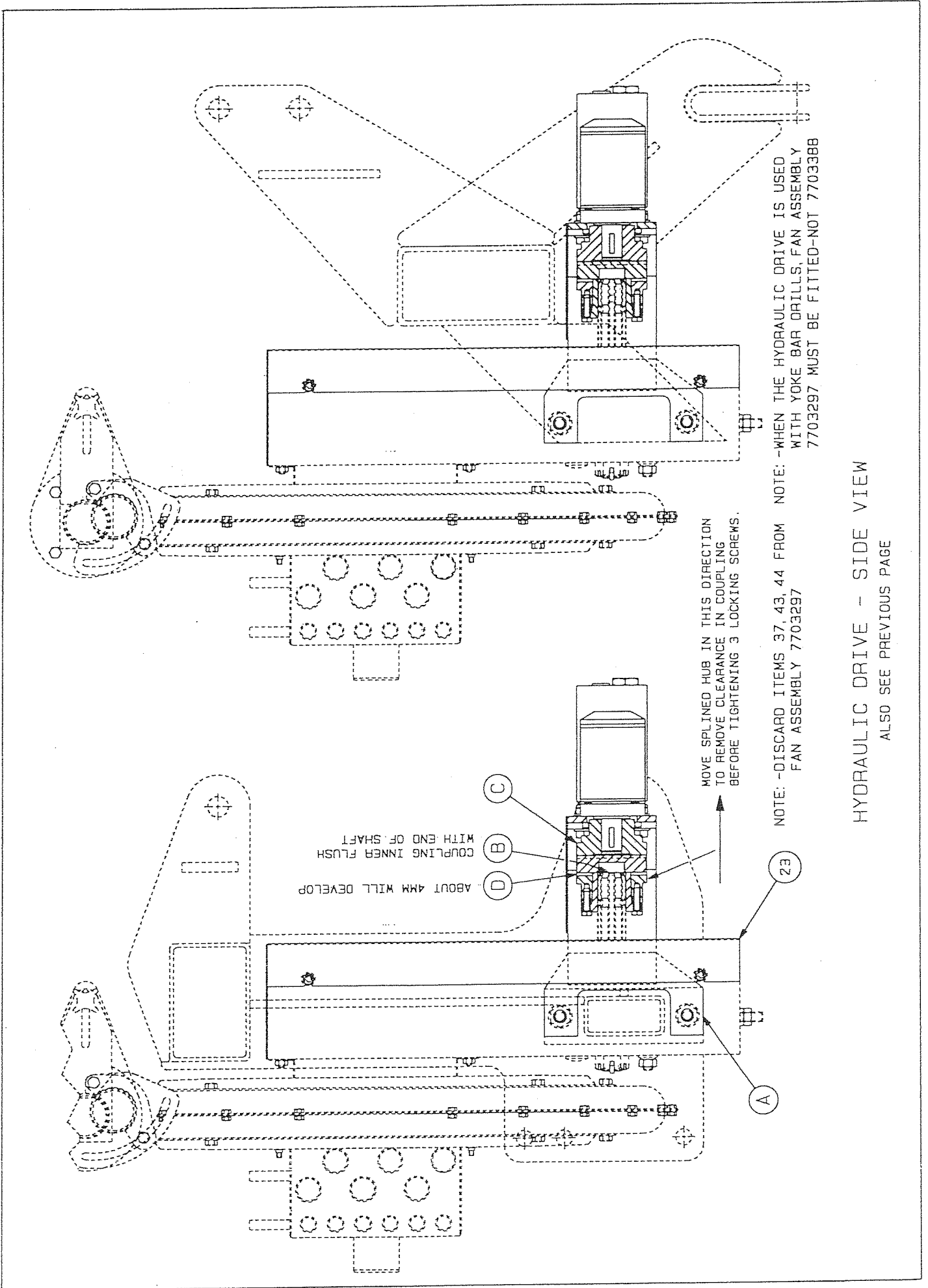
1	7403763	H. D SIDEPLATE-LH-WA	1
2	7403767	H. D SIDEPLATE-RH-WA	1
3	6903400	CORNER BRACKET	2
4	6903401	MOTOR MOUNTING PLATE	1
5	2311092	FLAT WASHER-FORM A	4
6	2311218	SPRING WASHER	4
7	2306128	HEXAGON BOLT	4
8	2311091	FLAT WASHER-FORM A	16
9	2306096	HEXAGON BOLT	8
10	2303110	NYLOC NUT-THIN	8
11	4102007	HYD. MOTOR & VAVLE	1
12	6903402	MOTOR COUPLING	1
13	6405037	COUPLING SPIDER	1
14	6405038	SHAFT COUPLING-OUTER	1
15	6405039	SHAFT COUPLING-INNER	1
16	2308051	HEXAGON SCREW	4
17	6903403	HYD. DRIVE GUARD	1
18	4107121	MOTOR/HOSE ADAPTOR	2
19	4106001	HYD. HOSE-1650 LONG	2
*	4106193	HYD. HOSE-5000 LONG	2
20	4107003	MALE/MALE ADAPTOR	2
21	4003007	DOWTY WASHER	2
22	4107100	BREAK-AWAY COUPLING	2
**	6903404	FAN GUARD-HYD. DRIVE	1

*: -USE WHEN DRILL IS MOUNTED BEHIND CULTIVATOR
 **: -NOT ILLUSTRATED

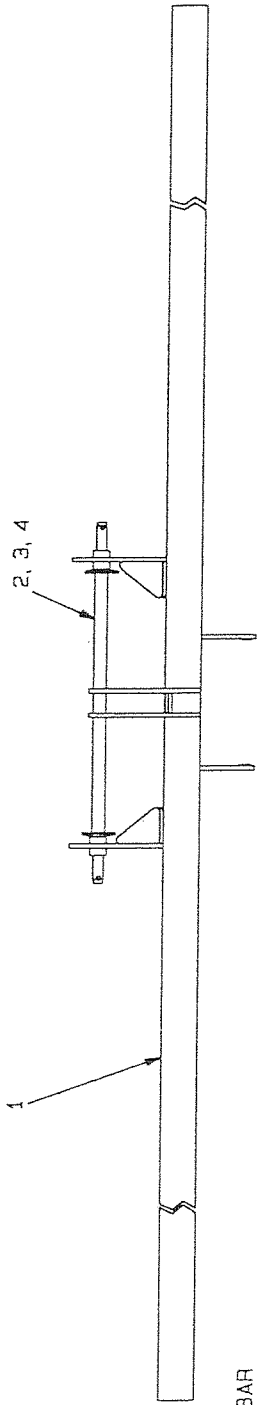


HYDRAULIC DRIVE FOR 12 PORT FAN

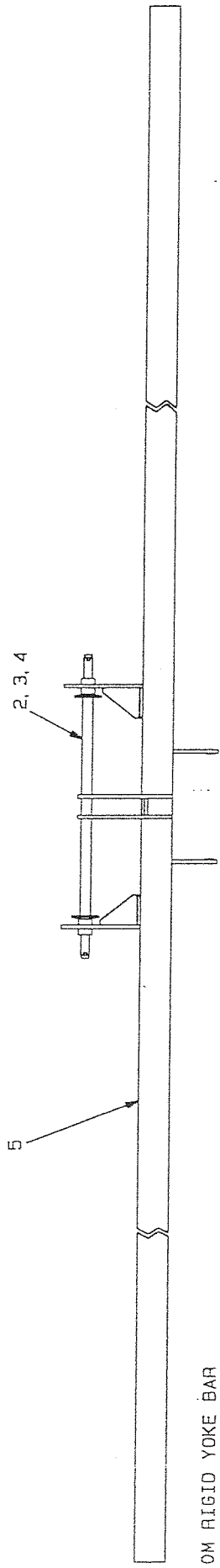
KIT: -8003259 (ALL ITEMS) (TRACTOR MOUNTED)
 8003459 (ALL ITEMS) (CULTIVATOR MOUNTED)



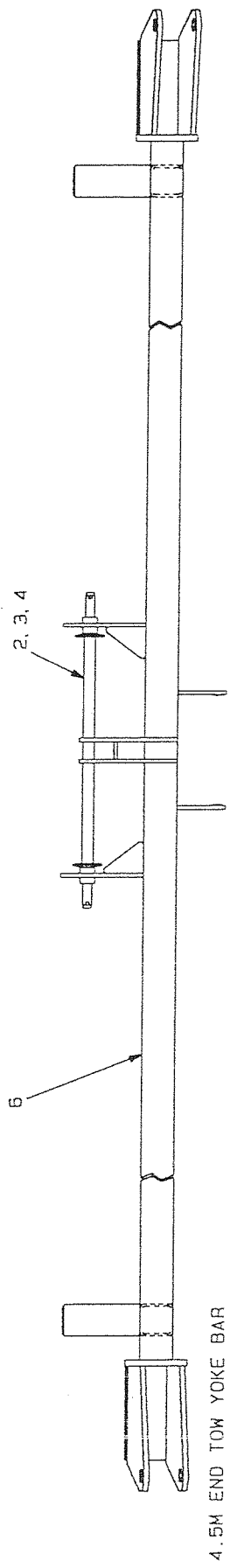
HYDRAULIC DRIVE - SIDE VIEW
 ALSO SEE PREVIOUS PAGE



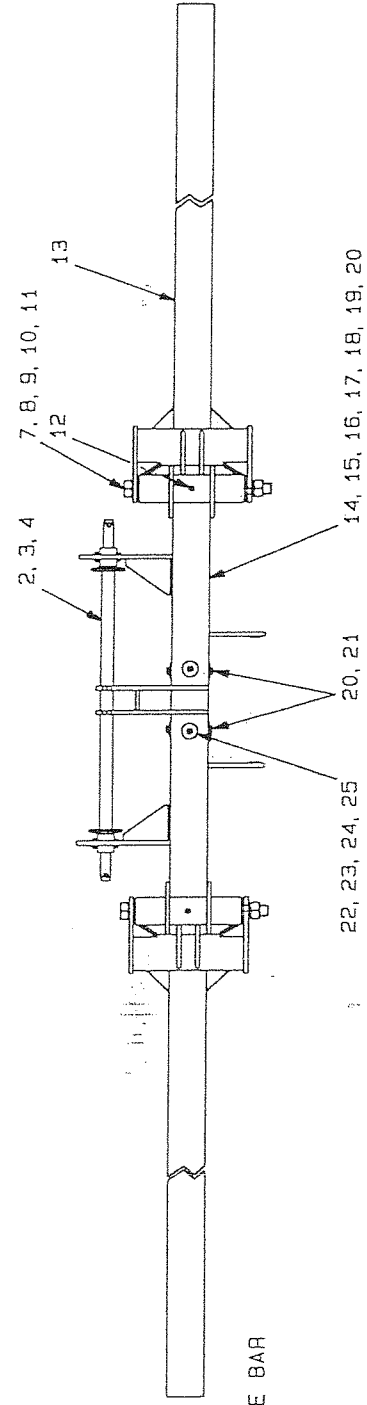
4.5M RIGID YOKE BAR



6.0M RIGID YOKE BAR



4.5M END TOW YOKE BAR



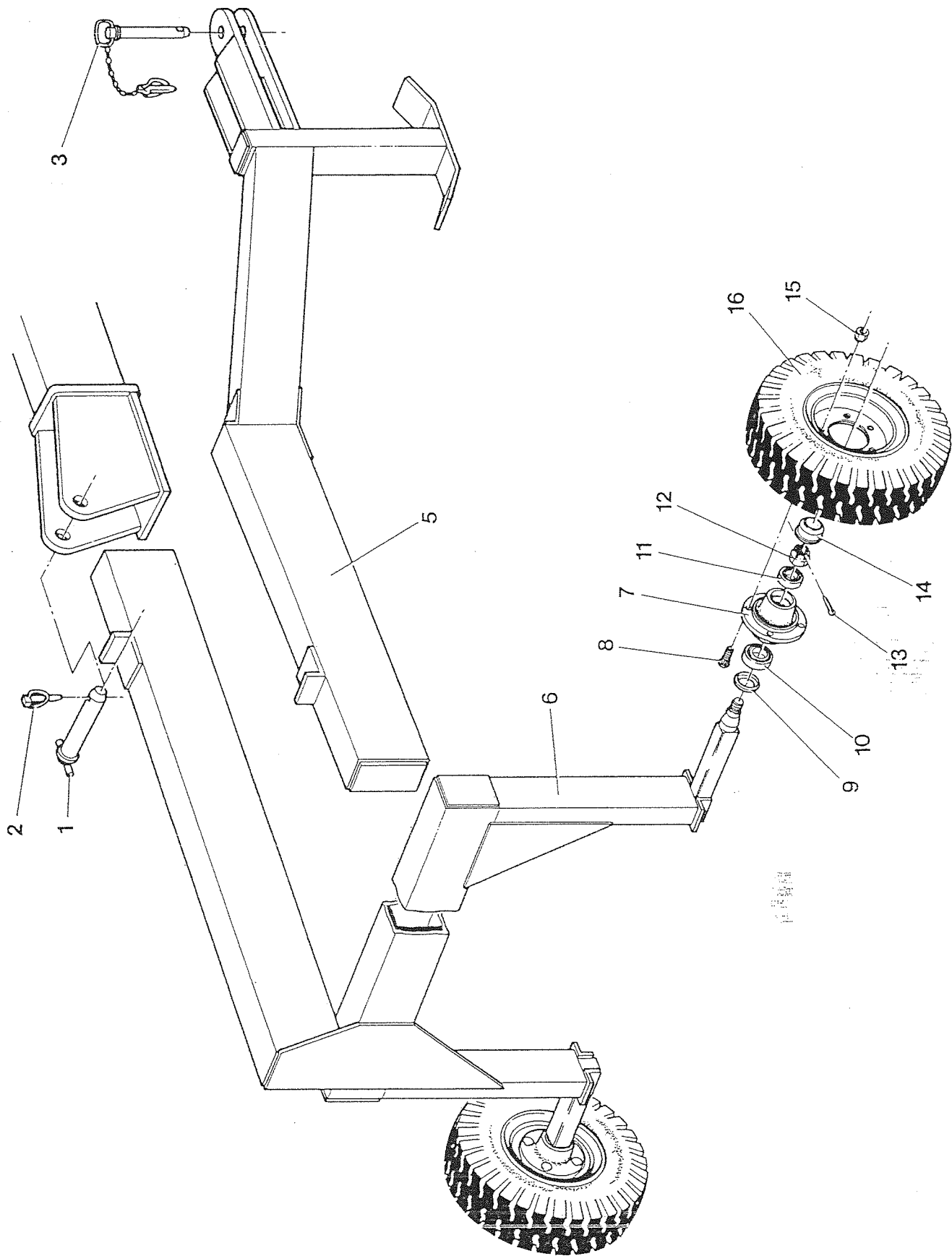
4.5M FOLDING YOKE BAR

YOKE BARS

Item No:	Part No:	Description	Item No:	Part No:	Description
1	7403527	4.5M Rigid Yoke Bar-WA	14	7403524	F. Yoke Bar Centre-WA
2	2303095	Nyloc Nut-full	15	4105065	Hydraulic Ram
3	2306131	Hexagon Bolt	16	4003004	Dowty Washer
4	7402581	Lower Hitch Pin-WA	17	7002016	Ram Pin-S
5	7403526	6.0M Rigid Yoke Bar-WA	18	4107122	Adaptor Restrictor
6	7403528	4.5M End Tow Yoke Bar-WA	19	2314801	Towing Pin
7	6902242	Hinge Bush	20	2215586	Split Pin
8	6902243	Hinge Spacer	21	7002015	Ram Pin-L
9	7402579	Hinge Bolt-WA	22	4003007	Dowty Washer
10	2303013	Hexagon Bolt	23	4107016	Male/Male Adaptor
11	2311221	Spring Washer	24	4107100	Break-Away Coupling
12	6401006	Straight Greaser	25	4106175	Hyd. Hose-1550 long
13	7402646	Folding Yoke Bar Wing-WA			

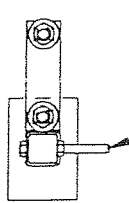
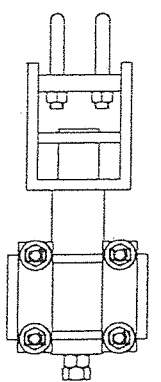
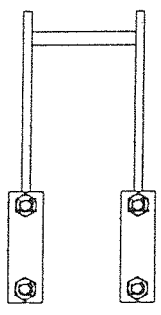
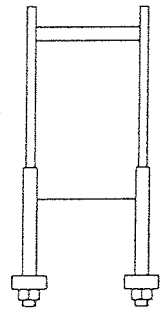
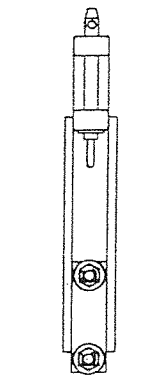
ASSEMBLIES AND KITS

7703392	4.5M Rigid Yoke Bar Assembly
7703391	6.0M Rigid Yoke Bar Assembly
7703393	4.5M End Tow Assembly (LH for UK)
7703879	4.5M End Tow Assembly (RH for Europe)
8003120	4.5M Folding Yoke Bar 3 Bar Kit (state tractor wheel track)
4004024	Seal Kit (For Item 15)

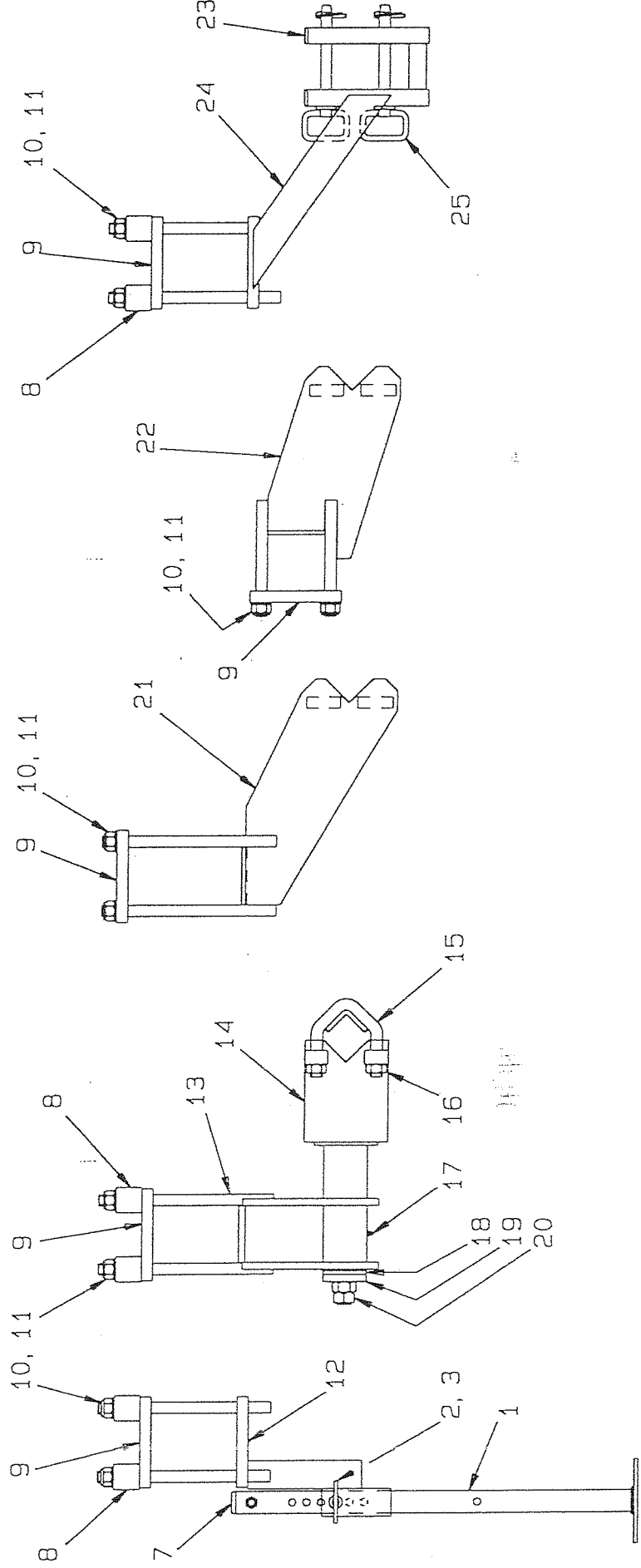


END TOW DRAWBAR AND WHEEL FRAME

Item No:	Part No:	Description
1	7402516	End Tow Pin-WA
2	2314756	Linch Pin
3	2314801	Towing Pin
4	7403528	4.5M End Tow Yoke Bar-WA
5	7402514	End Tow Drawbar-WA (LH for UK) (illustrated)
	7403717	End Tow Drawbar-WA (RH for Europe)
6	7402515	End Tow Wheel Frame-WA (LH for UK) (illustrated)
	7403716	End Tow Wheel Frame-WA (RH for Europe)
7	5700305	Wheel Hub (c/w 8)
8	5700193	Wheel Nut
9	5700304	Seal
10	1903006	Taper Bearing
11	1903004	Taper Bearing
12	5700306	Castle Stud
13	2215634	Split Pin
14	5700307	Dust Cover
15	5700194	Wheel Nut
16	5700229	Wheel, Tyre and Tube
	5700338	Wheel Only
	5700214	Tyre
	5700009	Tube



4, 5, 6



PARKING STAND, PIVOTS, FIXED BRACKETS AND PIVOT LIMITERS
60 X 60 TOOLBAR

Item No:	Part No:	Description	Item No:	Part No:	Description
1	7402141	Parking Stand-WA	14	7402863	Pivot Spindle-WA
2	7402238	Support Pin-WA	15	7402275	U Bolt-WA
3	2316033	R-Clip	16	2303011	Hexagon Nut
4	6902100	Stand Handle	17	6401006	Straight Greaser
5	2303009	Hexagon Nut	18	6902241	Thrust Washer
6	2311217	Spring Washer	19	7402453	Pivot Nut-WA
7	6402018	Plastic Insert	20	2303012	Hexagon Nut
8	6902579	Spacer	21	7402893	RYB Fixed Bracket-WA
9	6902555	Clasp Plate	22	7402892	FYB Fixed Bracket-WA
10	2303096	Nyloc Nut-full	23	6402036	Plastic Insert
11	2311093	Flat Washer-form A	24	7402902	Pivot Limiter-WA
12	7402923	Stand Bracket-WA	25	2314802	Towing Pin
13	7402862	Pivot Hub-WA			

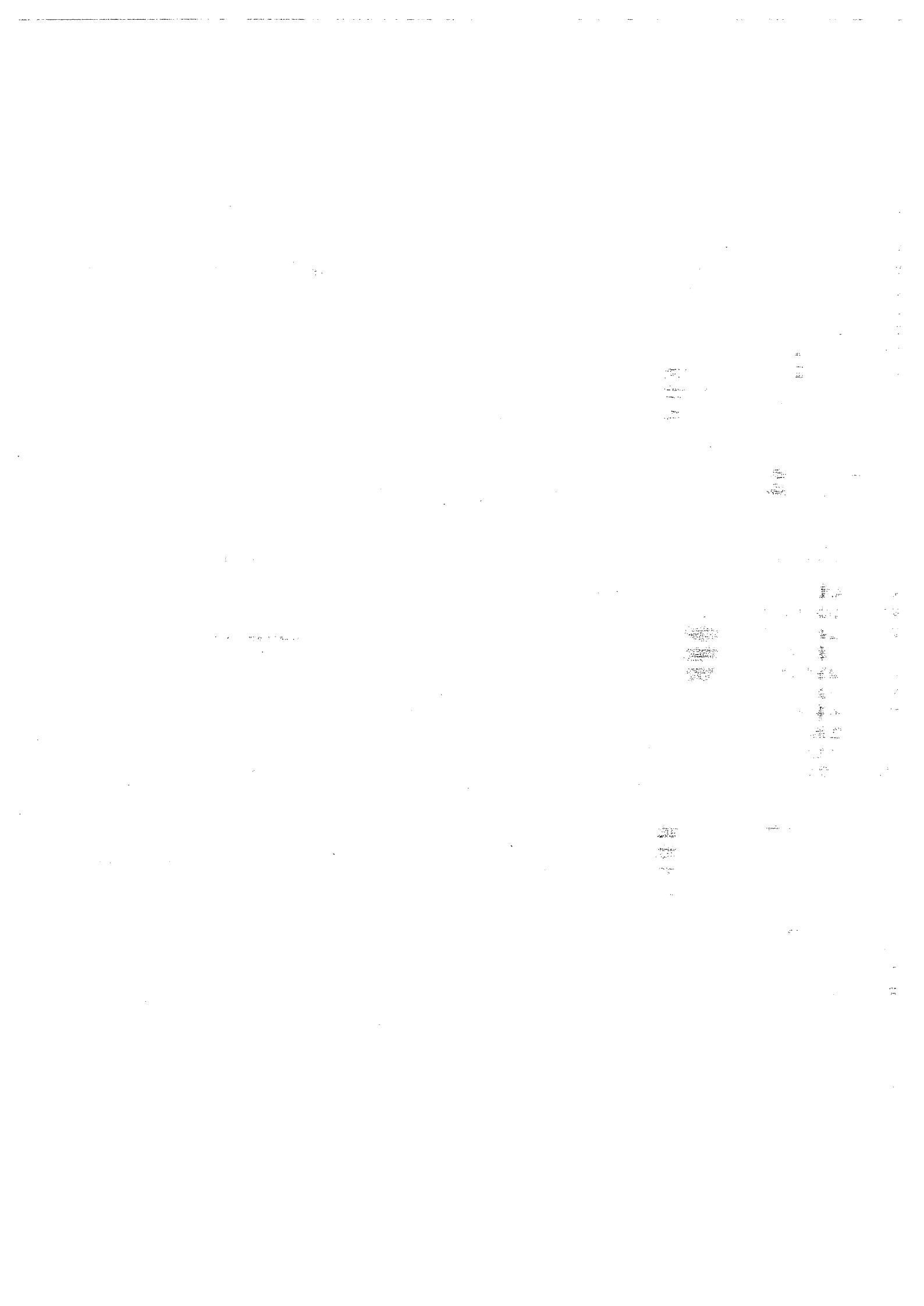
FYB = Folding Yoke Bar

RYB = Rigid Yoke Bar

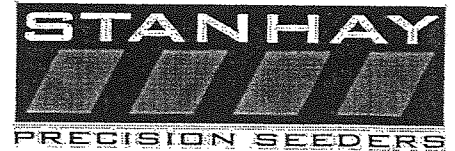
Item 8 not required on RYB machines

ASSEMBLIES: -

7702836	FYB Parking Stand Assembly (Items 1-12)
7702837	RYB Parking Stand Assembly (Items 1-7, 9-12)
7702739	FYB Pivot Assembly (Items 8-11, 13-20)
7702740	RYB Pivot Assembly (Items 9-11, 13-20)
7702803	RYB Fixed Bracket (3 bar machines) (Items 9-11, 21)
7702802	FYB Fixed Bracket (3 bar machines) (Items 9-11, 22)
7702813	FYB Pivot Limiter Assembly (Items 8-11, 23-25)
7702814	RYB Pivot Limiter Assembly (Items 9-11, 23-25)



STANHAY WEBB WARRANTY POLICY



LIMITATION OF LIABILITY

1. Stanhay Webb Ltd (the Company) does not give any Warranty in respect of its products except the limited Warranty contained in paragraphs 3-5 below which is expressly in lieu of all other warranties or conditions expressed or implied and of all other obligations or liabilities on its part. **The company supplies its products on the express condition that the purchaser is solely responsible for determining the suitability of the product for his requirements and conditions of use.** Stanhay Webb will in no event be liable for any incidental or consequential damages of any nature or source allegedly incurred through defects, incorrect operation, or loss of use of the product, whatsoever, nor for any sum in excess of the price received by the Company for the goods for which liability is claimed. **The Company is not responsible for the performance of its products: it is the purchaser's sole responsibility to ensure that any Stanhay Webb product is performing to his satisfaction at all times, and this responsibility overrides absolutely any suggestions or assistance offered in good faith by the Company or its agents.**
2. Stanhay Webb operates a policy of continuous improvement, and reserves the right to change specifications at any time without prior notice, and without incurring any obligations to make such changes to products previously purchased.

LIMITED WARRANTY

3. Stanhay Webb Ltd warrants to its authorised Distributor or Dealer all new products supplied of its manufacture, when correctly assembled, operated and serviced, to be free from defects in material and workmanship, for a period of nine (9) months (the warranty period) after the date of delivery by the Distributor or Dealer to the original retail purchaser. Its obligations under this Warranty are limited to making good on products for which payment to the Company is not overdue any part or parts (excluding normal wear) of its own manufacture which shall have been reported in writing to the Company within thirty (30) days from date of failure thereof, and which the Company's examination shall disclose to its satisfaction to have been defective. Stanhay Webb repair parts are warranted similarly to ninety (90) days from date of replacement or for the unexpired warranty period of the applicable Stanhay Webb machine, whichever is the longer.
4. Due to the particular nature of Stanhay Webb products, this Warranty is void absolutely if any part not supplied by the Company is used in assembly or repair, or if the product has been altered, assembled, repaired or used in any way, configuration or conditions differing from the written recommendations and instructions of the Company (whose decision is final).
5. In the event of components supplied by Stanhay Webb not of its own manufacture for which payment to the Company is not overdue being reported in writing as defective during the warranty period, Stanhay Webb will endeavour to claim against the manufacturer of such components and in the event of any claim being successful will pass the benefit on to the customer.

CONDITIONS OF SUPPLY

6. No warranties other than those expressly noted herein are given, and no one is authorized to alter, modify or enlarge this Warranty beyond the warranties expressed.
7. This product is supplied subject to the Terms of Trading of Stanhay Webb Ltd as reproduced on the inside covers of the Company's price list.

NOTE: WARRANTY REGISTRATION FORM MUST BE RETURNED TO STANHAY WEBB LIMITED. WARRANTY VOID IF MACHINE IS NOT REGISTERED.

EC DECLARATION OF CONFORMITY

Type of machine : Precision Seed Planting Machine

Name of model : Singulaire 780

Serial Number:

Number of rows :

Manufacturer : Stanhay Webb Ltd.
Houghton Road, Grantham,
Lincs, NG31 6JE

Tel: +44 (0)1476 515406

Fax: +44 (0)1476 515407



.....
Technical Director

We, the manufacturers, hereby declare that this machine, when assembled to our design, conforms with the Essential Health and Safety Requirements of the European Union.

Wij, de fabrikanten, verklaren hierbij dat deze uitrusting, indien opgebouwd volgens ons ontwerp, voldoet aan de gezondheids- en veiligheidsvoorschriften van de Europese Unie.

Assemblé conformément à nos ordres, nous, les fabricants, déclarons que cette machine répond aux normes d'Hygiène et Sécurité au Travail de la CE.

Noi, I fabbricanti, dichiariamo che questo maccinario, quando montato secondo il nostro disegno, si conforma ai requisiti essenziali di salute e di sicurezza della Comunità Europea.

Wenn diese Maschine entsprechend unserer Konstruktion zusammengesetzt wird, erklären wir, daß sie den Arbeitsschutzvorschriften der Europäischen Gemeinschaft entspricht.

Nosotros los fabricantes declaramos que este equipo, realizando el montaje según nuestro diseño, se ajusta a las reglas esenciales de salud y seguridad de la Unión Europea.

Vi, fabrikanten, erklærer hermed at denne maskine, når den er monteret ifølge vores konstruktion, er i overensstemmelse med de essentielle sundhed og sikkerhedskrav indefor EU.

Me valmistajana ilmoitamme täten, että ohjeittemme mukaisesti asennettuna tämä kone täyttää Euroopan Unionin olennaiset terveys- ja turvallisuusvaatimukset.

Nós os fabricantes declaramos que este equipamento, quando montado conforme nosso desenho, ajusta-se às regras essenciais de saúde e segurança da Comunidade Europeia.

Tillverkaren försäkrar härmed att denna maskin, efter sammansättning enligt vår konstruktion, uppfyller hälsooch säkerhetskrav inom EU.

PRECISION DRILL WARRANTY REGISTRATION FORM

Demonstration Installation Date

Conducted by (name)..... (dealer).....

for (grower's name)..... (address).....

(contact) (tel no.)

Conducted at (location)..... In barn/yard/field

Machine Model No:	Serial No:	No of rows:
Crop type:	Area drilled:	
Chosen disc:	selector wheel:	
seedbelt:	gear setting:	

ACKNOWLEDGEMENT BY PURCHASER

This acknowledgement is to be completed for every new drill to validate warranty.

1. The following checks and settings have been explained to me:

All drills

- Row spacing
- Setting charts
- Metering units
- Drive system
- Toolbar height
- Tractor top link
- Drilling depth
- Field checks
- Maintenance

As appropriate

- Pivots and limiters
- Transport system
- Bout markers
- Clod deflectors
- Seedpress wheels
- Power take off
- Fan
- Gauges

2. I acknowledge that the Stanhay Webb Warranty Policy applies to this drill and in particular I acknowledge that I (not Stanhay or my dealer) am responsible for ensuring that it is performing to my satisfaction.

Signed:

Date:



Stanhay Webb Ltd
BCS House
Pinfold Road
Bourne
PE10 9HT
UK

THANK YOU FOR YOUR CO-OPERATION

(After completion, this form to be retained by the selling dealer, and copied to Stanhay.)

