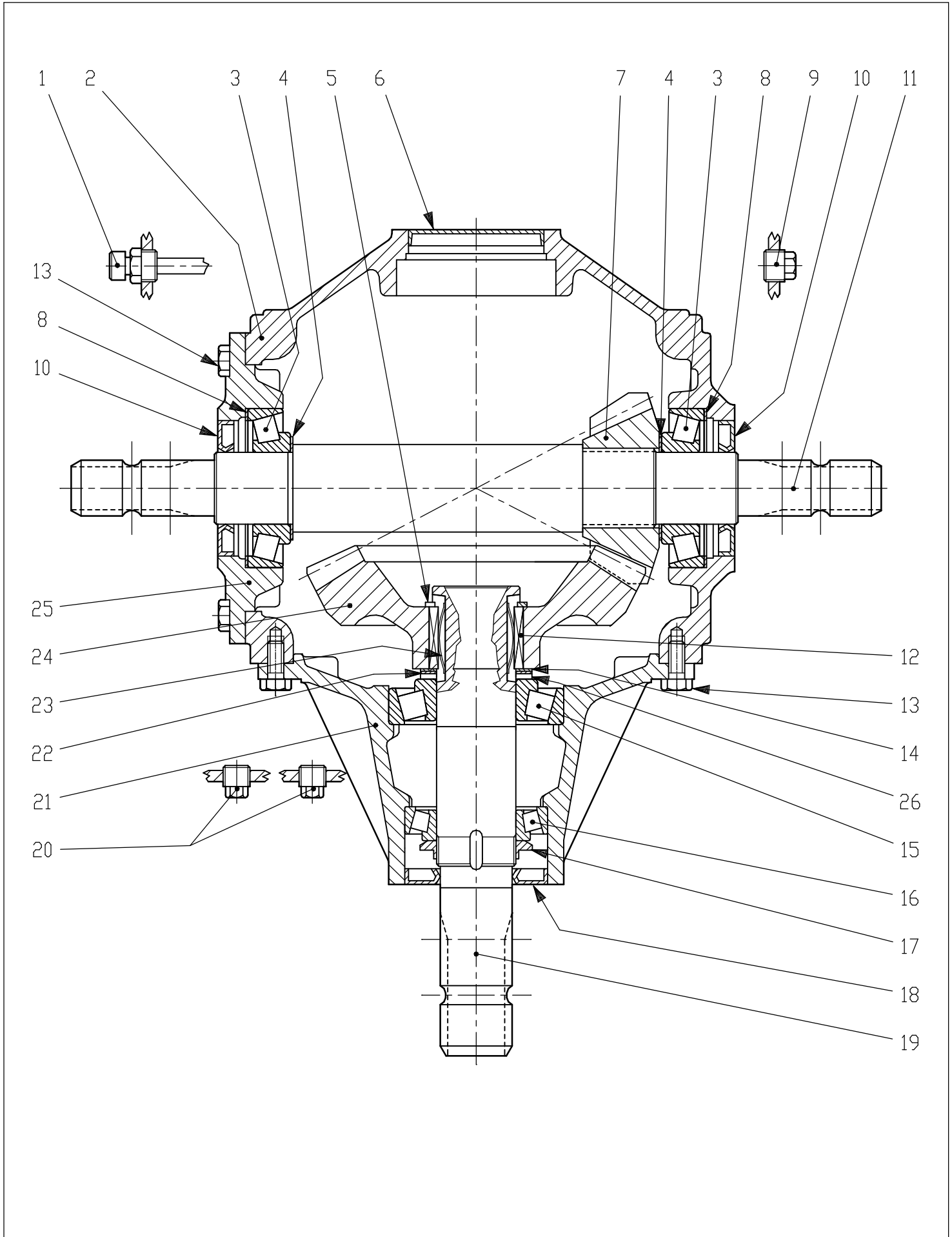


DITTA	RIF.	DENOMINAZIONE	T-301 B
	DATA	20-01-97	CODICE



DESIGNATION GEAR BOX T-301B

CODE N° 9.301.045.00

POS.	DRG. N.	PIEC	DESCRIPTION
1	0.301.7101.00	1	PLUG 1/2"GAS
2	0.301.0300.00	1	CASING
3	8.0.9.00107	2	BEARING 30309
4	0.252.7500.00	2	SHIM 45.3x65.3
5	8.5.1.00928	1	SNAP RING 55 UNI7436
6	0.124.7101.00	1	PLATE
7	0.301.5005.00	1	PINION Z15 M7.3
8	0.703.7500.00	2	SHIM 99.7
9	8.6.5.00203	1	PLUG 1/2"GAS
10	8.7.3.00331	2	OIL SEAL 45X85X10
11	0.301.3004.00	1	SHAFT 1"3/8Z6
12	0.269.7119.00	2	PARALLEL KEY (FW)
13	8.1.1.00061	18	BOLT M10X25 8,8
14	0.712.7500.00	1	SHIM 70.3
15	8.0.9.00268	1	BEARING 30310
16	8.0.9.00469	1	BEARING 30210
17	0.781.7102.00	1	NUT M50X1.5
18	8.7.3.01059	1	OIL SEAL 45X90X10
19	0.301.2003.00	1	SHAFT 1"3/4 Z6 (FW)
20	8.6.5.00006	2	PLUG 3/8"GAS
21	0.301.1304.00	1	EXTENSION (FW)
22	0.712.7510.00	1	SHIM 50.3x1.0
23	0.269.7120.00	2	SPRING (FW)
24	0.301.6004.00	1	CROWN WHEEL Z29 M7.3
25	0.301.1302.00	1	COVER
26	0.301.7104.00	1	SPACER