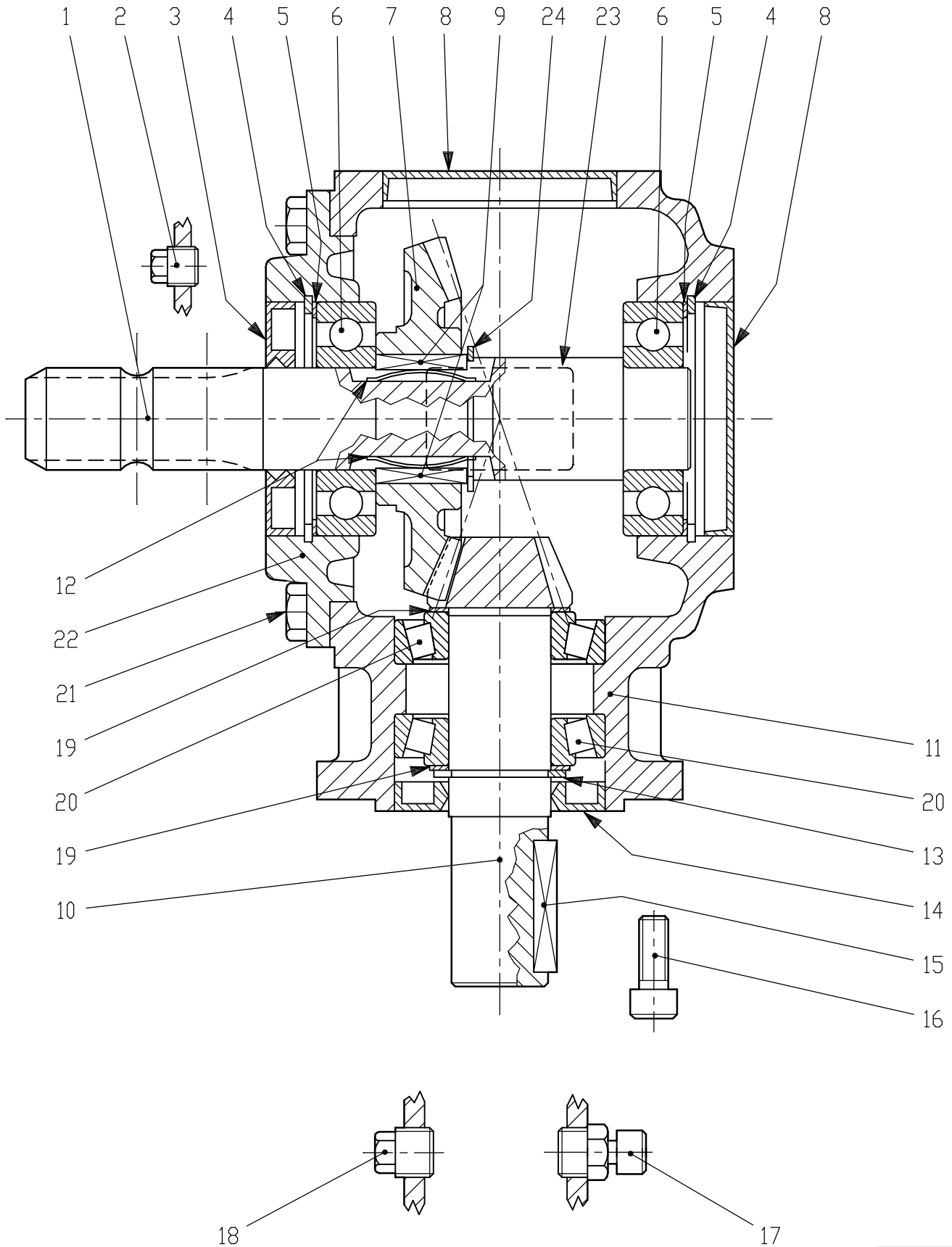


DITTA	RIF.	DENOMINAZIONE	T-310 A
	DATA	08-02-2001	CODICE



S.d.M.
00.0000

DESIGNATION	GEAR BOX	T-310A
-------------	----------	--------

CODE N°	9.310.752.00
---------	--------------

POS.	DRG. N.	PIEC	DESCRIPTION
------	---------	------	-------------

1	0.311.3201.00	1	SHAFT L. 1"3/8 Z6
2	8.6.5.00339	2	PLUG 1/4"GAS
3	8.7.1.00315	1	DOUBLE LIP SEAL 35X80 X10
4	8.5.2.00030	2	SNAP RING 80 UNI7437
5	0.267.7500.00	2	SHIM 79.9
6	8.0.1.00049	2	BALL BEARING 6307
7	0.310.6010.00	1	CROWN WHEEL M3.45
8	8.7.0.00790	2	CAP 80X10
9	0.267.7109.00	2	PARALLEL KEY
10	0.310.5002.00	1	PINION SHAFT Z12 M3.45
11	0.310.0300.00	1	CASING
12	0.267.7110.00	2	SPRING
13	8.5.1.00583	1	SNAP RING 35 UNI7436
14	8.7.3.00055	1	OIL SEAL 35X72X10
15	8.4.1.00314	1	PARALLEL KEY A 10X8X45
16	8.1.2.00198	4	BOLT M10X25 8,8
17	8.6.7.00161	1	OIL FILLER PLUG 3/8"GAS
18	8.6.5.00006	1	PLUG 3/8"GAS
19	0.259.7500.00	2	SHIM 35.3x48.0
20	8.0.9.00026	2	BEARING 30207
21	8.1.1.00501	8	BOLT M10X22 8,8
22	0.310.1300.00	1	COVER
23	0.124.7101.00	1	PLATE
24	8.5.1.00712	1	SNAP RING 42 UNI7435