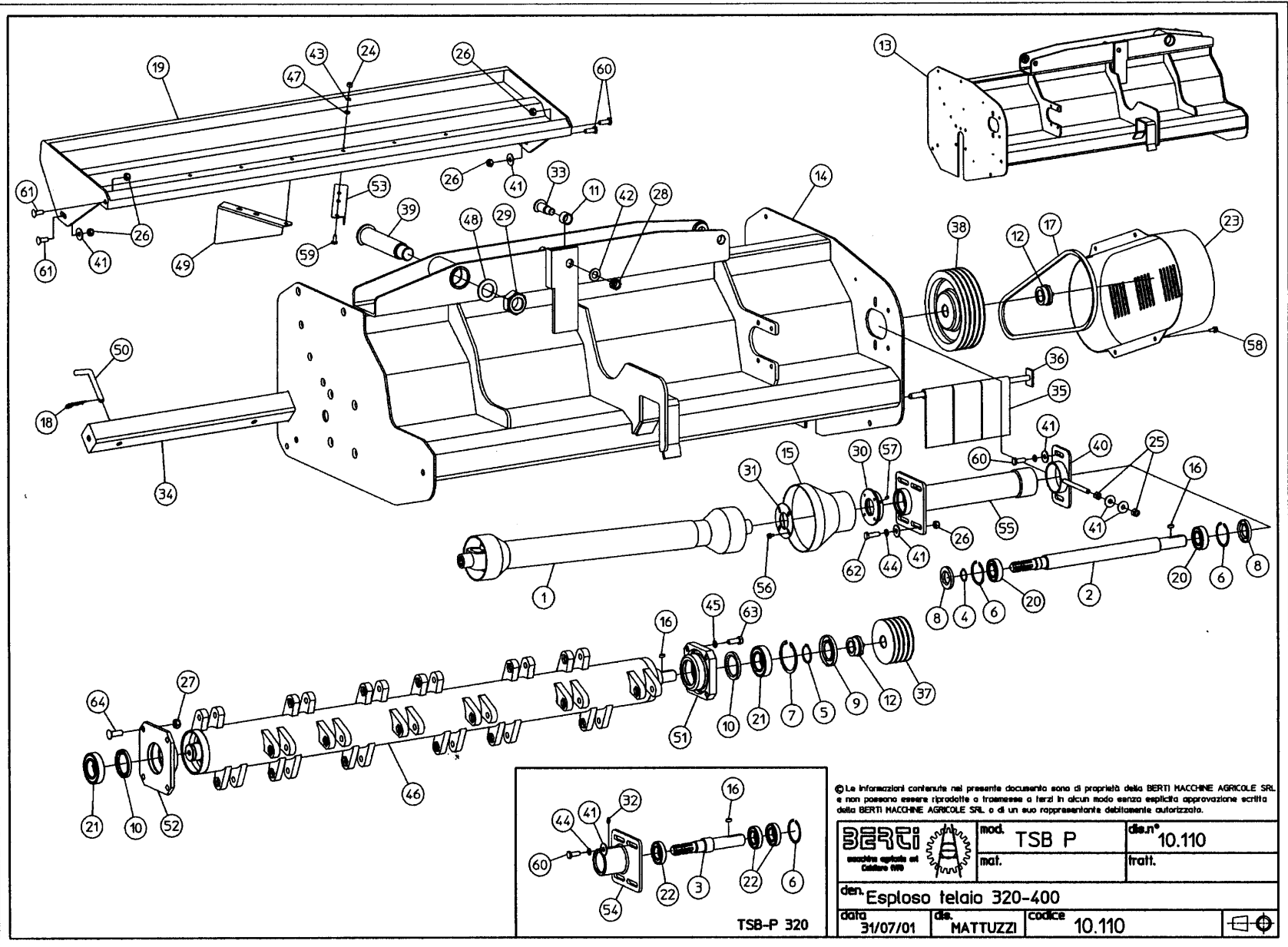





TSB-P

BERTI SPARE PARTS REFERENCE GUIDE



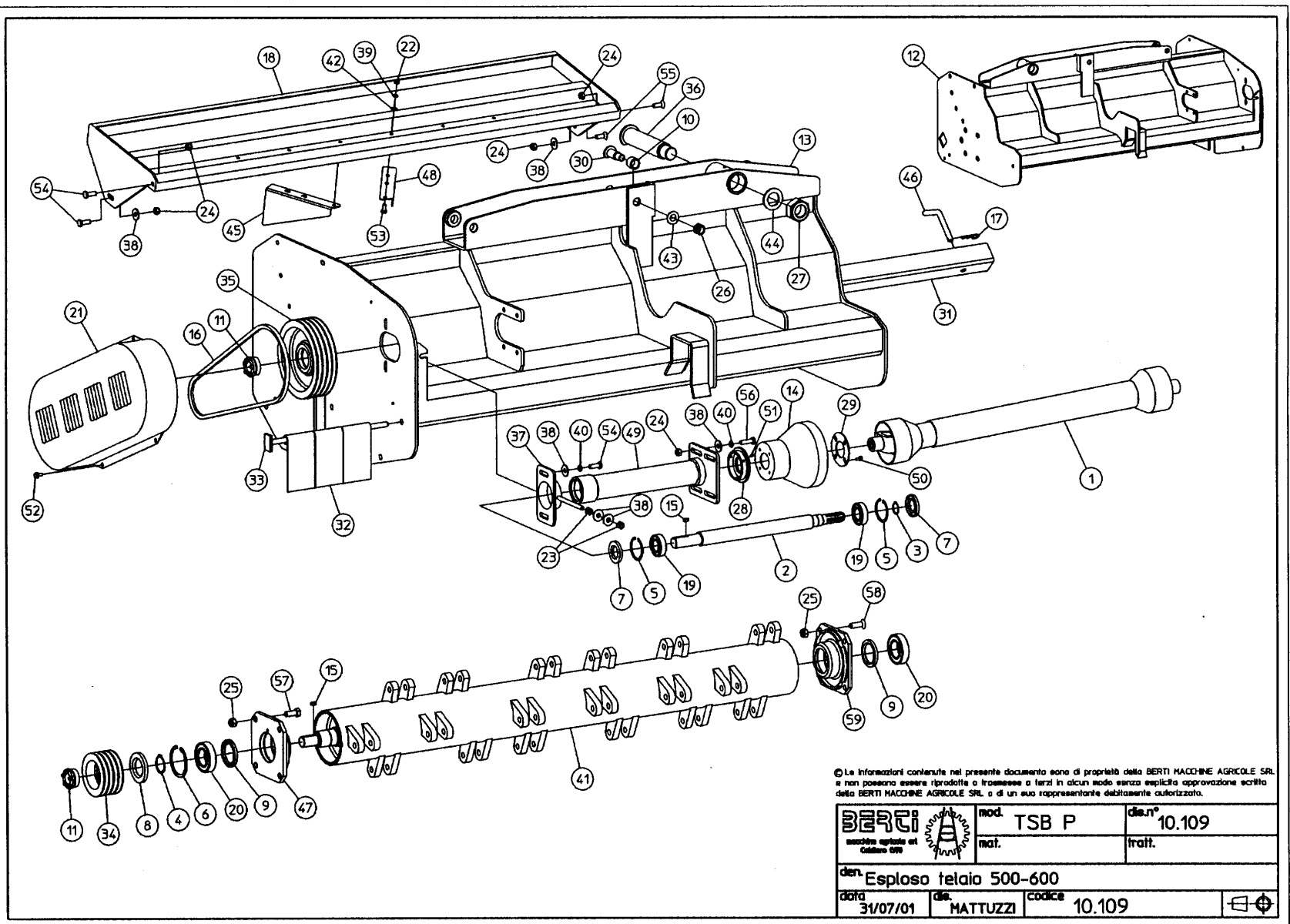


© Le informazioni contenute nel presente documento sono di proprietà della BERTI MACCHINE AGRICOLE SRL e non possono essere riprodotte o trasmesse o terzi in alcun modo senza esplicita approvazione scritta della BERTI MACCHINE AGRICOLE SRL o di un suo rappresentante debitamente autorizzato.


	mod. TSB P	dis.n° 10.110
	mat.	tratt.

den. Esploso telaio 320-400		
data 31/07/01	dis. MATTUZZI	codice 10.110

Pos.	ITEM	TSB-P 320	TSB-P 400	Pos.	ITEM	TSB-P 320	TSB-P 400
1	UNIVERSAL JOINT SHAFT	ACP60L1200CE	ACP60L1200CE	43	GROWER WASHER	RG10XXARZ	RG10XXARZ
2	EXTENSION SHAFT		AP0500/1596	44	GROWER WASHER	RG14XXARN	RG14XXARN
3	GROOVED SHAFT	AS300/0123		45	GROWER WASHER	RG16XXARN	RG16XXARN
4	SEEGER RING		ASE040	46	ROTOR	RC159160/1785	RC159200/1787
5	SEEGER RING	ASE060	ASE060	47	WASHER	RP10XXFZ	RP10XXFZ
6	SEEGER RING	ASI080	ASI080	48	WASHER	RP488005	RP488005
7	SEEGER RING	ASI110	ASI110	49	RH FIN	SDL340TSB/0253	SDL340TSB/0253
8	SEAL RING		AT04008010	50	PIN	SP/1857	SP/1857
9	SEAL RING	AT06011012	AT06011012	51	ROTOR SUPPORT	SR159/0026	SR159/0026
10	SEAL RING	AT07010010	AT07010010	52	ROTOR SUPPORT	SR159/0122	SR159/0122
11	BUSHING	BU/1665	BU/1665	53	LH FIN	SSL340TSB/0253	SSL340TSB/0253
12	CENTRE LOCK	CA4065	CA4065	54	RH SUPPORT (as from the drawing)	STDX/0135	
13	RH CHASSIS	CCD160/1601	CCD200/1601		LH SUPPORT	STXS/0135	
14	LH CHASSIS	CCS160/1601	CCS200/1601	55	EXTENSION TUBE		TP0500/1595
15	PTO CONE	CC005	CC005	56	SCREW	V0801202TF109Z	V0801202TF109Z
16	KEY 12x8x20	CH1208020	CH1208020	57	SCREW	V08163TF129N	V08163TF129Z
17	BELT	CIXPB1700	CIXPB1700	58	SCREW	V100162TF109Z	V100162TF109Z
18	COTTER PIN	CM04Z	CM04Z	59	SCREW	V100252TF088Z	V100252TF088Z
19	HOOD	CO160/1374	CO200/1374	60	SCREW	V140402TF088N	V140402TF088N
20	BEARING		COR22208	61	SCREW	V140403TF109N	V140403TF109N
21	BEARING	COR22212	COR22212	62	SCREW	V140502PF109N	V140502PF109N
22	BEARING	CRS062082RS		63	SCREW	V160452TF088N	V160452TF088N
23	RH COVER (as from the drawing)	CT/0186	CT/0186	64	SCREW	V180553TF109N	V180503TF109N
	LH COVER	CTSX/0186	CTSX/0186				
24	NUT	DE10AL6SPGZ	DE10AL6SPGZ				
25	NUT	DE14AL6SPGN	DE14AL6SPGN				
26	SELF LOCKING NUT	DE14AL6SPGZAB	DE14AL6SPGZAB				
27	SELF LOCKING NUT	DE18AL6SPGZAB	DE18AL6SPGZAB				
28	SELF LOCKING NUT	DE24BA6SPFZAB	DE24BA6SPFZAB				
29	SELF LOCKING NUT	DE48BA6SPFZAB	DE48BA6SPFZAB				
30	FLANGE PTO CONE	FC/1597	FC/1597				
31	FLANGE	FR/1338	FR/1338				
32	GREASER	IN101XXDR	IN101XXDR				
33	PIN	PA/1599	PA/1599				
34	PARK. STAND	PA/1661	PA/1661				
35	FLAP	PA05/1342	PA05/1342				
36	FLAPS ROD	PE0181630	PE0182030				
37	PULLEY	PG150G4	PG150G4				
38	PULLEY	PG280G4	PG280G4				
39	PIN	PS/1589	PS/1589				
40	BELT ADJUSTER		PT08/0650				
41	WASHER	RF1442FN	RF1442FN				
42	WASHER	RF2653FZ	RF2653FZ				



© Le informazioni contenute nel presente documento sono di proprietà della BERTI MACCHINE AGRICOLE SRL e non possono essere riprodotte o trasmesse a terzi in alcun modo senza esplicita approvazione scritta della BERTI MACCHINE AGRICOLE SRL o di un suo rappresentante debitamente autorizzato.

 BERTI macchine agricole srl Caldero (VR)	mod.	TSB P	dis.n°	10.109
	mat.		tratt.	
den. Esploso telaio 500-600				
data	dis.	codice		
31/07/01	MATTUZZI	10.109		

Codes list:

Mod. TSB P 500-600

fig. 10.109

BERTI MACCHINE AGRICOLE srl

Pos.	ITEM	TSB/P 500	TSB/P 600	Pos.	ITEM	TSB-P 500	TSB-P 600
1	UNIVERSAL JOINT SHAFT	ACP60L1200CE	ACP60L1200CE	41	ROTOR	RC203250/1792	RC203300/1795
2	SHAFT	AP1000/1596	AP1500/1596	42	WASHER, galv.	RP10XXFZ	RP10XXFZ
3	SEEGER RING	ASE040	ASE040	43	WASHER	RP26XXFZ	RP26XXFZ
4	SEEGER RING	ASE060	ASE060	44	WASHER	RP488005	RP488005
5	SEEGER RING	ASI080	ASI080	45	RH FIN	SDL340TSB/0253	SDL340TSB/0253
6	SEEGER RING	ASI110	ASI110	46	PIN	SP/1857	SP/1857
7	SEAL RING	AT04008010	AT04008010	47	ROTOR HOUSING	SR203/027	SR203/027
8	SEAL RING	AT06011012	AT06011012	48	LH FIN	SSL340TSB/0253	SSL340TSB/0253
9	SEAL RING	AT07010010	AT07010010	49	EXTENSION TUBE	TP1000/1595	TP1500/1595
10	BUSHING	BU/1665	BU/1665	50	BOLT, flanged	V0801202TF109Z	V0801202TF109Z
11	CENTER LOCK	CA4065	CA4065	51	BOLT STEI	V08163PG129Z	V08163PG129Z
12	LH CHASSIS	CC250/1601	CCS300/1601	52	BOLT, flanged	V100162TF109Z	V100162TF109Z
13	RH CHASSIS	CC250/1601	CCD300/1601	53	BOLT	V100252TF088Z	V100252TF088Z
14	PTO CONE	CC005	CC005	54	BOLT	V140402TF088N	V140402TF088N
15	KEY 12x8x20	CH1208020	CH1208020	55	BOLT TSPEI	V140403TF109N	V140403TF109N
16	BELT	CIXPB1800	CIXPB1800	56	BOLT	V140502PF109N	V140502PF109N
17	PIN	CM04Z	CM04Z	57	BOLT	V160452TF088N	V160452TF088N
18	TAILGATE	CO250/1375	CO300/1375	58	BOLT TSPEI	V180553TF109N	V180553TF109N
19	BEARING	COR22208E	COR22208E	59	ROTOR HOUSING	SR203/1860	SR203/1860
20	BEARING	COR22212	COR22212				
21	LH COVER (as from drawing)	CTSX/0187	CTSX/0187				
	RH COVER	CT/0187	CT/0187				
22	NUT, galv.	DE10AL6SPGZ	DE10AL6SPGZ				
23	NUT	DE14AL6SPGN	DE14AL6SPGN				
24	NUT	DE14AL6SPGZAB	DE14AL6SPGZAB				
25	NUT	DE18AL6SPGZAB	DE18AL6SPGZAB				
26	NUT	DE24BA6SPFZAB	DE24BA6SPFZAB				
27	NUT	DE48BA6SPFZAB	DE48BA6SPFZAB				
28	FLANGE PTO CONE	FC/1597	FC/1597				
29	FLANGE	FR/1338	FR/1338				
30	PIN	PA/1599	PA/1599				
31	PARK. STAND	PA/1661	PA/1661				
32	FLAP	PA05/1342	PA05/1342				
33	FLAPS ROD	PE0182530	PE0183030				
34	PULLEY	PG212G5					
	PULLEY		PG225G5				
35	PULLEY	PG225G5					
	PULLEY		PG212G5				
36	PIN	PS/1589	PS/1589				
37	BELTS ADJUSTER	PT08/0650	PT08/0650				
38	WASHER	RF1442FN	RF1442FN				
39	GROWER WASHER, galv.	RG10XXARZ	RG10XXARZ				
40	GROWER WASHER	RG14XXARN	RG14XXARN				

Mod. TSB/P timone

