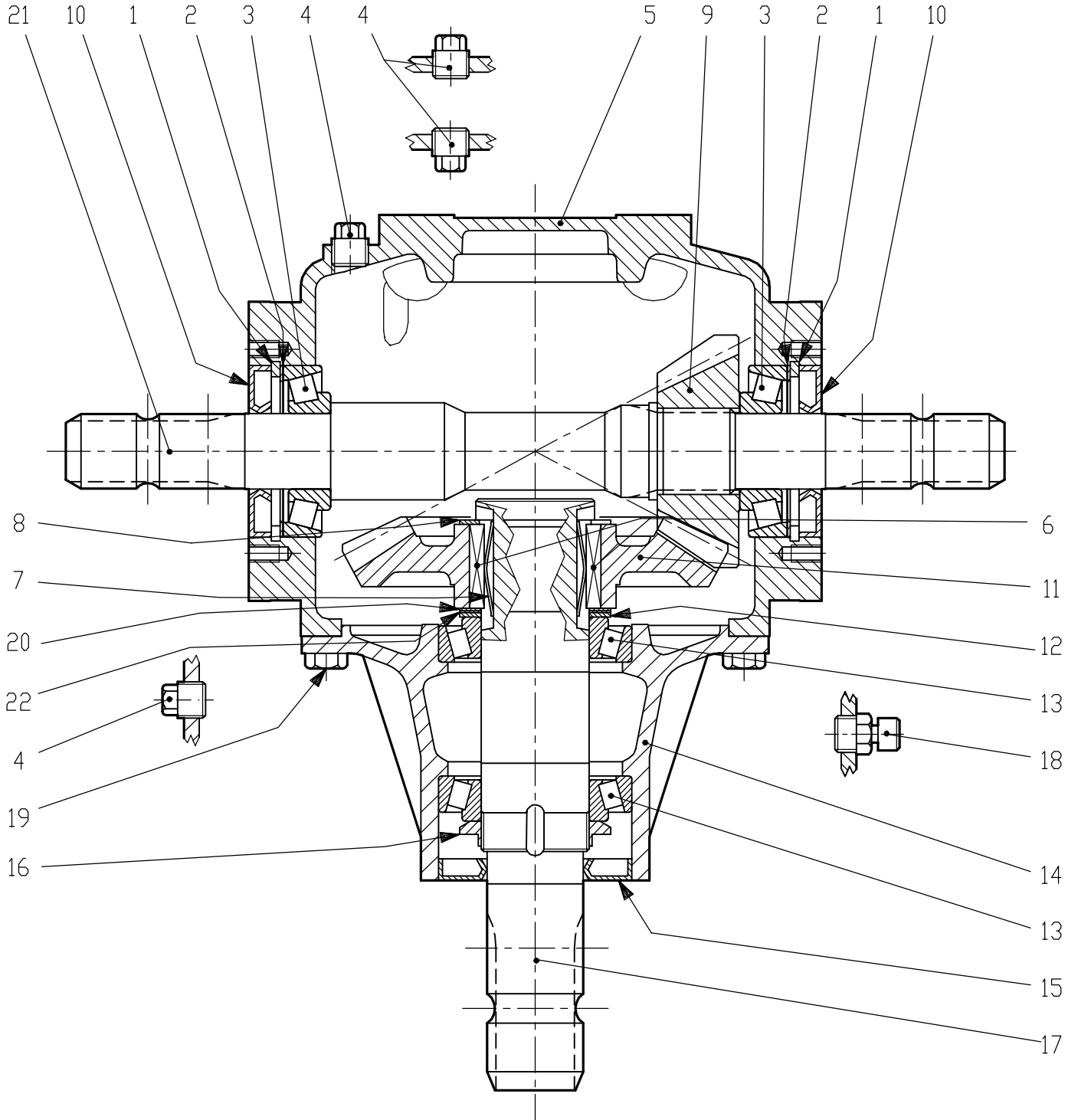


DITTA	RIF.	DENOMINAZIONE
		T-292 B
	DATA	CODICE
	05-08-99	292.205.00



DESIGNATION	GEAR BOX	T-292B	CODE N°	9.292.205.00
-------------	----------	--------	---------	--------------

POS.	DRG. N.	PIEC	DESCRIPTION
------	---------	------	-------------

1	8.5.2.01370	2	SNAP RING 80 UNI7438
2	0.110.7500.00	2	SHIM 79,7
3	8.0.9.00129	2	BEARING 30307
4	8.6.5.00006	4	PLUG 3/8"GAS
5	0.292.0301.00	1	CASING
6	0.269.7119.00	2	PARALLEL KEY
7	0.269.7120.00	2	SPRING .
8	8.5.1.00928	1	SNAP RING 55 UNI7436
9	0.272.6000.00	1	PINION Z15 M6.35
10	8.7.3.00081	2	OIL SEAL 35X80X10
11	0.292.6201.00	1	CROWN WHEEL M.6.35
12	0.301.7104.00	1	SPACER
13	8.0.9.00469	2	BEARING 30210
14	0.292.1310.00	1	EXTENSION
15	8.7.3.01059	1	OIL SEAL 45X90X10
16	0.781.7102.00	1	NUT M50X1.5
17	0.292.2203.00	1	SHAFT 1"3/4 Z6
18	8.6.7.00161	1	OIL FILLER PLUG 3/8"GAS
19	8.1.1.00501	8	BOLT M10X22 8,8
20	0.712.7510.00	2	SHIM 50.3x1.0
21	0.292.3000.00	1	SHAFT 1"3/8 Z6
22	0.712.7500.00	1	SHIM 70.3