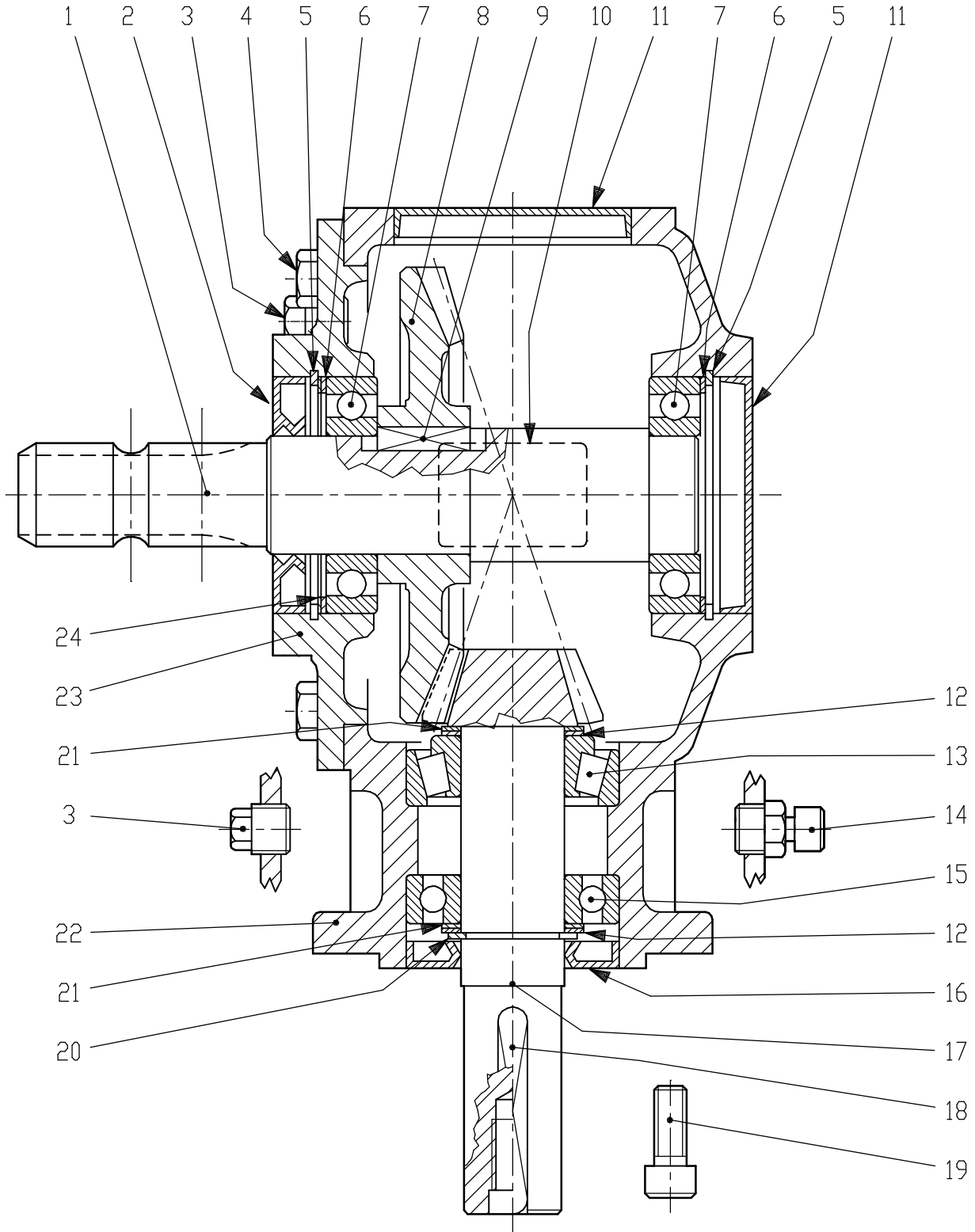


DITTA	RIF.	DENOMINAZIONE	T-311 A
	DATA	CODICE	311.724.00
	25-05-2000		



S.d.M.  
01.8029

DESIGNATION      GEAR BOX      T-311A

CODE N°      9.311.724.00

POS.	DRG. N.	PIEC	DESCRIPTION
1	0.304.3000.00	1	SHAFT
2	8.7.1.00748	1	DOUBLE LIP SEAL      40X80X12
3	8.6.5.00006	3	PLUG      3/8"GAS
4	8.1.1.00061	8	BOLT      M10X25 8,8
5	8.5.2.00030	2	SNAP RING      80 UNI7437
6	0.267.7500.00	2	SHIM      79.9
7	8.0.1.00871	2	BEARING      6208
8	0.244.6204.00	1	CROWN WHEEL      Z36 M4,35
9	8.4.1.01141	1	PARALLEL KEY      B 12X8X30
10	0.124.7101.00	1	PLATE
11	8.7.0.00790	2	CAP      80X10
12	0.259.7500.00	2	SHIM      48.0
13	8.0.9.00127	1	BEARING      32207
14	8.6.7.00161	1	OIL FILLER PLUG      3/8"GAS
15	8.0.1.00870	1	BEARING      6207
16	8.7.3.00055	1	OIL SEAL      35X72X10
17	0.304.5011.00	1	PINION SHAFT      Z.12 M4.35
18	8.4.1.01689	1	PARALLEL KEY      A10X8X65
19	8.1.2.00311	4	BOLT      M12X30 8,8
20	8.5.1.00583	1	SNAP RING      35 UNI7436
21	0.259.7513.00	2	SHIM      35.3x1.3
22	0.311.0300.00	1	CASING
23	0.311.1300.00	1	COVER
24	0.267.7510.00	2	SHIM      79.7x1.0