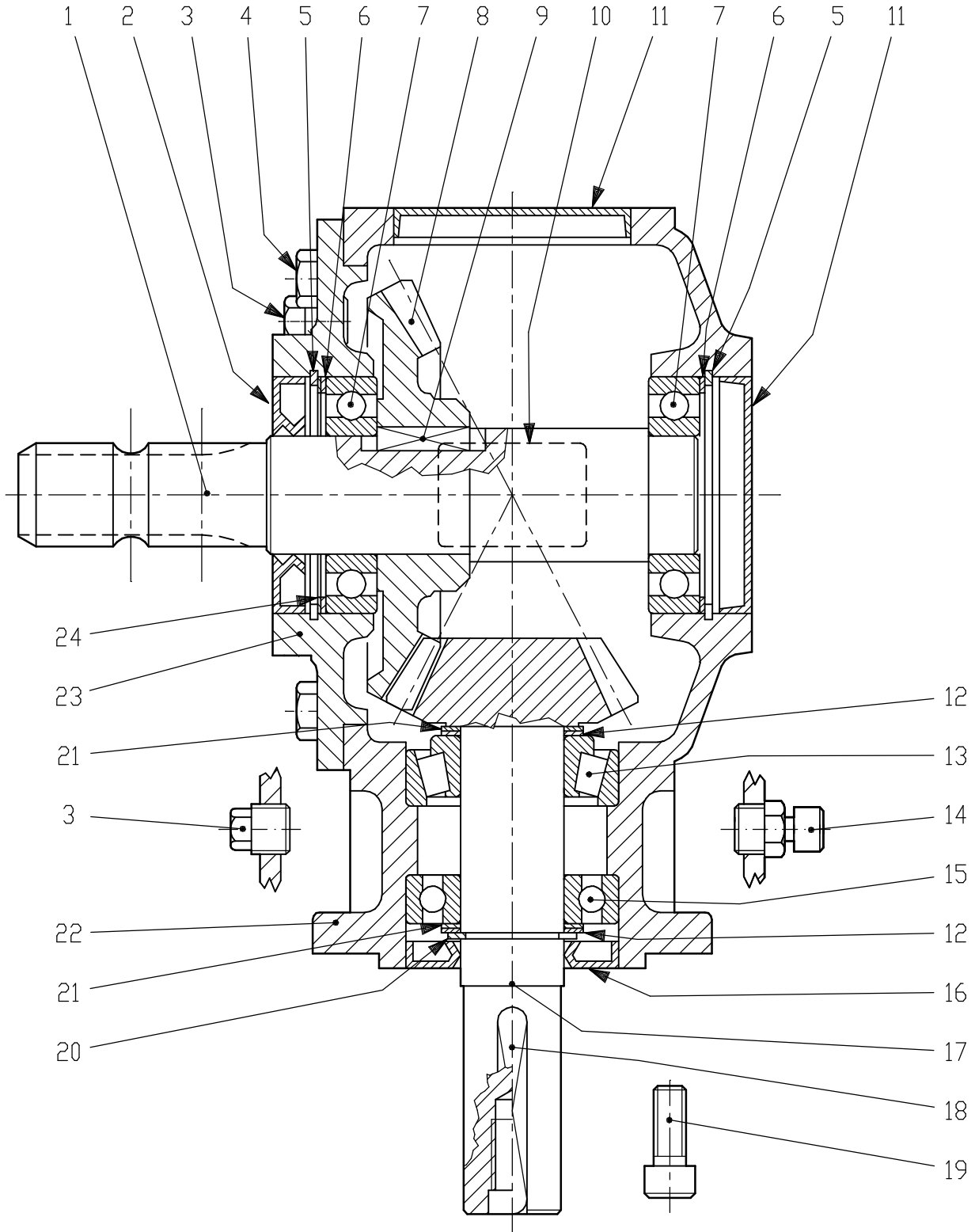


DITTA	RIF.	DENOMINAZIONE	T-311 A
	DATA	30-08-2000	CODICE



S.d.M.  
01.8029

DESIGNATION GEAR BOX T-311A

CODE N° 9.311.730.00

POS.	DRG. N.	PIEC	DESCRIPTION
------	---------	------	-------------

1	0.304.3000.00	1	SHAFT
2	8.7.1.00748	1	DOUBLE LIP SEAL 40X80X12
3	8.6.5.00006	3	PLUG 3/8"GAS
4	8.1.1.00061	8	BOLT M10X25 8,8
5	8.5.2.00030	2	SNAP RING 80 UNI7437
6	0.267.7500.00	2	SHIM 79.9
7	8.0.1.00871	2	BEARING 6208
8	0.304.6000.00	1	CROWN WHEEL Z.29 M.5
9	8.4.1.01141	1	PARALLEL KEY B 12X8X30
10	0.124.7101.00	1	PLATE
11	8.7.0.00790	2	CAP 80X10
12	0.259.7513.00	2	SHIM 35.3x1.3
13	8.0.9.00127	1	BEARING 32207
14	8.6.7.00161	1	OIL FILLER PLUG 3/8"GAS
15	8.0.1.00870	1	BEARING 6207
16	8.7.3.00055	1	OIL SEAL 35X72X10
17	0.304.5013.00	1	PINION SHAFT Z.15 M.5
18	8.4.1.01689	1	PARALLEL KEY A10X8X65
19	8.1.2.00311	4	BOLT M12X30 8,8
20	8.5.1.00583	1	SNAP RING 35 UNI7436
21	0.259.7500.00	2	SHIM 35.3x48.0
22	0.311.0300.00	1	CASING
23	0.311.1300.00	1	COVER
24	0.267.7510.00	1	SHIM 79.7x1.0