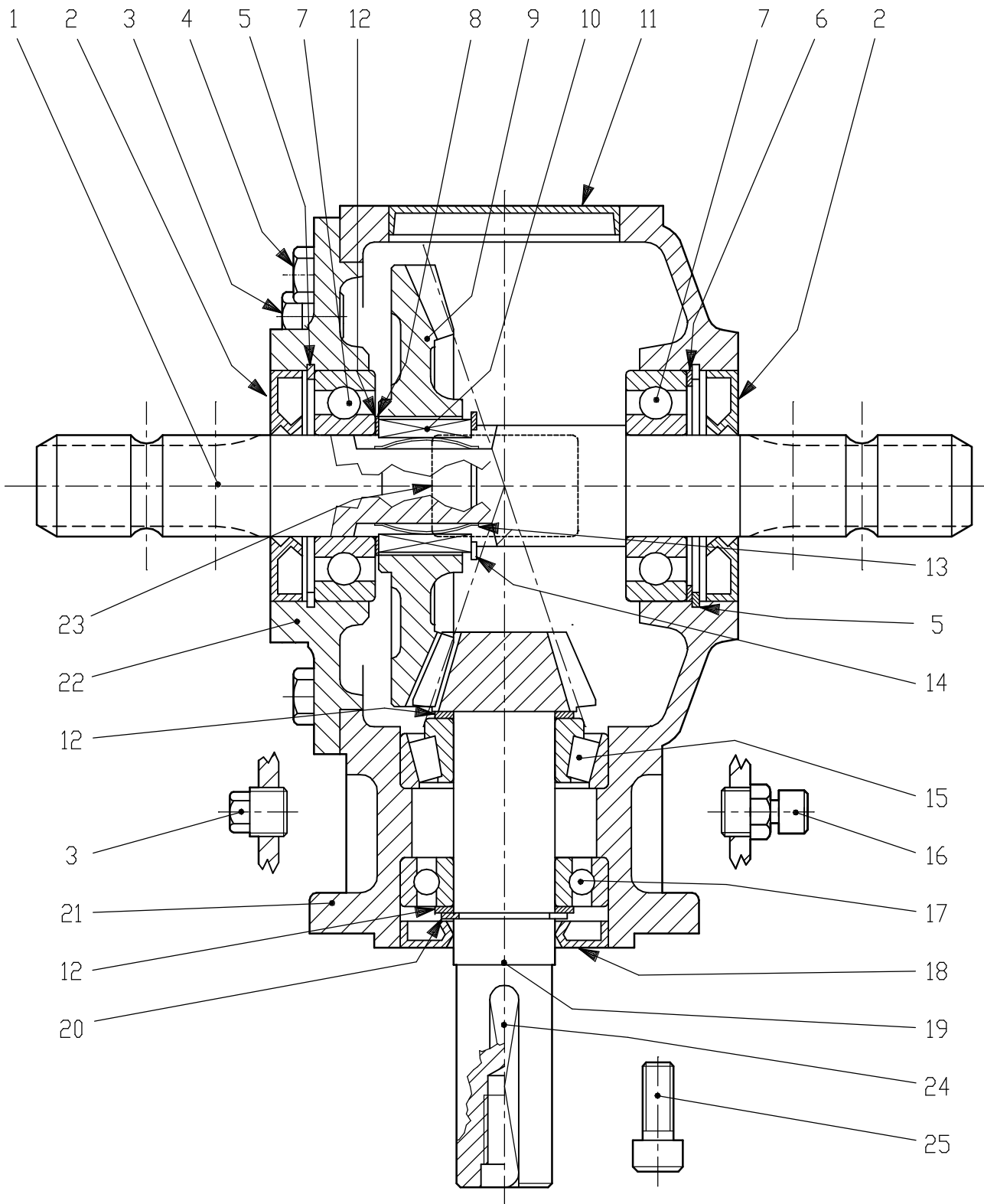


DITTA

RIF.
DATA
20-05-2003

DENOMINAZIONE	T-311A
CODICE	311.615.00



S.d.M.
01.8722

DESIGNATION	GEAR BOX	T-311A
-------------	----------	--------

CODE N°	9.311.615.00
---------	--------------

POS.	DRG. N.	PIEC	DESCRIPTION
1	0.311.4200.00	1	SHAFT L. 1"3/8 Z6
2	8.7.1.00315	1	DOUBLE LIP SEAL 35X80 X10
3	8.6.5.00006	3	PLUG 3/8"GAS
4	8.1.1.00061	8	BOLT M10X25 8,8
5	8.5.2.00030	2	SNAP RING 80 UNI7437
6	0.267.7500.00	1	SHIM 79.9
7	8.0.1.00049	2	BALL BEARING 6307
8	0.259.7510.00	1	SHIM 35.3x1
9	0.311.6200.00	1	CROWN WHEEL M4.35
10	0.267.7109.00	2	PARALLEL KEY
11	8.7.0.00790	1	CAP 80X10
12	0.259.7500.00	3	SHIM 35.3x48.0
13	0.267.7110.00	2	SPRING
14	8.5.1.00712	1	SNAP RING 42 UNI7435
15	8.0.9.00127	1	BEARING 32207
16	8.6.7.00161	1	OIL FILLER PLUG 3/8"GAS
17	8.0.1.00870	1	BEARING 6207
18	8.7.3.00055	1	OIL SEAL 35X72X10
19	0.304.5011.00	1	PINION SHAFT Z.12 M4.35
20	8.5.1.00583	1	SNAP RING 35 UNI7436
21	0.311.0300.00	1	CASING
22	0.311.1300.00	1	COVER
23	0.124.7101.00	1	PLATE
24	8.4.1.01689	1	PARALLEL KEY A10X8X65
25	8.1.2.00311	4	BOLT M12X30 8,8