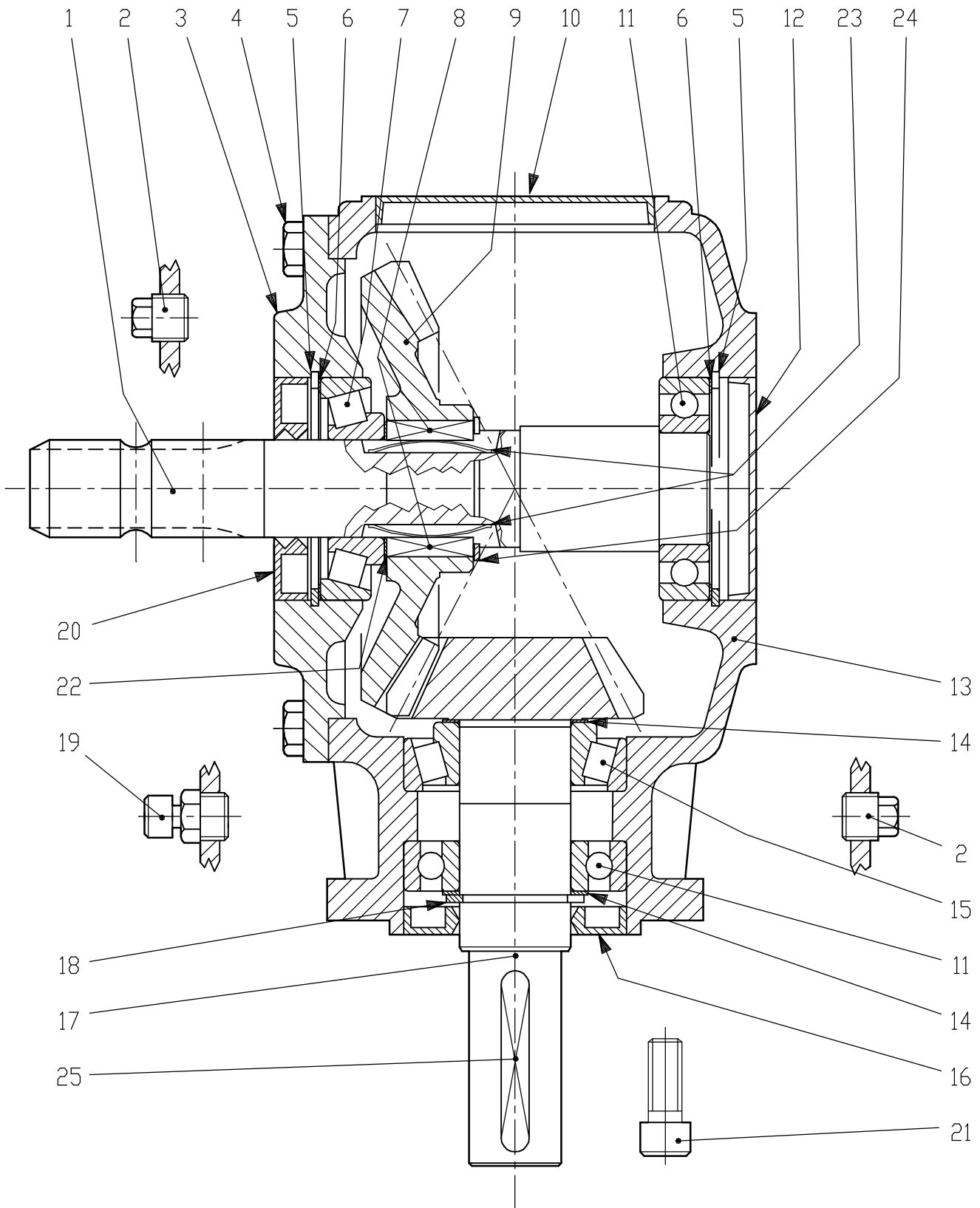


DITTA

RIF.
DATA
10-09-2003

DENOMINAZIONE	T-312A
CODICE	312.768.10



S.d.M.
10.8242

DESIGNATION GEAR BOX T-312A

CODE N° 9.312.768.10

POS.	DRG. N.	PIEC	DESCRIPTION
------	---------	------	-------------

1	0.312.3005.00	1	SHAFT 1"3/8 Z6
2	8.6.5.00006	3	PLUG 3/8"GAS
3	0.312.1300.00	1	COVER
4	8.1.1.00061	8	BOLT M10X25 8,8
5	8.5.2.00030	2	SNAP RING 80 UNI7437
6	0.267.7500.00	2	SHIM 79.9
7	8.0.9.00129	1	BEARING 30307
8	0.267.7109.00	2	PARALLEL KEY FW
9	0.312.6008.00	1	CROWN WHEEL Z29 M5.68
10	8.7.0.00975	1	CAP 100x10
11	8.0.1.00871	2	BEARING 6208
12	8.7.0.00790	1	CAP 80X10
13	0.312.0300.00	1	CASING
14	0.244.7500.00	2	SHIM KIT 40.3x51.5
15	8.0.9.00102	1	BEARING 32208
16	8.7.3.00027	1	OIL SEAL 40X80X10
17	0.312.5000.00	1	PINION SHAFT Z15 M5.68
18	8.5.1.00680	1	SNAP RING 40 UNI7436
19	8.6.7.00161	1	OIL FILLER PLUG 3/8"GAS
20	8.7.1.00315	1	DOUBLE LIP SEAL 35X80 X10
21	8.1.2.00311	4	BOLT M12X30 8,8
22	0.259.7510.00	1	SHIM 35.3x1
23	0.267.7110.00	2	SPRING
24	8.5.1.00712	1	SNAP RING 42 UNI7435
25	8.4.1.01689	1	PARALLEL KEY A10X8X65