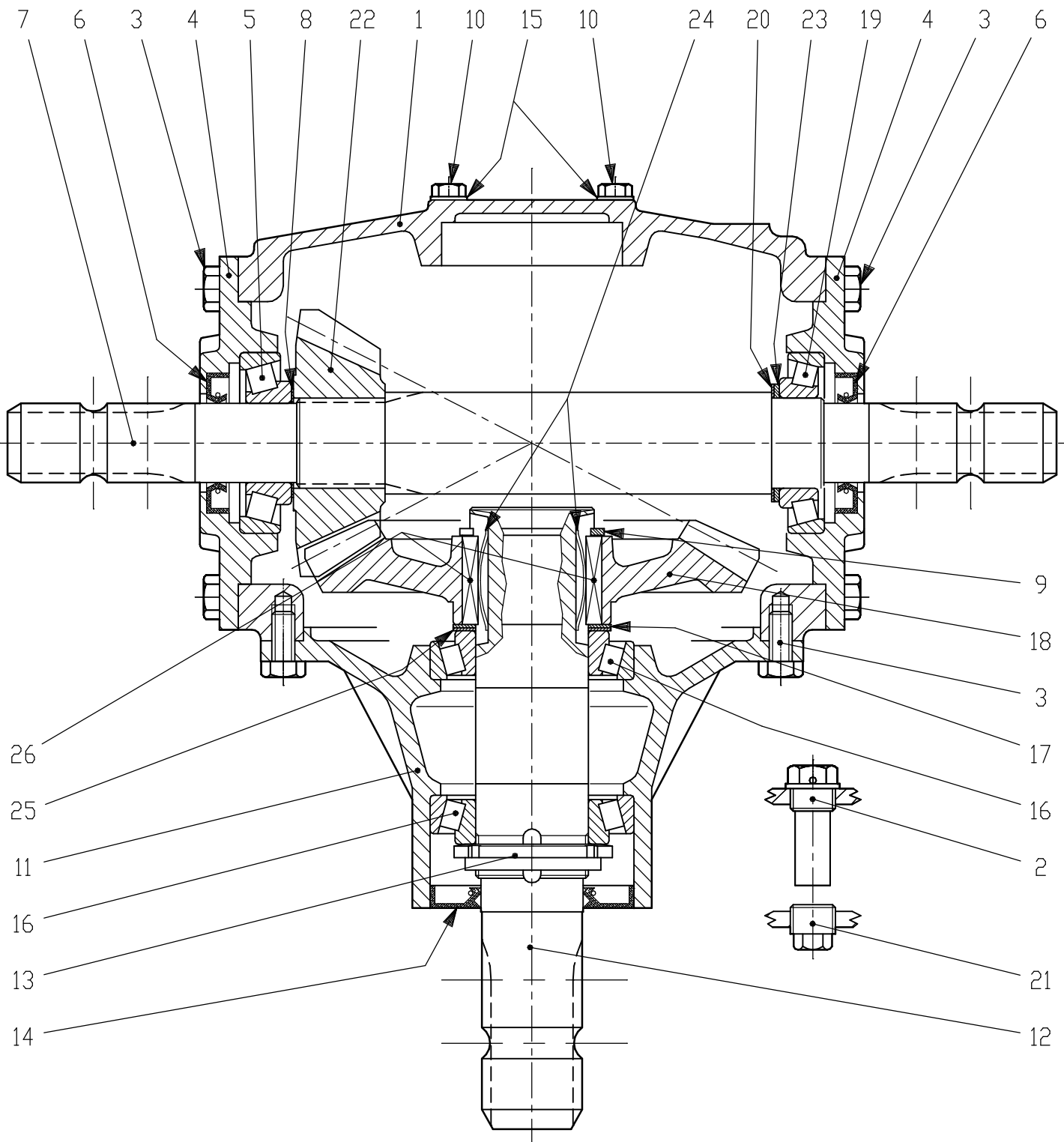


DITTA

RIF.
DATA
08-09-2003

DENOMINAZIONE	T-269B
CODICE	269.220.00



S.d.M.
01.8362

DESIGNATION GEAR BOX T-269B

CODE N° 9.269.220.00

POS.	DRG. N.	PIEC	DESCRIPTION
------	---------	------	-------------

1	0.269.0701.00	1	CASING
2	0.721.7103.00	1	OIL FILLER PLUG 1/2"GAS
3	8.1.1.00501	24	BOLT M10X22 8,8
4	0.269.1301.00	2	COVER
5	8.0.9.00129	1	BEARING 30307
6	8.7.3.00003	2	OIL SEAL 35X62X10
7	0.269.3003.00	1	SHAFT 1 3/8"
8	0.259.7500.00	1	SHIM 35.3x48.0
9	8.5.1.00928	1	SNAP RING 55 UNI7436
10	8.1.1.00343	2	BOLT M8X14 8,8
11	0.269.1306.00	1	EXTENSION
12	0.292.2203.00	1	SHAFT 1"3/4 Z6
13	0.781.7102.00	1	NUT M50X1.5
14	8.7.3.01059	1	OIL SEAL 45X90X10
15	8.3.3.00384	2	COPPER WASHER 8,4X14X1
16	8.0.9.00469	2	BEARING 30210
17	0.712.7510.00	1	SHIM 50.3x1.0
18	0.269.6205.00	1	CROWN WHEEL Z29 M6.9
19	8.0.9.00024	1	BEARING 30208
20	0.244.7500.00	1	SHIM KIT 40.3x51.5
21	8.6.5.00203	1	PLUG 1/2"GAS
22	0.262.5000.00	1	PINION Z15 M6,9
23	0.244.7525.00	1	SHIM 40.3x2.5
24	0.269.7120.00	2	SPRING F.W.
25	0.712.7500.00	1	SHIM 70.3
26	0.269.7119.00	2	PARALLEL KEY F.W.