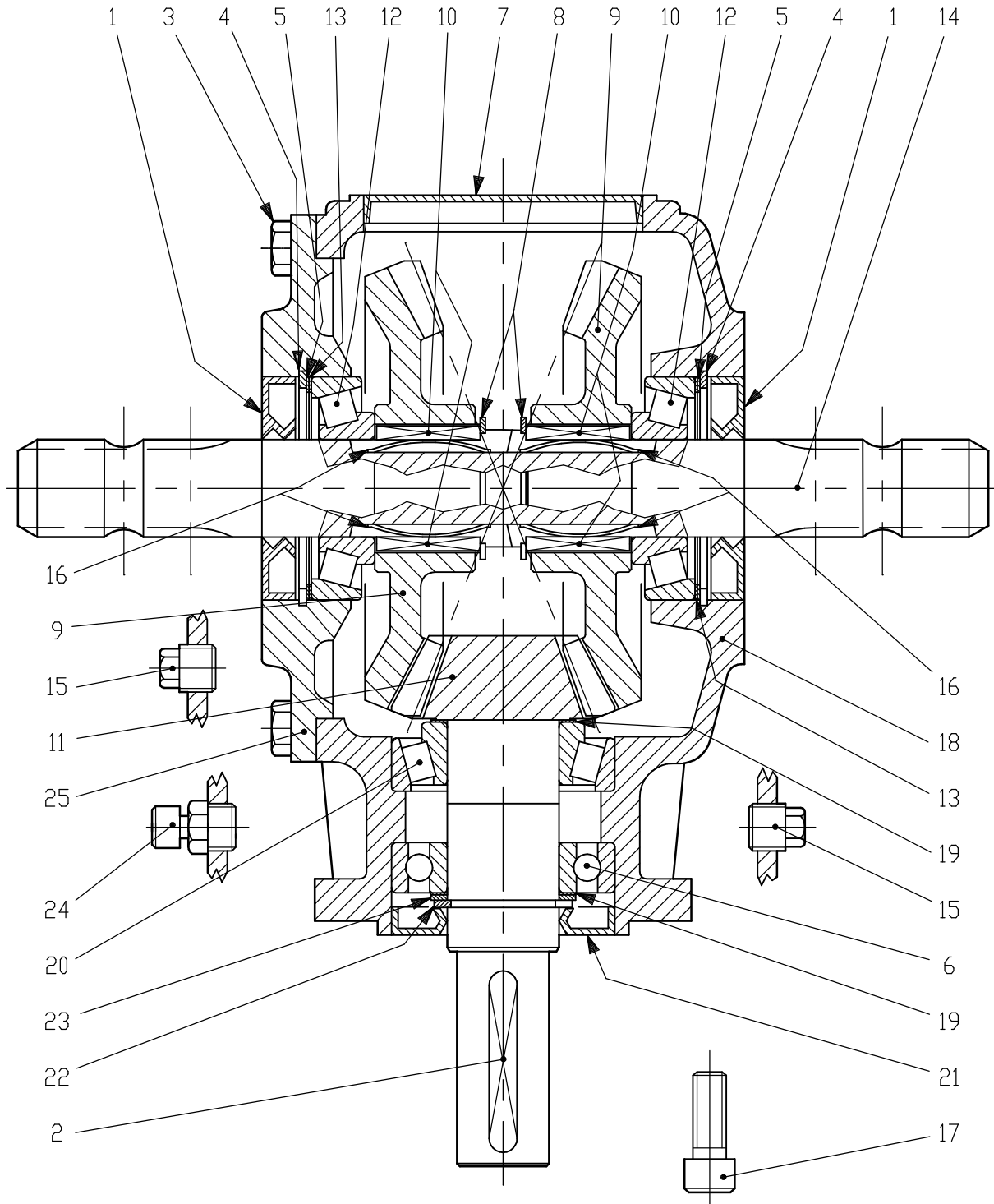


DITTA	RIF.	DENOMINAZIONE T-312A
	DATA 11-04-2006	CODICE 9.312.602.00



S.d.M.
00.0000

DESIGNATION	GEAR BOX	T-312A
-------------	----------	--------

CODE N°	9.312.602.00
---------	--------------

POS.	DRG. N.	PIEC	DESCRIPTION
------	---------	------	-------------

1	8.7.1.00315	2	DOUBLE LIP SEAL 35X80X10
2	8.4.1.01689	1	PARALLEL KEY A10X8X65
3	8.1.1.00061	8	BOLT M10X25 8,8
4	8.5.2.00030	2	SNAP RING 80 UNI7437
5	0.267.7500.00	2	SHIM 79.9
6	8.0.1.00871	1	BEARING 6208
7	8.7.0.00975	1	CAP 100x10
8	8.5.1.00712	2	SNAP RING 42 UNI7435
9	0.312.6210.00	2	CROWN WHEEL Z36 M4.58
10	51.014.136	4	TANG
11	0.312.5001.00	1	PINION SHAFT Z12 M5.5
12	8.0.9.00129	2	BEARING 30307
13	0.267.7510.00	2	SHIM 79.7x1.0
14	0.312.4207.00	1	SHAFT 1"3/8 Z6
15	8.6.5.00006	3	PLUG 3/8"GAS
16	0.269.7120.00	4	SPRING
17	8.1.2.00311	4	BOLT M12X30 8,8
18	0.312.0300.00	1	CASING T-312
19	0.244.7500.00	2	SHIM KIT 40.3x51.5
20	8.0.9.00102	1	BEARING 32208
21	8.7.3.00027	1	OIL SEAL 40X80X10
22	8.5.1.00680	1	SNAP RING 40 UNI7436
23	0.244.7515.00	1	SHIM 40.3x1.5
24	8.6.7.00161	1	OIL FILLER PLUG 3/8"GAS
25	0.312.1300.00	1	COVER